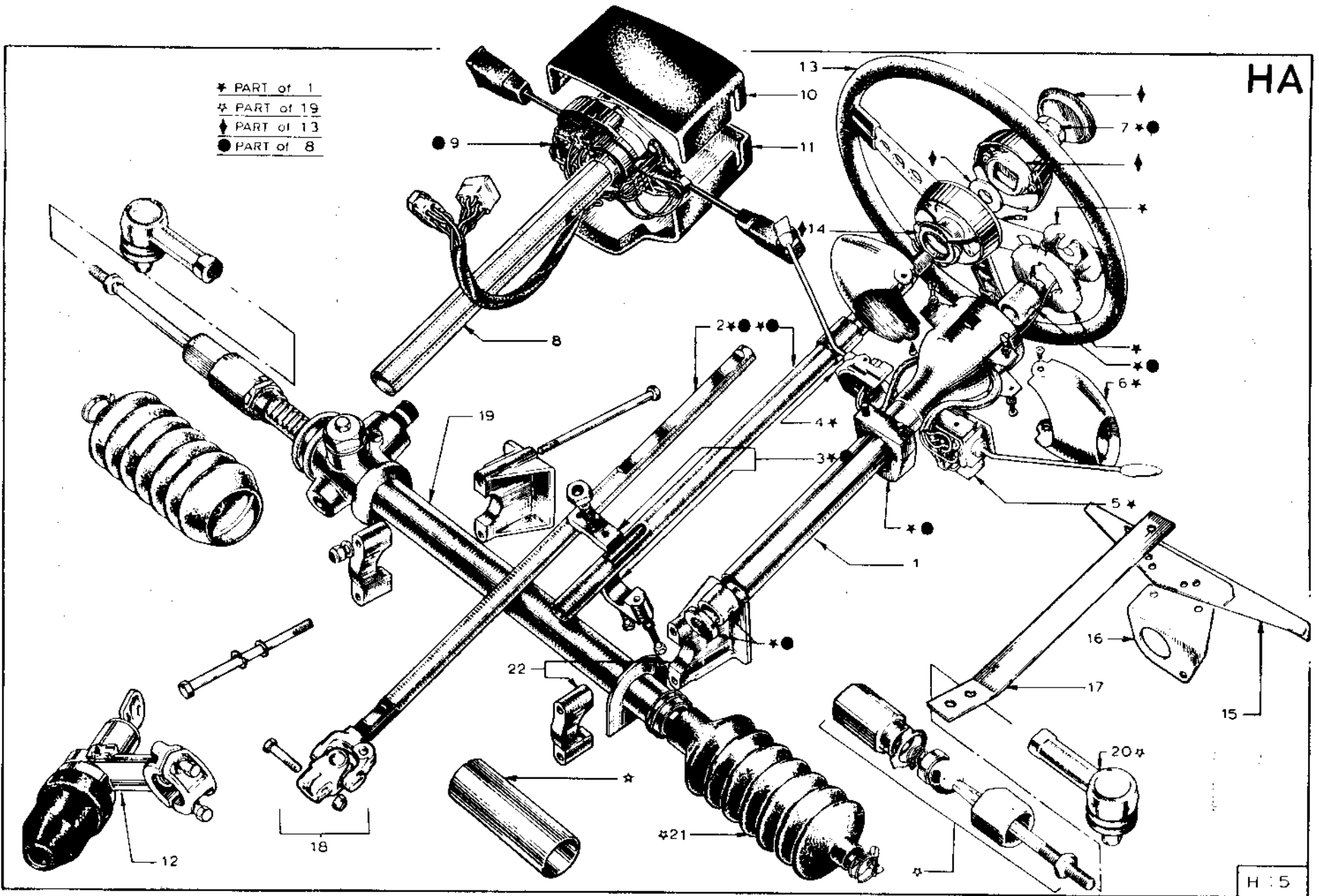


HA

- ★ PART of 1
- ☆ PART of 19
- ◆ PART of 13
- PART of 8



H:5

PLATE Ref: No.	PART NO.	QUANTITY					STEERING		DESCRIPTION	CHANGE POINT	BULLETIN REF.
		ALL	T/C	T/C Fed.	Special	Spec. Fed.	LH	RH			
HA1	X054 H 0730W		1		1			*	Assembly. Column,		
	X054 H 0731W		1	1	1			*	Assembly. Column, comprising:		
HA2	X046 H 6003Z	1							Column. Lower Inner,		
HA3	X036 H 6038Z	1							Clamp. Impact,		
HA4	A036 H 6078Z		1	1	1			*	Switch. Indicators,		
HA5	X046 M 6183Z		1	1	1			*	Switch. Dip and Flasher, replaced by,		
	A036 H 6075Z		1		1			*	Switch. Dip and Flasher,		
	A036 H 6076Z		1	1	1			*	Switch. Dip and Flasher,		
HA6	X036 H 6033Z		2	2	2			*	Escutcheon.		
	A036 H 6066Z		1	1	1			*	Transfer. Lights,		
	A036 H 6067Z		1		1			*	Transfer. Lights,		
	A036 H 6068Z		1	1	1			*	Transfer. Indicators,		
	A036 H 6069Z		1		1			*	Transfer. Indicators,		
	A036 H 6077Z		2	2	2			*	Screw. Escutcheon Securing,		
HA7	X036 H 6035Z	1							Nut. Steering Wheel Securing,		
HA8	A074 H 0731W					1			Assembly Column. comprising, Column. Lower Inner, (item HA2) Clamp. Impact, (item HA3)		

PLATE	PART NO.	QUANTITY					STEERING		DESCRIPTION	CHANGE POINT	BULLETIN REF.
		ALL	T/C	T/C Fed.	Special	Spec. Fed.	LH	RH			
Ref: No.											
HA9	A074 M 6019W					1			Nut. Steering Wheel Securing, (item HA7)		
HA10	A074 B 0935Z					1			Assembly. Steering Column Switch,		
HA11	A074 B 0937Z					1			Escutcheon. Upper,		
HA12	A036 H 6065Z		1		1		*	*	Escutcheon. Lower,		
	A036 H 6064Z			1		1			Lock. Steering Column,		
HA13	A036 H 6006Z		1	1	1		*	*	Lock. Steering Column,		
	A074 H 6007Z					1			Wheel. Steering,		
HA14	X036 H 6034Z	1							Wheel. Steering,		
HA15	A054 H 0031Z	1							Slip Ring.		
	303C	2							Bracket Support.		
	102	2							Screw. Securing,		
									Washer.		
HA16	A054 H 0067Z		1	1	1	1	*		Bracket. Anti-rotation,		
	A054 H 0066Z		1		1			*	Bracket. Anti-rotation,		
HA17	A074 H 0094Z		1		1			*	Bracket. Impact,		
	A074 H 0095Z		1	1	1	1	*		Bracket. Impact,		
HA18	A074 H 6000Z	1							Joint. Universal,		
HA19	B074 H 0703W		1	1	1	1	*		Assembly. Rack and Pinion,		
	B074 H 0704W		1		1			*	Assembly. Rack and Pinion,		
HA20	A074 H 0088Z	2							Assembly. Ball Joint,		
HA21	X036 H 6027Z	2							Bellows.		

PLATE Ref: No.	PART NO.	QUANTITY					STEERING		DESCRIPTION	CHANGE POINT	BULLETIN REF
		ALL	T/C	T/C Fed.	Special	Spec. Fed.	LH	RH			
HA22	X046 H 0015Y	2							Bracket. Rack and Pinion Mounting, Bolt. Bracket, Washer. Nut.		
	6C	4									
	110	4									
	208	4									