

4. Should the Company in their discretion carry out any extra work or supply any extra parts free of charge, they shall be under no legal liability of any kind in connection therewith, and the provisions of the Warranty shall not be in any way deemed to have been waived.

CLAIMS UNDER WARRANTY

Claims for the replacement of material or parts under Warranty must always be submitted to the supplying Distributor for the area concerned. All faulty material in the United Kingdom must be correctly labelled and returned to Lotus Cars (Service) Limited. For all other territories faulty material must be held by the supplying Distributor pending settlement of the claim. The Factory will NOT accept charges for the return of such parts or the packing or crating of the same. In all cases of claims under Warranty, the decision of Lotus Cars (Service) Limited is final.

1. No claim under Warranty will be accepted by the Company if after delivery:
 - a. Goods sold have been used in connection with motor racing or any motoring competition.

- b. Defective parts have been altered or identification numbers removed.
- c. Damage occurred through mishandling or misuse.
- d. Modifications that have been carried out on the vehicle which are outside the specifications provided for by the Company or when genuine parts have been replaced by parts of another origin.

2. The Company may reject a claim under Warranty unless:
 - a. Parts claimed to be defective are sent to the Company carriage paid promptly after discovery of the fault.
 - b. Parts are properly packed and labelled, with all necessary identification numbers recorded.
 - c. The purchaser furnishes full information as to the purchase of the goods and the nature of the claim.

INTRODUCTION

This publication contains all assemblies and parts sold as spares; it enables one to determine with precision their Part Numbers and to identify them from the illustrations.

Vehicle Chassis Number

The method of identifying a vehicle, whether Component-Built or Fully-Built, is by use of the Vehicle Chassis Number which is comprised of code numbers as shown below. The Vehicle Chassis Number will be found stamped on a plate which is fixed to the left-hand side of the engine bulkhead.

46/01234

'46' = Vehicle Type = Europa Series 1

'01234' = Chassis Number

Part Numbers

All Part Numbers commence with the Vehicle Type Number which enables one to determine if the part is peculiar to the Europa or whether it was first used for some other Lotus 'road' vehicle, thus:-

46, 54 = First used on Europa

26, 36, 45, 500 = First used on Elan

50 = First used on Elan + 2

Standard Hardware Part Numbers

All standard finish Bolts, Screws, Studs, Nuts and Washers carry Part Numbers in accordance with the code given on page 9.

Type change points:

Series 1 from Chassis Number 46/0001 to 46/0299 excluding 0270, 0271 & 0272

Series 1 Mk.1 from Chassis Number 46/0300 to 46/0644 including 0270, 0271 & 0272

Series 11 from Chassis Number 54/0645

* Series 11 Federal from Chassis Number 54/1066

The designations 'LEFT' and 'RIGHT' are to be understood as seen in the driving direction.

Indented parts in the 'DESCRIPTION' column are incorporated in the preceding - not indented - part.

The term 'optional' in the 'DESCRIPTION' column indicates that the respective parts will be supplied as available or in the case of repair sizes as requested.

If required, 'CHANGE POINTS', (i.e. CHASSIS, BODY or ENGINE Nos.) will be indicated in full in the 'CHANGE POINT' column.

If a part is applicable to all models or versions, the quantity is listed in the column 'ALL', but if a part is particular to a model or version then the quantity will be listed in the column of the models and the version indicated thus '+' in the respective column.

If a 'quantity per model' variance occurs the quantity will be indicated in the respective model or version.

All parts do not necessarily correspond to the illustrations.

All Lotus Parts Numbers are being 'updated' to contain a maximum of nine (9) digits.

Example: Part Number A46 B 040 becomes A046 B 0040

" A46 A 709 " A046 A 0709

" 54 B 6000 " 054 B 6000

When reading the text figure numbers will be shown against the illustrated side or hand.

Instructions on Ordering

1. Ascertain the exact model for which parts are required and obtain the chassis and engine numbers.
2. Refer to Pictorial Index Plate (page 10) and select Section(s) for which Part(s) are required.
3. Study the illustration and select Plate Reference Number(s).
4. Relate the Plate Reference Number to the Plate Reference Number of the Parts List text.
5. To select the exact part number of the Part(s) required,
 - a. read the 'QUANTITY' column using the model variant if applicable.
 - b. read the 'DESCRIPTION' column for correct order identification.
 - c. check the 'CHANGE POINT' column for any further information relating to the series or model type.
 - d. recheck the part number(s) selected, repeating instructions 3 to 5c inclusive.

Examples:

Europa Series 1 Chassis Number 46/0201

Part required - Bonnet

Section 'B' Plate 'BA'

Plate Reference Number - 'BA 4'

Supply Part Number 046 B 0030

Europa Series 11 Chassis Number 54/1616

Part required - Front Damper Assembly

Section 'C' Plate 'CA'

Plate Reference Number - 'CA 27'

Supply Part Number A046 C 0710

As from January, 1970 vehicle identification will be in the following form:-

7001.010001A Both chassis and body numbers being the same.
7001. Represents year and month of manufacture.
01 Represents the production batch.
0001 Represents the unit (chassis) number.
A Represents the model code.

As there are sixteen different model types within our present production control, the following codes will be used for correct model identification:-

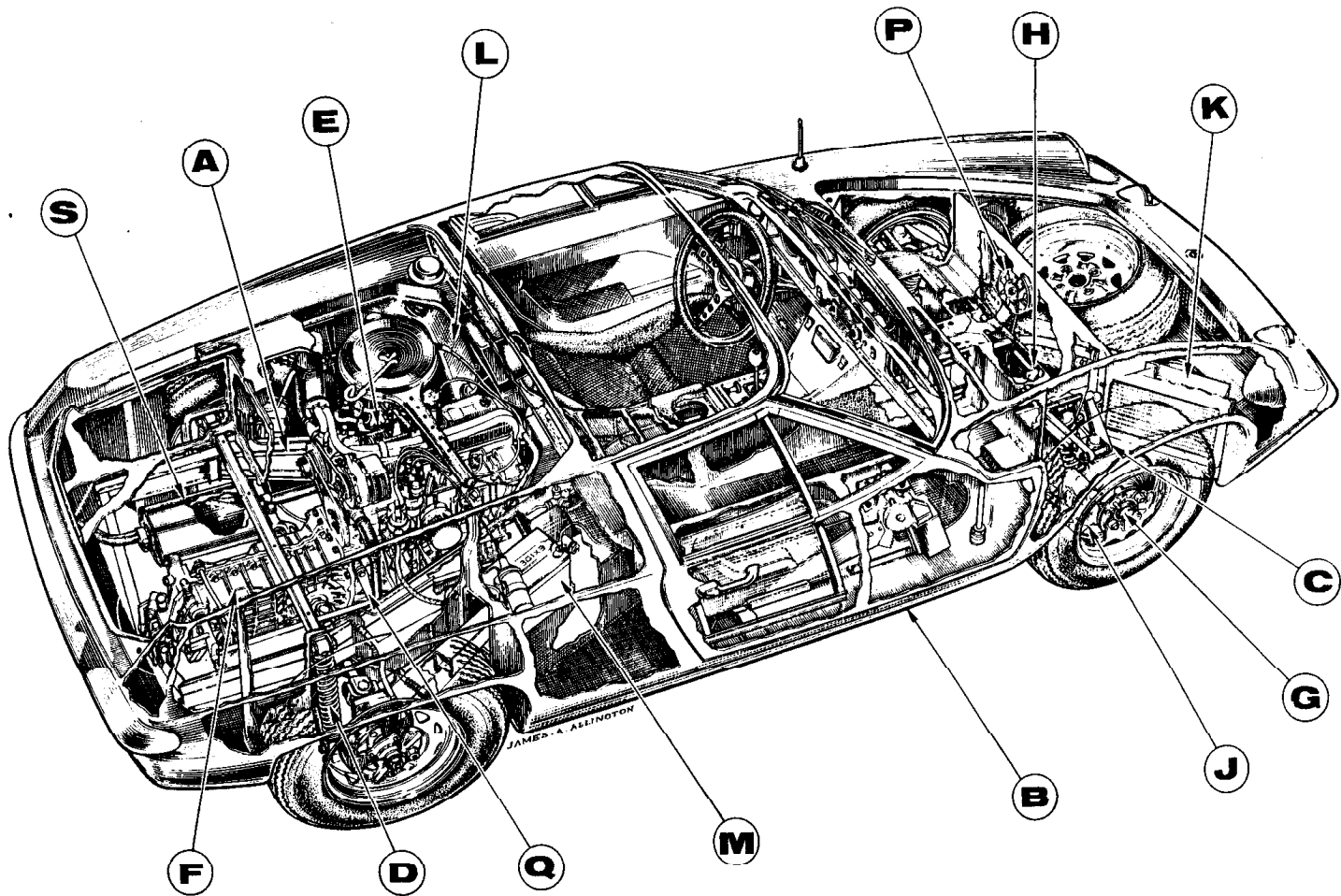
Elan Standard	Fixed Head	Great Britain & Northern Ireland	A
Elan Standard	Fixed Head	Export	B
Elan Standard	Drop Head	Great Britain & Northern Ireland	C
Elan Standard	Drop Head	Export	D
Elan Special Equip.	Fixed Head	Great Britain & Northern Ireland	E
Elan Special Equip.	Fixed Head	Export	F
Elan Special Equip.	Drop Head	Great Britain & Northern Ireland	G
Elan Special Equip.	Drop Head	Export	H
Elan Federal	Fixed Head	Export	J
Elan Federal	Drop Head	Export	K
Elan + 2 'S' Type		Great Britain & Northern Ireland	L
Elan + 2 'S' Type		Export	M
Elan + 2 'S' Type Federal		Export	N
Europa Standard		Great Britain & Northern Ireland	P
Europa Standard		Export	Q
Europa Federal		Export	R

PAINT, THINNERS ETC.

<u>Part No.</u>	<u>Quantity</u>	<u>Description</u>
LO.1.	AR	Paint - British Racing Green
LO.2.	AR	Paint - French Blue
LO.3.	AR	Paint - Wedgewood Blue
LO.4.	AR	Paint - Cirrus White
LO.5.	AR	Paint - Carnival Red
LO.6.	AR	Paint - Burnt Sand
LO.7.	AR	Paint - Lotus Yellow
LO.8.	AR	Paint - Matt Black
LO.9.	AR	Paint - Royal Blue
LO.10.	AR	Paint - Bahama Yellow
36 B 6135	AR	Rag filler, medium oak
36 B 6136	AR	Polyurethane primer surfacer
36 B 6137	AR	Catalyst
36 B 6138	AR	Thinner
36 B 6139	AR	Primer surfacer '22' (CFN.25)
36 B 6140	AR	Thinner (CTZ.110)
36 B 6141	AR	Thinner (CTZ.35)
36 B 6142	AR	Thinner with paint - oven dry (CTZ.73)
36 B 6143	AR	Thinner with paint - air dry (CTZ.22)
36 B 6144	AR	Thinner - solvent cleaner (SBP.3)

STANDARD HARDWARE PART NUMBER CODING

1. <u>Bolts, Screws and Studs</u>				4. <u>Bolts, Screws, Nuts and Studs</u>			
Hexagon	X)			<u>Diameter in 16ths. inch or millimetres</u>)	Two digits	
Round	R)			<u>Plain Washers</u>			
Mushroom	M)			<u>Outside diameter in 16ths. inch or millimetres</u>)	Two digits	
Cheese	C)			<u>Shakeproof Washers</u>			
Plain	P)	Single letter		<u>All sizes</u>	00)	Two digits	
Flat Countersunk	K)			<u>Self-Tapping Screw and Wood Screw</u>			
Raised Head Countersunk	D)			<u>Number</u>)	Two digits	
Stud	S)			5. <u>Bolts and Screws</u>			
<u>Nuts</u>				<u>Length in 16ths. inch or millimetres</u>)	Two digits	
Self-locking	L)			<u>Nuts</u>			
Plain	A)	Single letter		Full	F)	Two letters	
Nyloc	Y)			Half	H)	Two letters	
<u>Washers</u>				<u>Plain Washers</u>			
Shakeproof	L)			<u>Thickness by .01 inch</u>)	Two digits	
Plain	A)	Single letter		<u>Shakeproof Washers</u>			
2. <u>Bolts, Screws and Nuts</u>				<u>All sizes</u>	00)	Two digits	
<u>U.N.F.</u>	UF)			6. <u>Studs</u>			
<u>U.N.C.</u>	UC)	Two letters or digits		SUCC	UNC both ends)	
<u>Metric</u>	MM)			SUFF	UNF both ends)	Four digits
<u>Screws</u>				SUFC	UNF one end, UNC other end)	
Wood	WD)			SMMM	Metric)	
Self-Tapping	ST)	Two letters or digits		<u>ALL CODES:</u>	<u>All codes (Part Numbers) have eight letters/</u>		
<u>Washers</u>					<u>figures. Shank lengths, material specification</u>		
<u>Internal diameter in</u>)				<u>and finish are all standard.</u>		
<u>16ths. inch or millimetres</u>)	Two digits					
3. <u>Bolt</u>	B)						
<u>Screw</u>	S)						
<u>Nut</u>	N)	Single letter					
<u>Washer</u>	W)						
<u>Stud</u>	T)						



INDEX

Section

A	CHASSIS
B	BODY
C	FRONT SUSPENSION
D	REAR SUSPENSION
E	ENGINE
F	TRANSMISSION
H	STEERING
J	BRAKING SYSTEM
K	COOLING SYSTEM
L	FUEL SYSTEM
M	ELECTRICAL EQUIPMENT
P	HEATING AND VENTILATION
Q	CLUTCH
S	EXHAUST SYSTEM
T	MISCELLANEOUS ITEMS

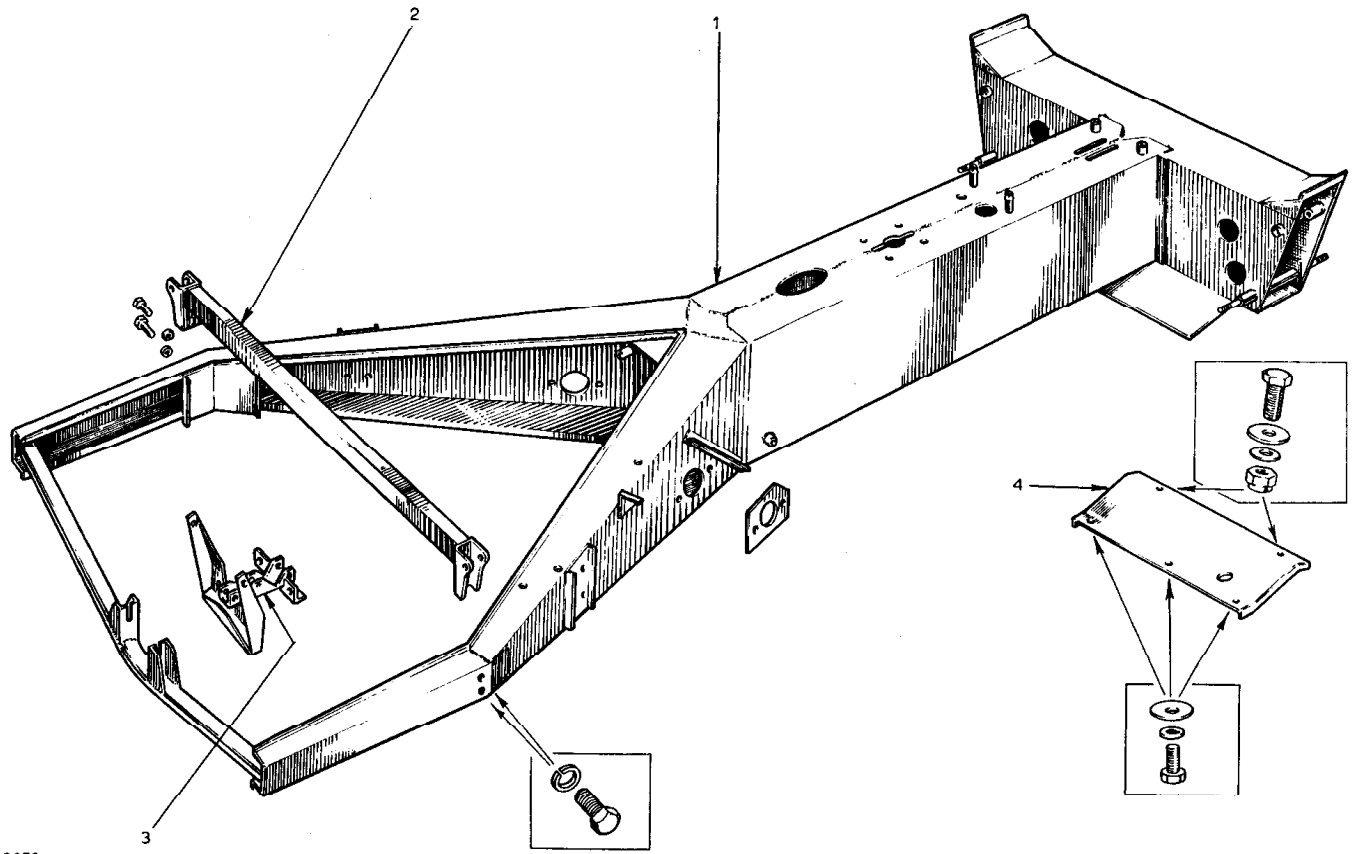
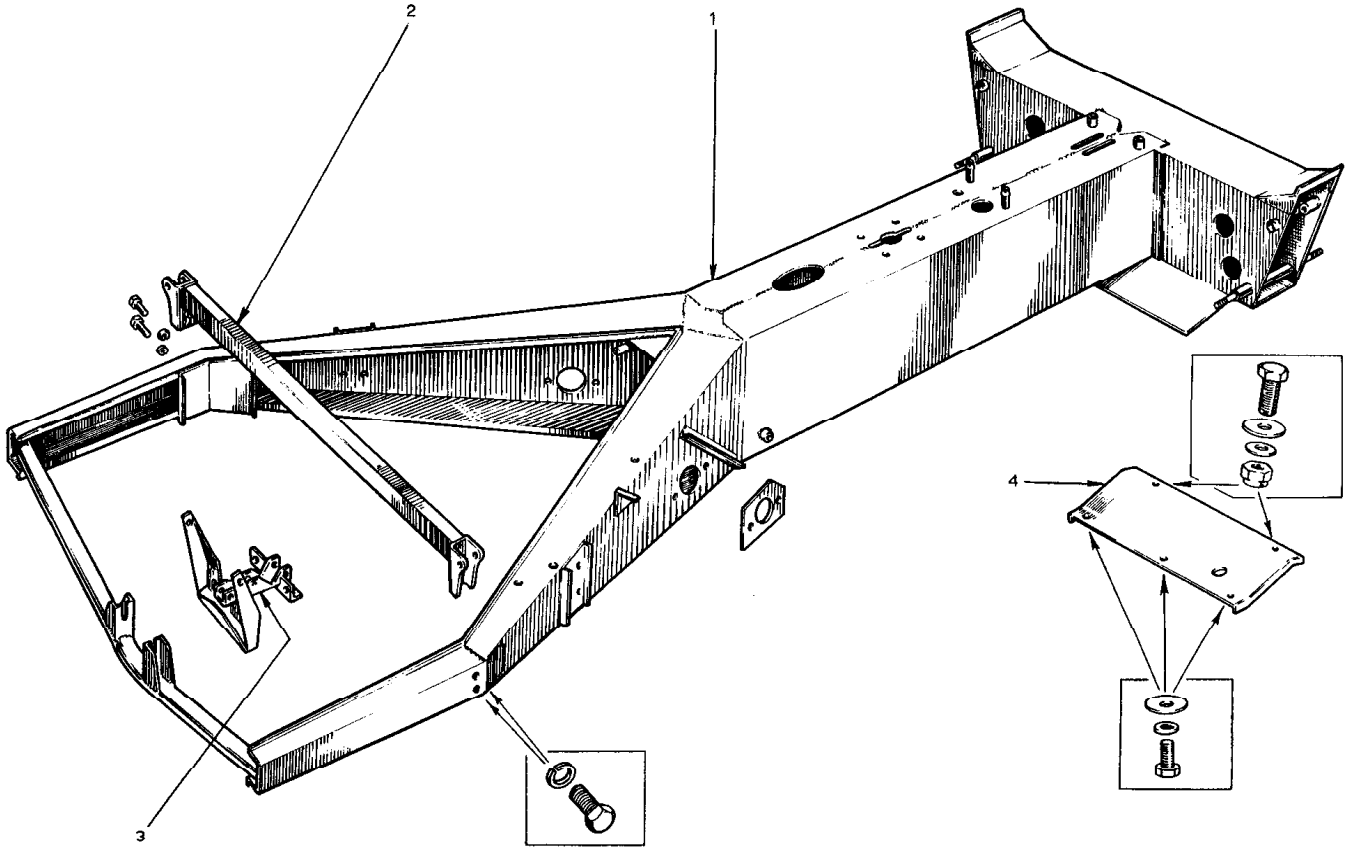


PLATE Ref. No.	PART No.	QUANTITY					STEERING		DESCRIPTION	CHANGE POINT	BULLETIN REFERENCE
		ALL	SI.	SI. Mk 1	S2.	S2. Fed.	RH	LH			
AA.1.	046 A 0701	1	1						Chassis Frame	Upto Chassis No. 0644	Service III 1969/29
	054 A 0701				1				Chassis Frame	From Chassis No. 0645	
	054 A 0701						1		Chassis Frame	From Chassis No. 1066	
	046 A 0702	1							Front Box - Chassis Frame		
	054 A 0251				2	2			Reinforcing Plate	From Chassis No. 2444	
	046 A 0012	2							Fulcrum Pin - Front Wishbone Lower		
	046 A 0709		-	-					Replaced by 054 A 0709	Upto Chassis No. 0050	
	A046 A 0709				-	-			Replaced by 054 A 0709	From Chassis No. 0051	
										to	
										From Chassis No.	
AA.2.	054 A 0709	1							Cross Beam		
	XUPB 0516	4							Bolt)		
	YUPN 050F	4							Nut) Cross Beam to Chassis		
	A05W 1206	4							Washer)		
AA.3.	046 A 0157		-	-					Replaced by 054 A 0157	Upto Chassis No. 1626	
	054 A 0157	1							Lower Link Bracket	From Chassis No. 1627	
	XUPB 0844	2							Bolt Lower Link Bracket		
AA.4.	054 A 0201				1	1			Closing Plate - Chassis to Body		
	XUPB 0620				2	2			Bolt)		
	A06W 2006				2	2			washer)		
	YUPN 060F				2	2			Nut)		
	XUPB 0408				3	3			Bolt)		
	L04W 0000				3	3			Washer)		
	A04W0905				3	3			Washer)		
046 B 1177		1	1					Tie Tube LH			
046 B 1178		1	1					Tie Tube RH			

AA



0270

IC 46PL

PLATE Ref: No.	PART No.	QUANTITY					STEERING		DESCRIPTION	CHANGE POINT	BULLETIN REFERENCE
		ALL	St.	St. Mk 1	S2	S2. Fed.	RH	LH			
A07W 1409		2	2						Washer) Tie Tube/Seat		
046 B 6001		2	2						Eye Bolt) Belt Mounting		
A054 B 1908		2	2						Spacer - Inboard Seat Belt Mounting		
XUPB 0524		2	2						Bolt)		
A05W 1007		2	2						Washer) Tie Tube to Chassis		
YUPN 050F		2	2						Nut)		

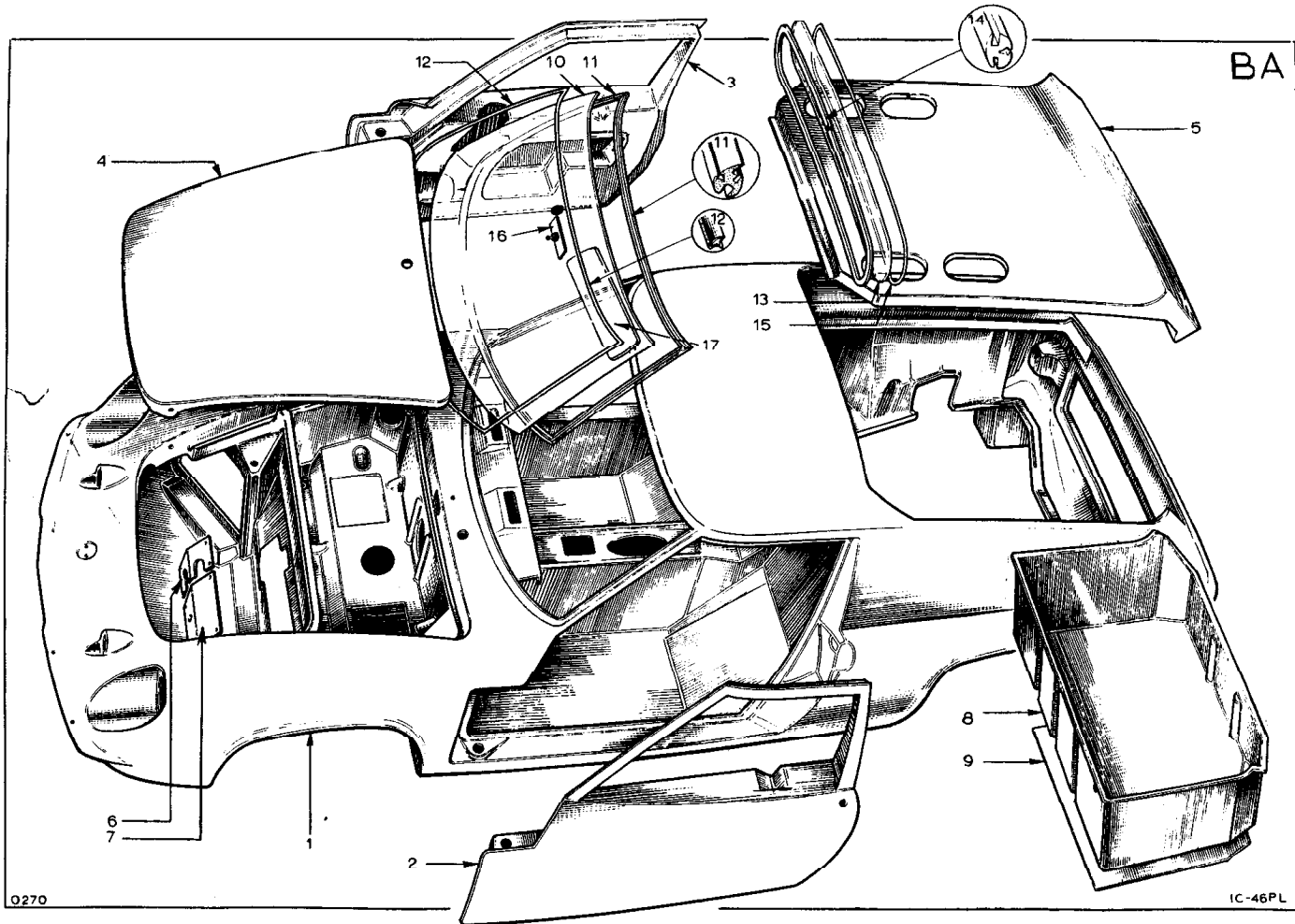


PLATE Ref. No.	PART No.	QUANTITY					STEERING		DESCRIPTION	CHANGE POINT	BULLETIN REFERENCE
		ALL	ST.	Sl. Mk 1	S2.	S2. Fed.	RH	LH			
	046 B 0001		1						Body Shell	Up to 0541	
	046 B 0001A			1					Body Shell	From 0542 to 0644	
	054 B 0001				1				Body Shell		
BA.1.	054 B 1800				1		+		Body Shell (pre-24 in. headlamp centres)	Up to 2950	
	A054 B 1800				1		+		Body Shell (24 in. headlamp centres)	From 0001P	
	054 B 1801				1			+	Body Shell (pre-24 in. headlamp centres)	From 0645 to 2944	
	C054 B 1801				1			+	Body Shell (24 in. headlamp centres)	From 0001Q	
	A054 B 1801					1		+	Body Shell (pre-24 in. headlamp centres)	From 1066 to 2061	
	D054 B 1801					1		+	Body Shell (24 in. headlamp centres)	From 2067 to 2951	
	B054 B 1801					1		+	Body Shell (24 in. headlamp centres - '65')	From Chassis No. 7001.03.0001R	
	046 B 0088		1	1					Door Shell LH		
BA.2.	054 B 0089				1				Door Shell LH	Up to Chassis No. 1065	
	A054 B 0089				1	1			Door Shell LH	From Chassis No. 1066	
	046 B 0089		1	1					Door Shell RH		
BA.3.	054 B 0088				1				Door Shell RH	Up to Chassis No. 1065	
	A054 B 0088				1	1			Door Shell RH	From Chassis No 1066	
	046 B 0030		1						Bonnet Lid		
BA.4.	A046 B 0030			1	1	1			Bonnet Lid		
	054 B 1820				1	1			Reinforcing Strip	From Chassis No. 2640) Service III 1969/40
	036 B 6033				6	6			Rivet Reinforcing Strip Mounting	From Chassis No. 2640	
	046 B 0040		1						Rear Compartment Lid		
BA.5.	A046 B 0040			1	1	1			Rear Compartment Lid		
	054 B 0562				1	1			Sealing - Front Stowage Compartment		

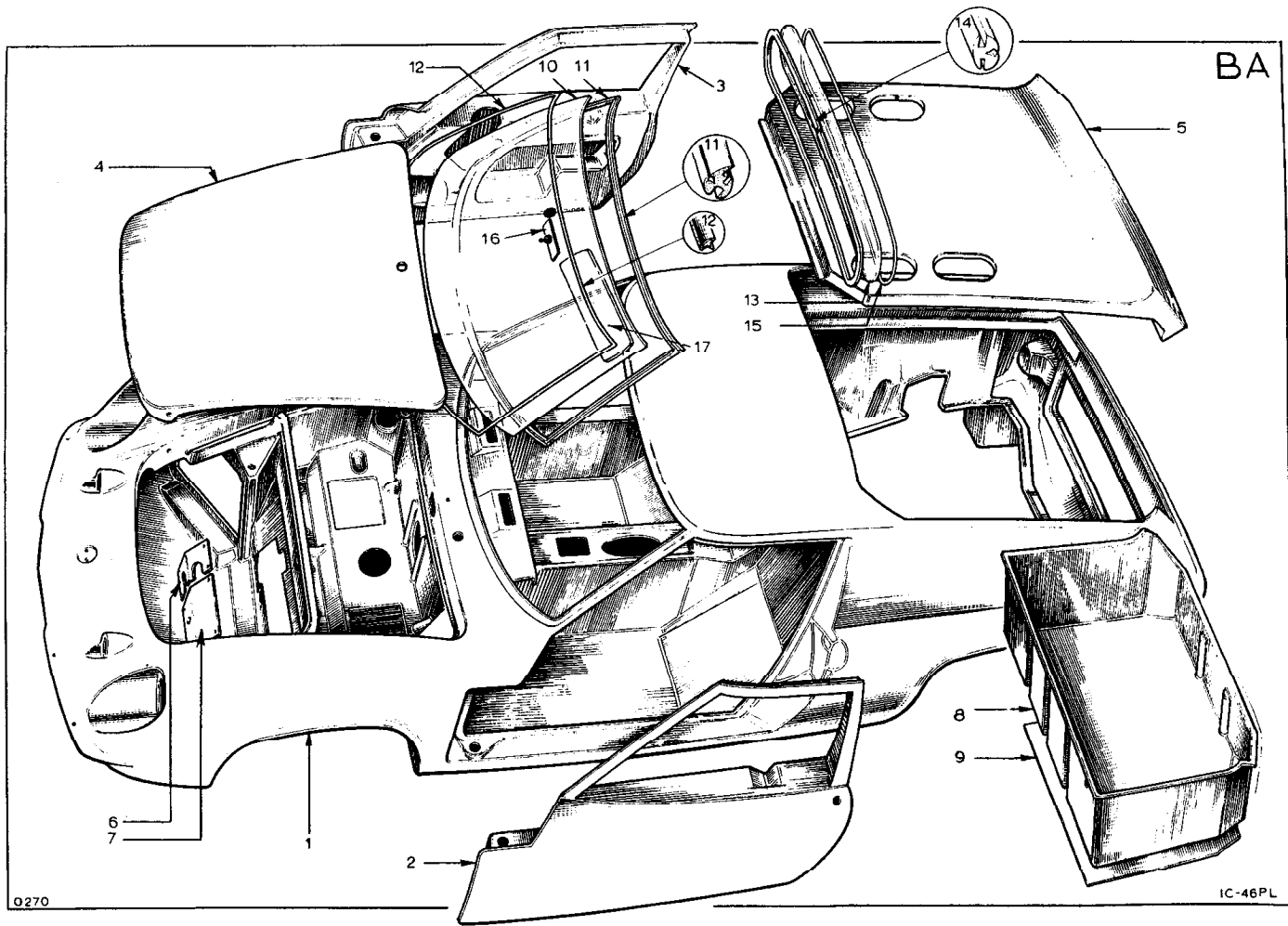
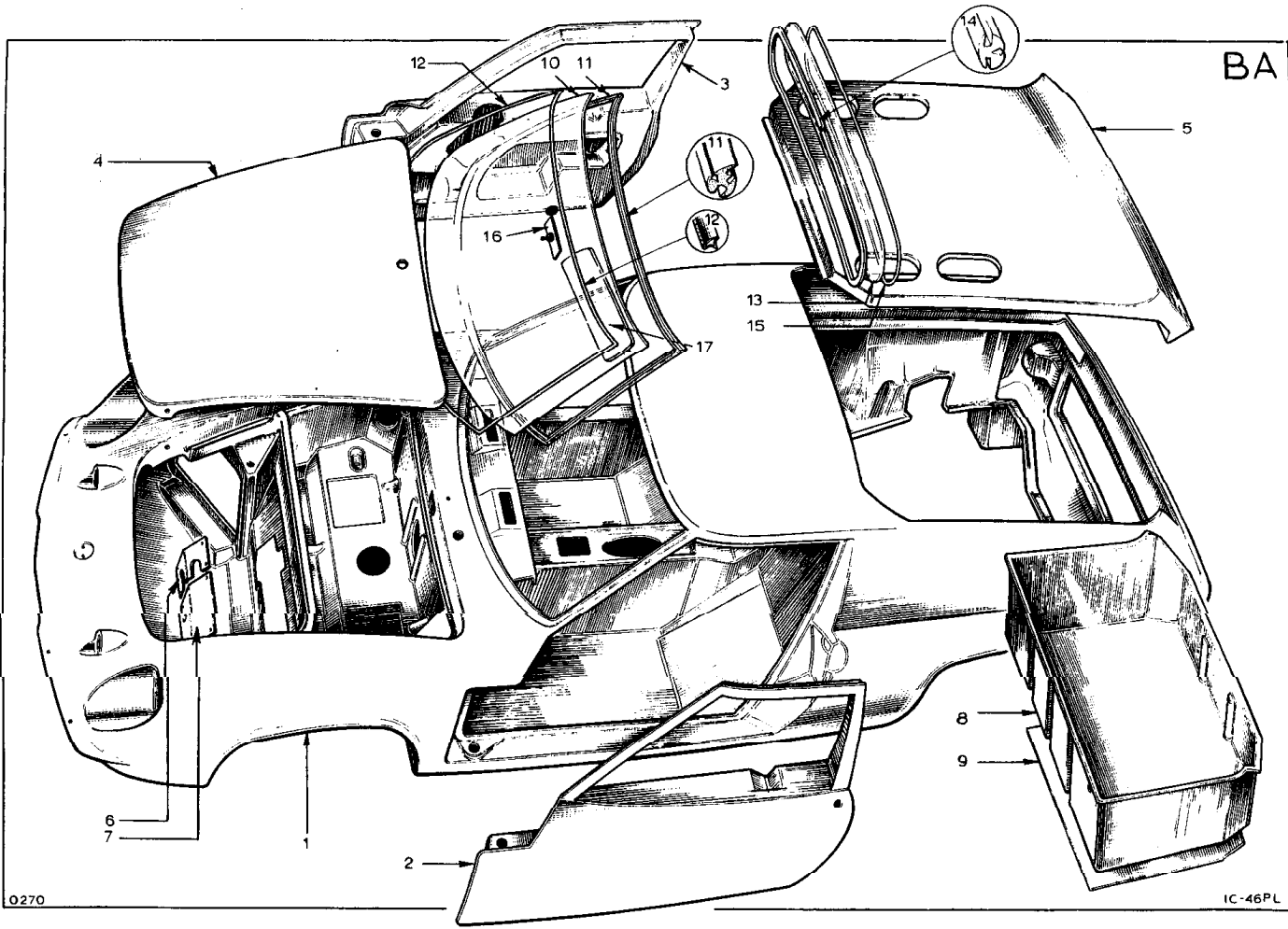


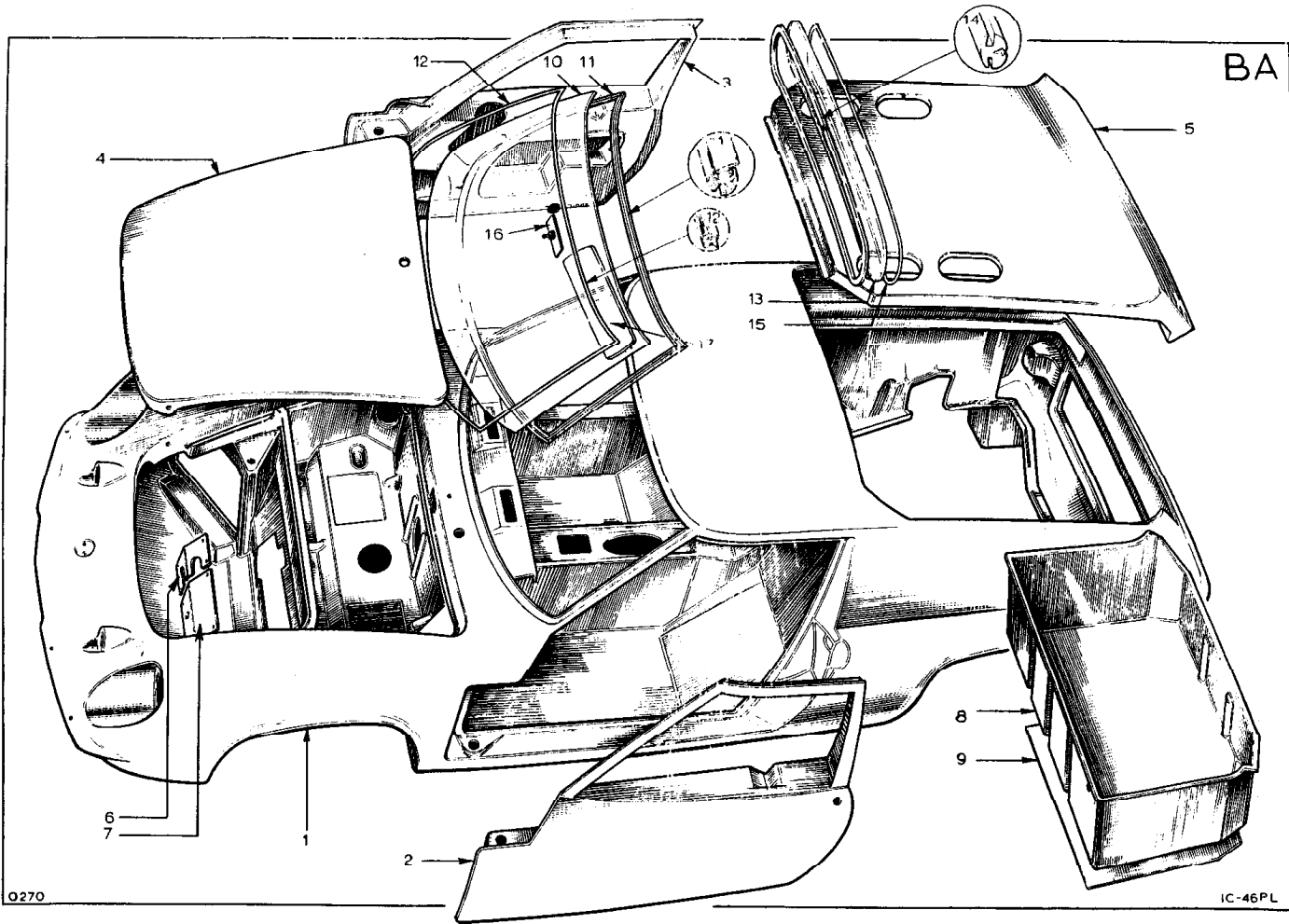
PLATE Ref: No.	PART No.	QUANTITY					STEERING		DESCRIPTION	CHANGE POINT	BULLETIN REFERENCE
		ALL	ST.	ST. Mk 1	S2.	S2. Fed.	RH	LH			
BA.6.	054 B 1387				1				Blanking Panel		
	A054 B 1387					1			Blanking Panel		
BA.7.	054 B 1386				1	1			Blanking Panel		
	PSTS 1008				10	10			Screw)		
	036 B 6003				10	10			Nut) Blanking Panels to Body		
	046 B 0059		1	1					Luggage Box		
BA.8.	054 B 0059				1	1			Luggage Box		
	451A	2							Nut)		
	PUPS 1016	2							Screw)		
	A03W 1606	2							Washer) Luggage Box to Chassis		
	W0060	2							Spacer)		
BA.9.	046 B 2007	1							Heat Shield		
	046 B 2005	1							Heat Shield		
	435	4							Rivet)		
	AUPN 030F	4							Nut) Heat Shield to Luggage Box		
	A03W 0806	4							Washer)		
	046 B 0241	1	1						Cover - Battery		
	MUPS 1016	2	2						Screw - Battery Cover		
	046 B 0029	-	-						Replaced by 046B0029A		
BA.10.	046 B 0029A	1							Windscreen		
	054 B 0029	1							Windscreen - Shaded, Optional		
BA.11.	046 B 0549	1	1	1					Weatherstrip - Windscreen		Upto Chassis No.
	046 R 0549					1			Weatherstrip - Windscreen		Upto Chassis No. 2951
	A050 B 6182					1			Mastic Sealer		From Chassis No. 7001.03.0001R
05.70											



0270

IC-46PL

PLATE Ref: No.	PART No.	QUANTITY					STEERING		DESCRIPTION	CHANGE POINT	BULLETIN REFERENCE
		ALL	ST.	ST. Mk 1	S2.	S2. Fed.	RH	LH			
	A050 B 6181					1			Mastic Sealer	From Chassis No. 7001.03.0001R	
	A054 B 6124					2			Mounting Blocks	From Chassis No. 7001.03.0001R	
BA.12.	046 B 6002		1	1	1				Filler Strip (450")		
	046 B 6002					1			Filler Strip	Upto Chassis No. 2951	
	A054 B 6118					1			Finisher, Top	From Chassis No. 7701.03.0001R	
	A054 B 6119					1			Finisher, Bottom	From Chassis No. 7701.03.0001R	
	A054 B 6120					1			Finisher, LH	From Chassis No. 7701.03.0001R	
	A054 B 6126					1			Finisher, RH	From Chassis No. 7701.03.0001R	
	A054 B 6125					2			Corner Clip, Top	From Chassis No. 7701.03.0001R	
	A050 B 6183					2			Corner Clip, Bottom	From Chassis No. 7701.03.0001R	
	A054 B 6121					1			Filler - Top Internal	From Chassis No. 7701.03.0001R	
	A054 B 6122					1			Filler - Bottom Internal	From Chassis No. 7701.03.0001R	



0270

IC-46PL

PLATE Ref: No.	PART No.	QUANTITY					STEERING		DESCRIPTION	CHANGE POINT	BULLETIN REFERENCE
		ALL	ST.	ST. Mk 1	S2.	S2. Fed.	RH	LH			
	A054 B 6123					2			Filler - Side Internal	From Chassis No. 7701.03.0001R	
BA.13.	046 B 0349	1							Rear Screen		
	B046 B 0349	1							Rear Screen Shaded Optional		
	046 B 6004	-							Replaced by 054 B 1769		
BA.14.	054 B 1769	1							Weatherstrip - Rear Screen		
BA.15.	046 B 6003	1							Filler Strip - Rear Screen		
	046 B 6039	-							Replaced by 036 B 6031		
BA.16.	036 B 6031	1							Internal Rear View Mirror		
	046 B 6108		1	1					Sunvisor		
BA.17.	054 B 1720				2	2			Sunvisor		

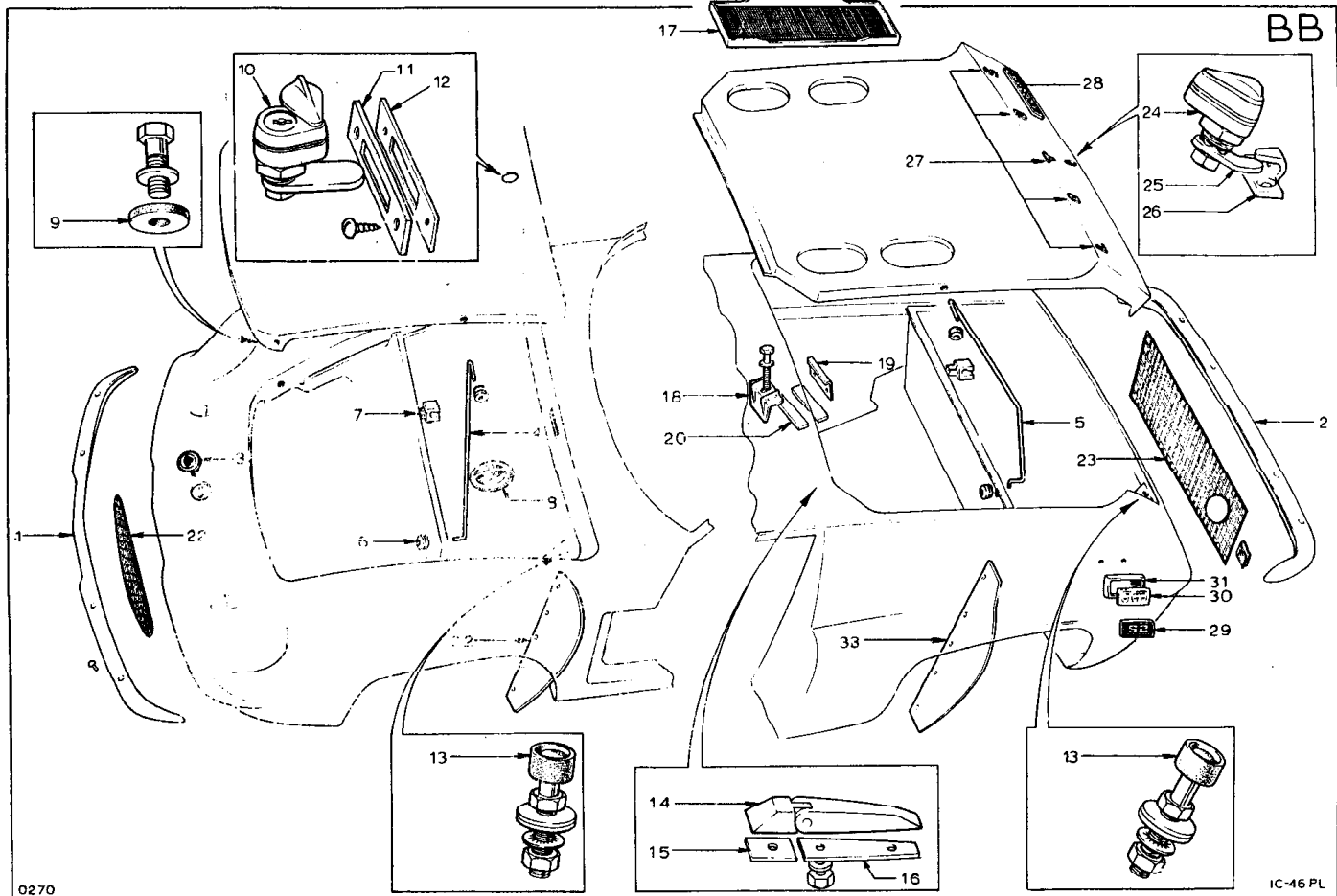
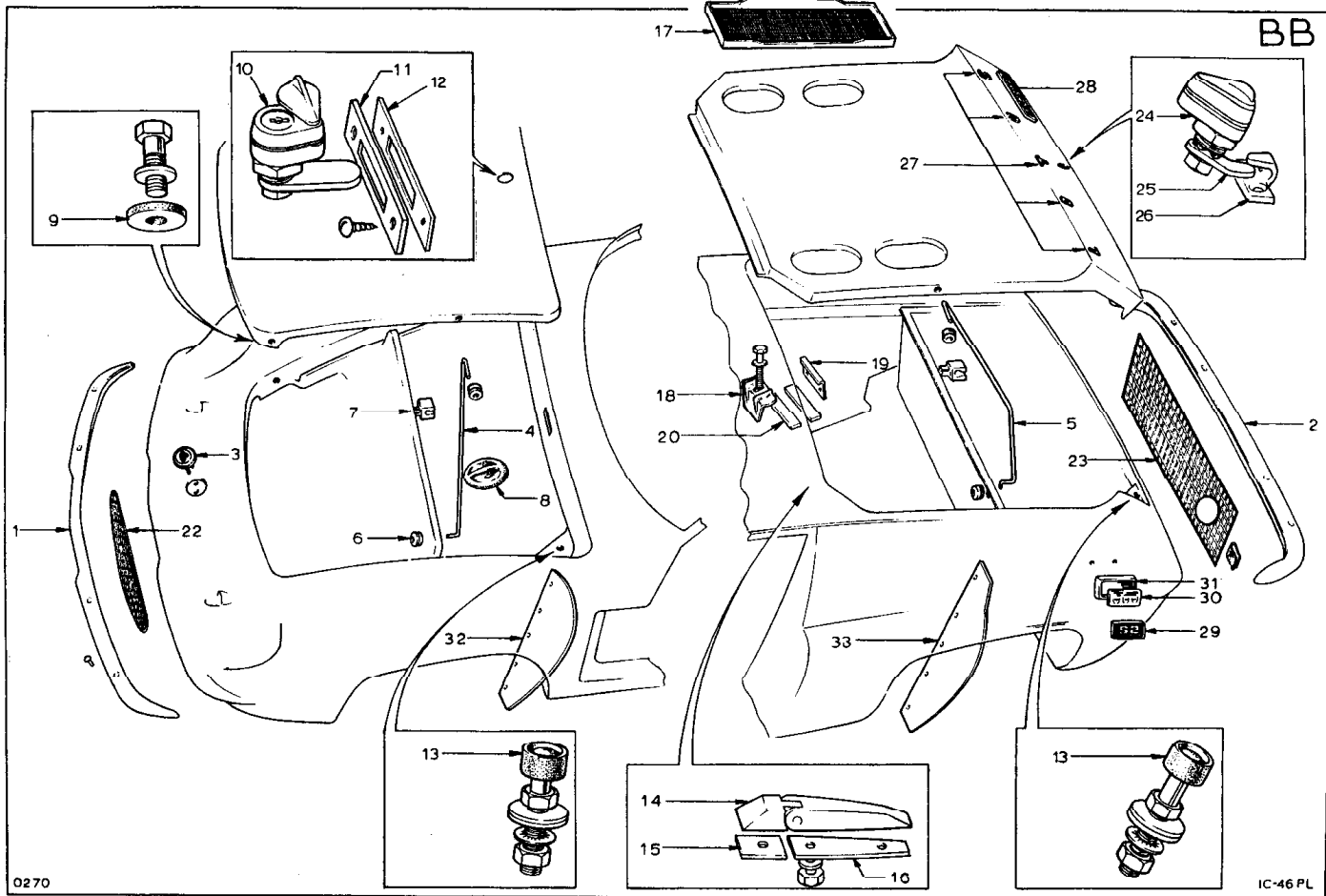


PLATE Ref: No.	PART No.	QUANTITY					STEERING		DESCRIPTION	CHANGE POINT	BULLETIN REFERENCE
		ALL	SI.	SI. Mk 1	S2.	S2. Fed.	RH	LH			
BB.1.	046 B 6011	1							Bumper - front		
BB.2.	046 B 6012	1							Bumper - rear		
	046 B 6013	2							Blanking Rivet		
	A050 B 6033	8							Bolt)		
	116 AA	8							Washer, Fibre)		
	A05W 1007	8							Washer)	Bumper Mounting	
	S05W 0000	8							Washer, Spring)		
	214A	8							Nut)		
BB.3.	026 B 0269	1							Badge - Yellow and Green		
	2RAN 000H	2							Nut)	Badge Mounting	
	A03W 0806	2							Washer)		
	046 B 1131		1	1					Stay - Front Lid Support		
BB.4.	054 B 1535				1	1			Stay - Front Lid Support		
BB.5.	046 B 1131	1							Stay - Rear Lid Support		
	046 B.6048	4							Grommet - Stay Pivot		
BB.6.	036 B 6010	4							Grommet - Stay Pivot		
	046 B 6023		2	2					Clip - Stay Storage		
BB.7.	054 B 1693	2							Clip - Stay Storage		
	046 B 1289		1	1					Strip-Lid Periphery Sealing		
	A036 B 6213	1							Strip-Lid Periphery Sealing		
BB.8.	026 B 0371				1	1			Grommet - Handbrake Fixing Access		
	054 J 6005					1			Grommet - Front Wishbone Access	Up to	
	036 H 6289				1	1			Grommet - Front Wishbone Access	From	
BB.9.	054 B 6107	2							Rubber Washer)		
	XUPB 0528	2							Bolt)	Bonnet Fixing	
	A05W 1007	2							Washer)		
12.70.											



0270

IC-46 PL

PLATE Ref: No.	PART No.	QUANTITY					STEERING		DESCRIPTION	CHANGE POINT	BULLETIN REFERENCE
		ALL	SI.	SI. Mk 1	S2.	S2. Fed.	RH	LH			
	046 B 6043		2						'Oddie' Fastener		
	046 B 6044		2						Mounting Plate - 'Oddie' Fastener		
	046 B 6045		2						Clip - 'Oddie' Fastener		
	036 B 6033		6						Rivet - Mounting Plate to Bonnet		
BB.10.	046 B 6112			1	1	1			Lock - Bonnet		
	046 B 1362			1	1	1			Tab - Bonnet Lock		
BB.11.	046 B 1368			1	1	1			Plate - Bonnet Lock		
BB.12.	046 B 1369			1	1	1			Tapping Plate		
	KSES 1016			2	2	2			Screw - Tapping Plate		
BB.13.	036 B 6030			4	4	4			Buffer - Bonnet and Rear Lid		
	XUPB 0520			2	2	2			Bolt - Bonnet Buffer		
	XUPB 0524			2	2	2			Bolt - Rear Lid Buffer		
	A05W 1606			8	8	8			Washer)		
	L05W 0000			4	4	4			Washer) Buffer Mounting		
	AUPN 050H			8	8	8			Nut)		
BB.14.	036 B 6006	2							Hinge - Rear Lid		
BB.15.	A036 B 1111	2							Gasket - Rear Lid Hinge		
BB.16.	A036 B 1112	2							Gasket - Rear Lid Hings		
	AUPN 040P	4							Nut) Hinge to Lid		
	A04W 1606	4							Washer)		
	XUPN 050P	2							Nut) Hinge to Body		
	A05W 1606	2							Washer)		
BB.17.	046 B 1119	2							Grille - Vent Rear Lid		
	PS23 0612	8							Screw) Vent Grille to Lid		
	036 B 6001	8							Nut)		
12.70											

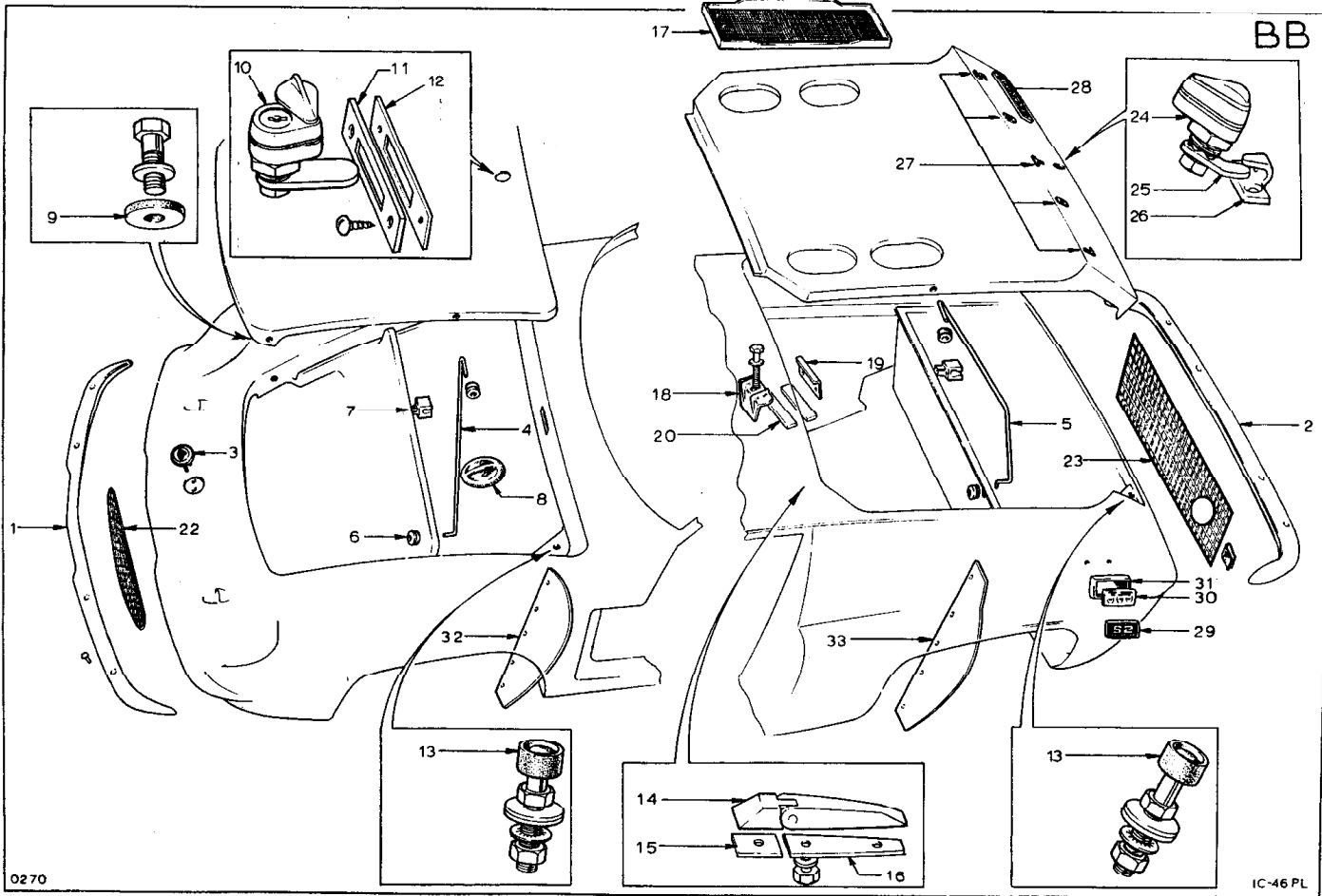


PLATE Ref. No.	PART No.	QUANTITY					STEERING		DESCRIPTION	CHANGE POINT	BULLETIN REFERENCE
		ALL	SI.	SI. Mk 1	S2.	S2. Fed.	RH	LH			
	054 B 6020				1	1			Battery Clamp		
BB.18.	036 M 6005				1	1			Battery Clamp		
	XUPB 0532				1	1			Bolt) Battery Clamping		
	115				1	1			Washer)		
BB.19.	050 B 1207				1	1			Angle - Battery Mounting		
	036 B 6053				2	2			Rivet - Battery Mounting Angle to Body		
BB.20.	054 B 6021				2	2			Pad - Battery Seating		
BB.22.	046 B 0272	1							Grille - Front		
	046 B 1073		1						Grille - Rear		
	046 B 1073			1					Grille - Rear		
	A046 B 1073			1					Grille - Rear		
BB.23.	054 B 1073				1	1			Grille - Rear		
	RSTS 0808	8							Screw)		
	036 B 6002	8							Nut) Grille to Body		
	A03W 0806	8							Washer)		
	046 B 6046		2						'Oddie' Fastener		
	046 B 6044		2						Mounting Plate - 'Oddie' Fastener		
	046 B 6045		2						Clip) 'Oddie' Fastener		
	046 B 6047		2						Washer)		
	036 B 6033		6						Rivet - Mounting Plate to Rear Lid		
BB.24.	046 B 6112		1	1		1			Lock - Rear Lid		
BB.25.	046 B 1367		1	1		1			Tab - Rear Lid Locking		
BB.26.	046 B 1366		1	1		1			Latch Plate - Rear Lid Locking		
	PSTS 0808		2	2		2			Screw)		
	A032 0806		2	2		2			Washer) Latch Plate to Body		
	423		2	2		2			Nut)		
12.70											

Up to Chassis No. 0541
From Chassis No. 0542

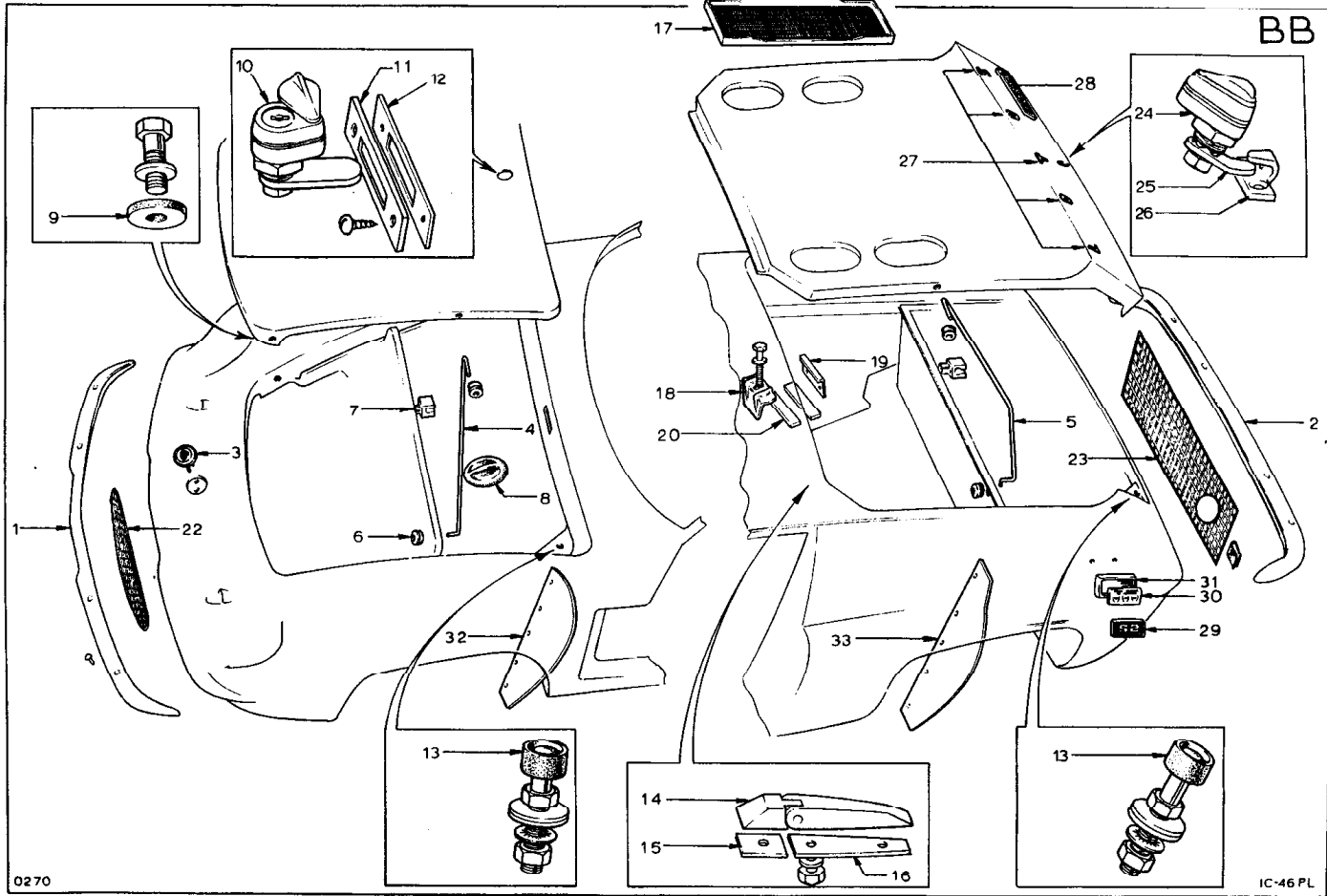


PLATE Ref: No.	PART No.	QUANTITY					STEERING		DESCRIPTION	CHANGE POINT	BULLETIN REFERENCE
		ALL	ST.	ST. Mk I	S2.	S2. Fed.	RH	LH			
BB.27	036 B 0544				1	1			Nameplate 'L'		
	036 B 0545				1	1			Nameplate 'O'		
	036 B 0546				1	1			Nameplate 'T'		
	036 B 0547				1	1			Nameplate 'U'		
	036 B 0546				1	1			Nameplate 'S'		
	036 B 6024				17	17			Fixing Clip - Nameplate		
BB.28.	054 B 1512				1	1			Europe Badge - English Speaking		
	046 B 1201			1	1				Europe Badge - Continental		
	036 B 0501A	1	1						Badge 'Indianapolis'		
	036 B 0501B	1	1						Badge 'World Champions'		
	036 B 0502	2	2						Packing - Badge		
	046 B 6027	2	2						Bezel		
	046 B 6028	6	6						Clip		
BB.29.	054 B 1425				1	1			Badge - 'S.2.'		
BB.30.	A036 B 2073				1	1			Badge - 'World Champions' (1963, 1965, 1968, 1970)		
BB.31.	A036 B 6341				1	1			Bezel		
	443				3	3			Clip, Bezel		
BB.32.	054 B 1271				2	2			Dust Shield, Front		
BB.33.	054 B 1271				2	2			Dust Shield, Rear		
	036 B 6033				24	24			Rivet)		
	A024 0603				48	48			Washer) Dust Shield Mounting		
	054 B 0599				1	1			Stud)		
	036 D 6000				1	1			Nut) Spare Wheel Clamping		Service III 1970/3
	A054 B 1908			AR	AR				Washer		
	026 B 0372					2			Grommet		

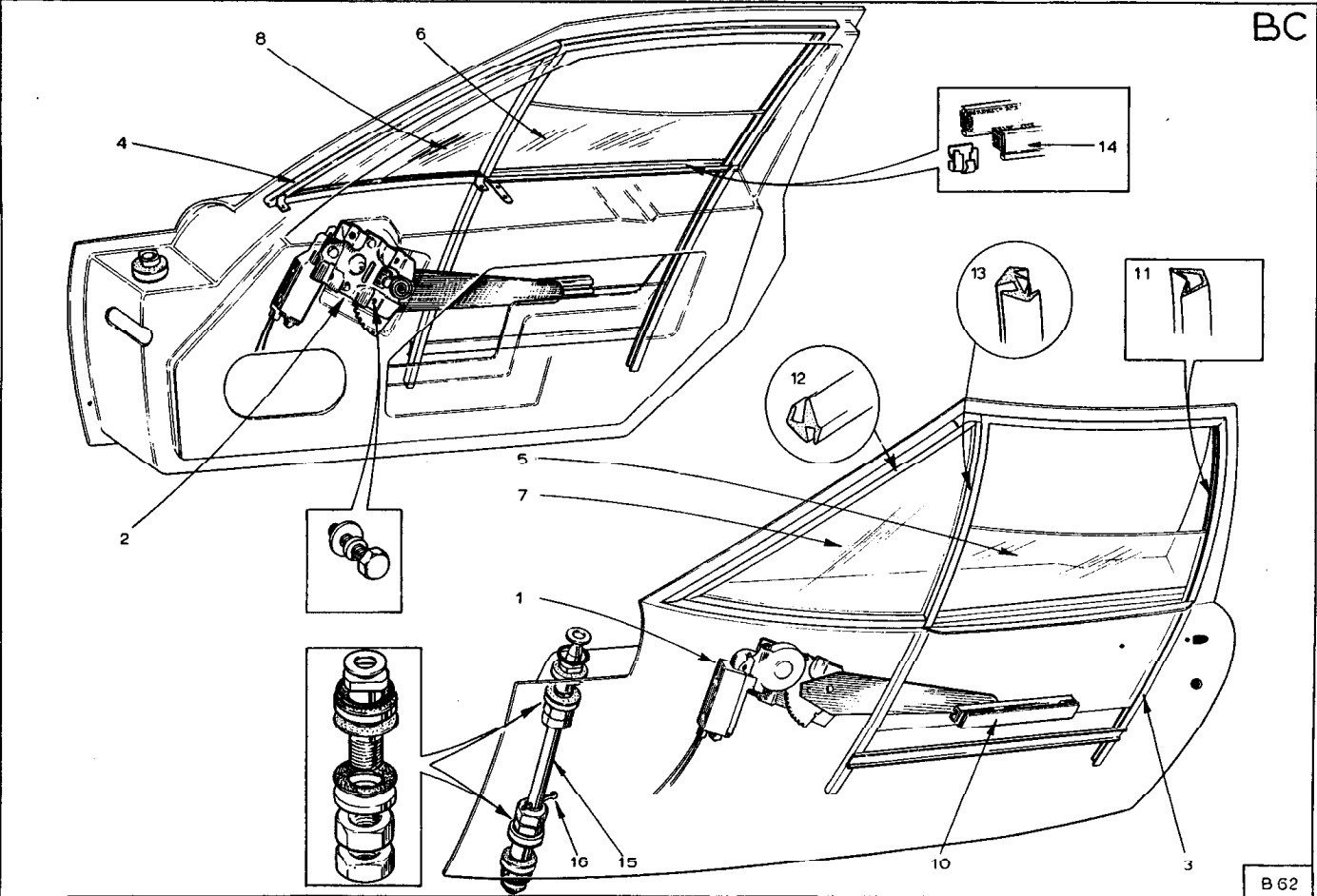


PLATE Ref. No.	PART No.	QUANTITY					STEERING		DESCRIPTION	CHANGE POINT	BULLETIN REFERENCE
		ALL	SI.	SI. Mk 1	S2.	S2. Fed.	RH	LH			
BC.1.	054 B 1495				1	1			Window Lift Motor LH	From Chassis No. 0645	
	054 B 1496				1	1			Window Lift Motor RH	From Chassis No. 0645	
	XUFB 0418				8	8			Bolt)		
	A04W 1606				8	8			Washer)	Window Lift Motor to Door	From Chassis No. 0645
	L04W 0000				8	8			Washer)		
	046 B 6105		2	2					Side Window Surround	Upto Chassis No. 0644	
	046 B 0659			1					Dividing Channel Side Window LH	From Chassis No. 0300, including 0270, 0271 & 0272, to 0644	
	046 B 0660			1					Dividing Channel Side Window RH	From Chassis No. 0300, including 0270, 0271 & 0272, to 0644	
	MUPS 0408			4					Screw)		
	YUFW 040H			4					Nut)	Dividing Channel Mounting	From Chassis No. 0300, including 0271, 0272 & 0273, to 0644
A02W 0603			4					Washer)			
BC.3.	054 B 0791				1	1			Window Frame LH	From Chassis No. 0645	
	054 B 0792				1	1			Window Frame RH	From Chassis No. 0645	
BC.4.	054 B 0709				1	1			Quarter Light Frame LH	From Chassis No. 0645	
	054 B 0790				1	1			Quarter Light Frame RH	From Chassis No. 0645	
	036 B 6033				14	14			Rivet)		
	PUCS 0408				4	4			Screw)		
	A02W 0603				4	4			Washer)	Window Frames to Door	From Chassis No. 0645
	YUNC 040F				4	4			Nut)		
	046 B 0667		1						Side Window LH	Upto Chassis No. 0299 excluding 0270, 0271 and 0272	
	A046 B 0667			1					Side Window LH	From Chassis No. 0300, including 0270, 0271 & 0272, to 0644	

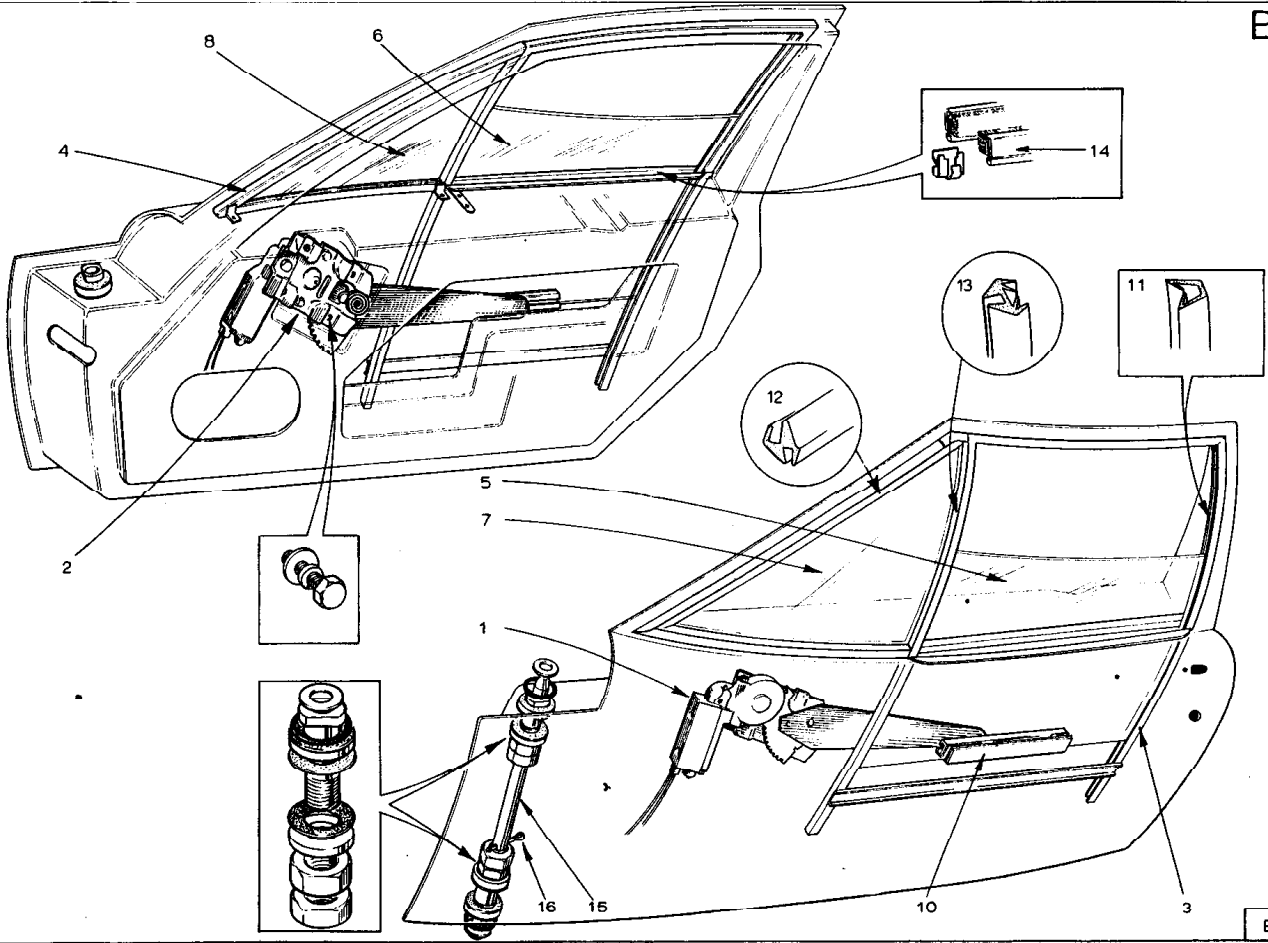


PLATE Ref: No.	PART No.	QUANTITY					STEERING		DESCRIPTION	CHANGE POINT	BULLETIN REFERENCE
		ALL	ST.	ST. Mk 1	S2.	S2. Fed.	RH	LH			
BC.5.	054 B 0667				1	1			Side Window LH	From Chassis No. 0645 to	
	054 B 0667A								Side Window LH Shaded Optional		
	046 B 0668		1						Side Window RH	Upto Chassis No. 0299 excluding 0270, 0271 & 0272	
	A046 B 0668			1					Side Window RH	From Chassis No. 0300, including 0270, 0271, & 0272, to 0644	
BC.6.	054 B 0668				1	1			Side Window RH	From Chassis No. 0645 to	
	054 B 0668A								Side Window RH Shaded Optional		
	046 B 0669			1					Quarter Light Glass	From Chassis No. 0300, including 0270, 0271 & 0272, to 0644	
	054 B 0669				1	1			Quarter Light Glass replaced by 054 B 0669A	From Chassis No. 0645 to 1479	
BC.7.	054 B 0669A				1	1			Quarter Light Glass LH	From Chassis No. 1480 to	
	B054 B 0669								Quarter Light Glass LH Shaded Optional		
	046 B 0670			1					Quarter Light Glass	From Chassis No. 0300, including 0270, 0271 & 0272, to 0644	
	054 B 0670				1	1			Quarter Light Glass replaced by 054 B 0670A	From Chassis No. 0645 to 1479	
BC.8.	054 B 0670A				1	1			Quarter Light Glass RH	From Chassis No. 1480 to	
	B054 B 0670								Quarter Light Glass RH Shaded Optional		
05.70											

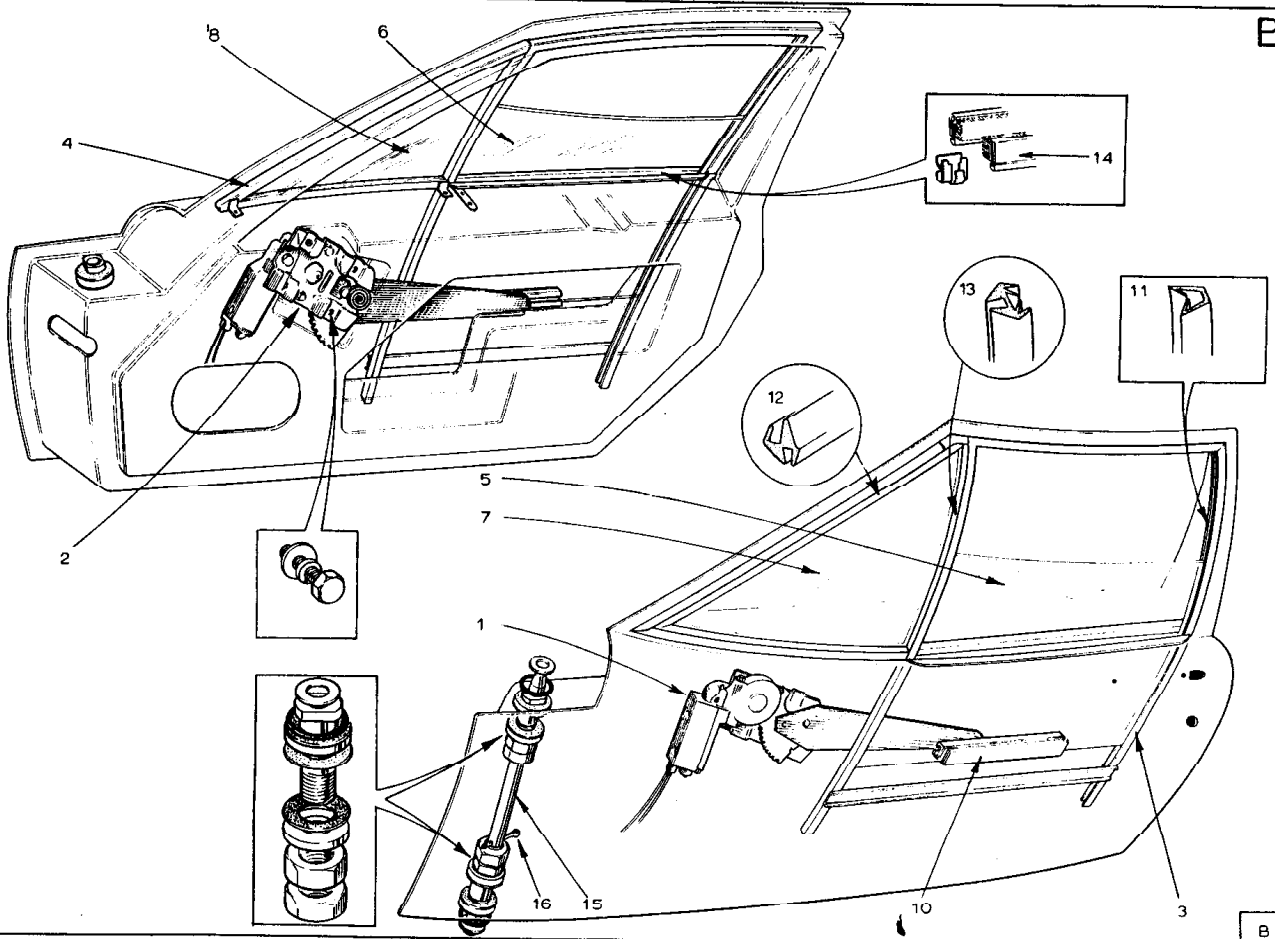


PLATE Ref: No.	PART No.	QUANTITY					STEERING		DESCRIPTION	CHANGE POINT	BULLETIN REFERENCE
		ALL	ST.	ST. Mk 1	S2.	S2. Fed.	RH	LH			
BC.10.	054 B 0091				2	2			Channel - Window Lift		
	054 B 6108				2	2			'Everseal' Strip - Window Lift Channel		
	046 B 6117			1					Side Window Channel LH		From Chassis No. 0300 including 0270, 0271 & 0272, to 1065.
	046 B 6118			1					Side window Channel RH		From Chassis No. 0300, including 0270, 0271, & 0272, to 1065.
BC.11.	054 B 6023				1	1			Side window Channel		From Chassis No. 1066
BC.12.	A054 B 1899				1	1			Seal Channel - Quarter Light, Front & Base		From Chassis No 1066
	046 B 6119			2					Seal Channel - Quarter Light		From Chassis No. 0300, including 0270, 0271 & 0272, to 1065.
BC.13.	A054 B 1898				1	1			Seal Channel - Quarter Light to Dividing Channel		From Chassis No. 1066
BC.14.	050 B 6011				4	4			Weather Strip - Side Window		From Chassis No. 1066
	054 B 6106				16	16			Clip - Weatherstrip to Frame		From Chassis No. 1066
BC.15.	046 B 0073	2							Pivot Pin - Door Hinge		
	A054 B 2000	4							Bush)		
	046 B 6024	4							*O* Ring)		
	AUPN 120H	8							Nut)		
	128 D	8							Washer) Door Hinge		
	128 CA	AR							Washer)		
	W015	12							Abrasive Washer)		
									Split Pin)		
BC.16.	054 B 6103	2							Catch - Side Window		From Chassis No. 0300 including 0270, 0271 and 0272
	046 B 1979 46-01370			4							

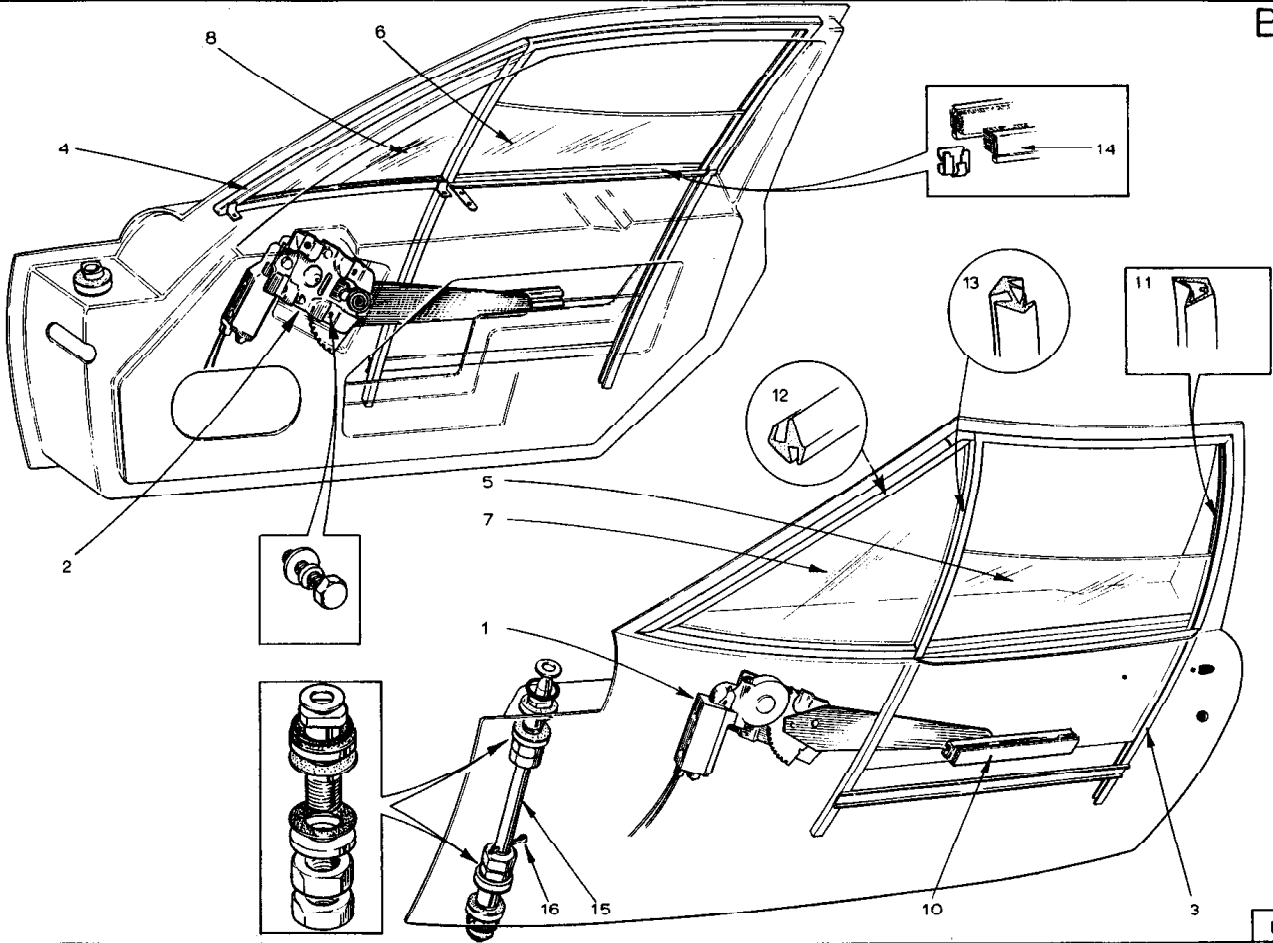
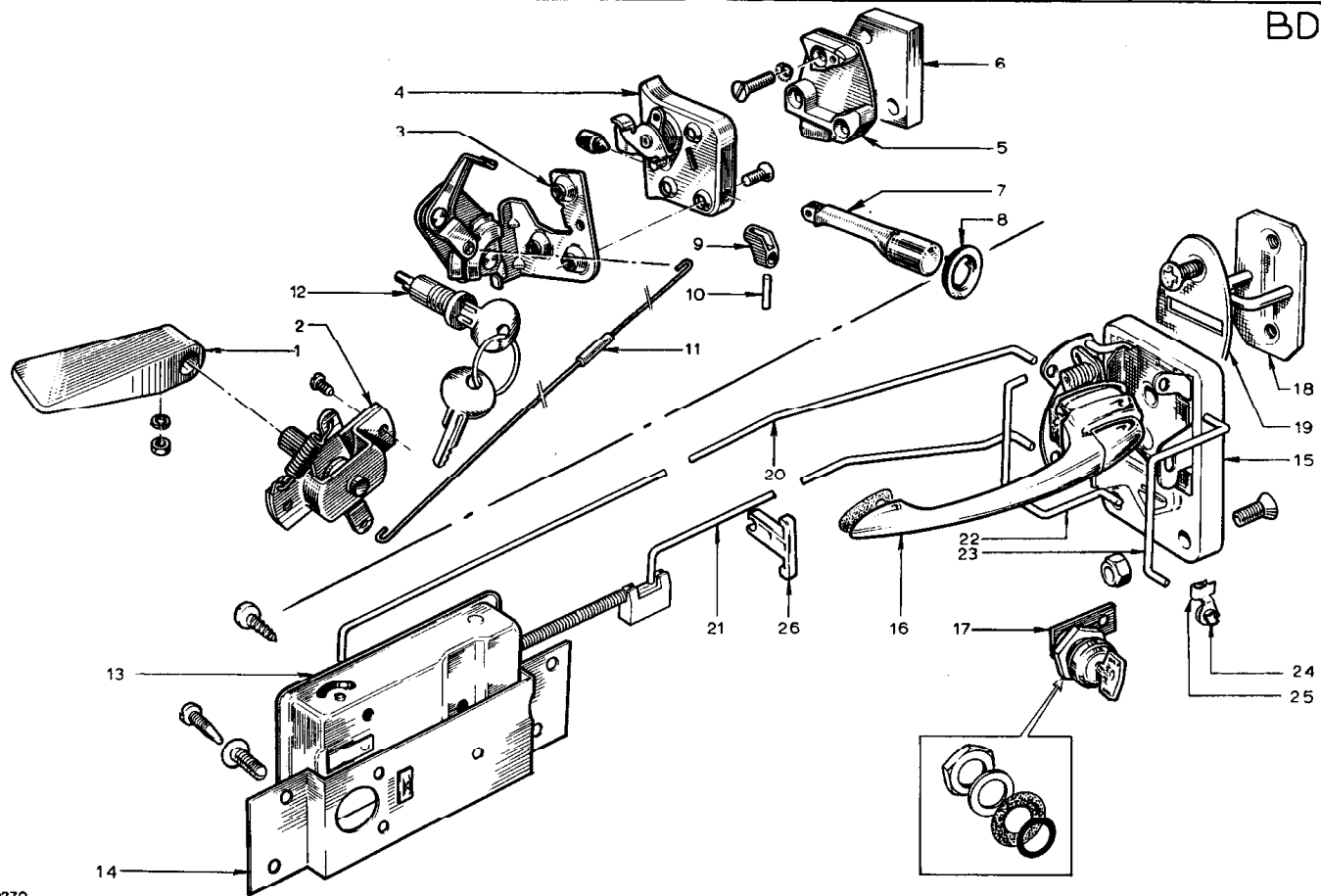


PLATE Ref: No.	PART No.	QUANTITY					STEERING		DESCRIPTION	CHANGE POINT	BULLETIN REFERENCE
		ALL	ST.	S1. Mk 1	S2.	S2. Fed.	RH	LH			
	W0135			4							
	046 B 6114			4							
	A03W 0605			4					Catch to Side Window	From Chassis No. 0300 including 0270, 0271 and 0272	
	046 B 6115			8					Washer, Fibre)		
	036 B 6007			4					Snapsac - Catch	From Chassis No. 0300 including 0270, 0271 and 0272	
	046 B 1361			4					Carrier Bracket - Side Window	From Chassis No. 0300 including 0270, 0271 and 0272	
	050 B 6003			4					Rivet)	From Chassis No. 0300 including 0270, 0271 and 0272	
	A03W 0605			4					Washer) Carrier Bracket to Body		

BD

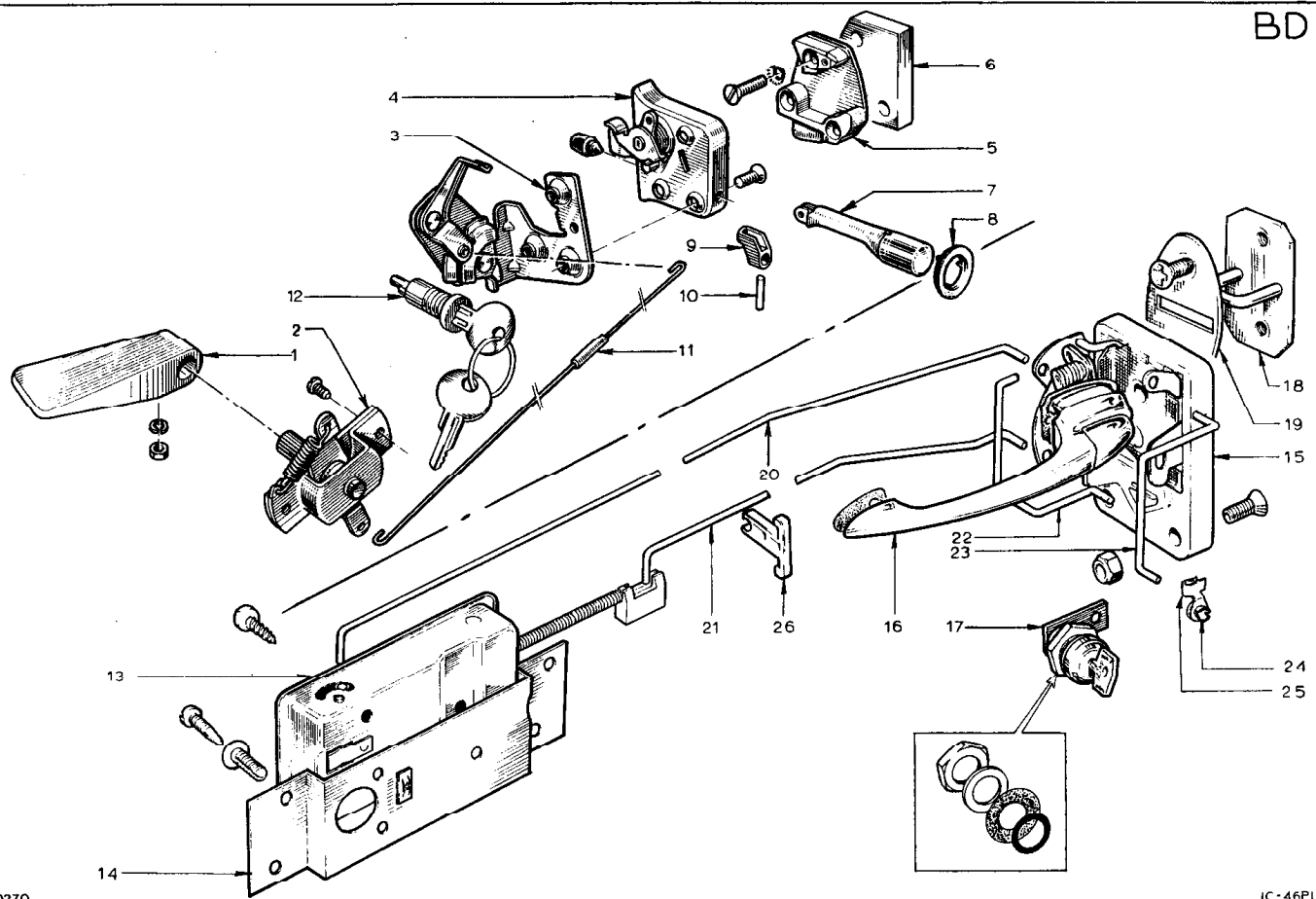


0270

IC-46PL

PLATE Ref: No.	PART No.	QUANTITY					STEERING		DESCRIPTION	CHANGE POINT	BULLETIN REFERENCE
		ALL	ST.	ST. Mk 1	S2.	S2. Fed.	RH	LH			
BD.1.	046 B 6065		1	1					Upto Chassis No. 1065		
	046 B 6065				1			Handle - Interior Door LH			
	046 B 6066		1	1				Handle - Interior Door LH			
	046 B 6066				1			Handle - Interior Door RH			
BD.2.	046 B 6067		1	1				Handle - Interior Door RH	Upto Chassis No. 1065		
	046 B 6067				1			Remote Control LH			
	046 B 6068		1	1				Remote Control LH			
	046 B 6068				1			Remote Control RH			
BD.3.	046 B 6055		1	1				Remote Control RH	Upto Chassis No. 1065		
	046 B 6055				1			Door Lock LH			
	046 B 6056			1				Door Lock LH			
	046 B 6056				1			Door Lock RH			
BD.4.	046 B 6053		1	1				Door Lock RH	Upto Chassis No. 1065		
	046 B 6053				1			Door Lock Striker LH			
	046 B 6054		1	1				Door Lock Striker LH			
	046 B 6054				1			Door Lock Striker RH			
BD.5.	046 B 6051		1	1				Door Lock Striker RH	Upto Chassis No. 1065		
	046 B 6051				1			Catch Plate LH			
	046 B 6052		1	1				Catch Plate LH			
	046 B 6052				1			Catch Plate RH			
BD.6.	046 B 1095		2	2				Catch Plate RH	Upto Chassis No. 1065		
	046 B 1095				2			Tapping Plate			
BD.7.	046 B 6058		1	1				Tapping Plate	Upto Chassis No. 1065		
	046 B 6058				1			Push Button LH			
	046 B 6059		1	1				Push Button LH			
	046 B 6059				1			Push Button RH			
BD.8.	046 B 6060		2	2				Push Button RH	Upto Chassis No. 1065		
	046 B 6060				2			Escutcheon			
03.70								Escutcheon	Upto Chassis No. 1065		

BD



0270

IC-46PL

PLATE Ref: No.	PART No.	QUANTITY				STEERING		DESCRIPTION	CHANGE POINT	BULLETIN REFERENCE
		ALL	ST.	ST. Mk 1	S2.	S2. Fed.	RH			
BD.9.	046 B 6061	2	2					Lock Tab		
	046 B 6061			2				Lock Tab	Up to Chassis No.1065	
BD.10.	046 B 6062	2	2					Tension Pin		
	046 B 6062			2				Tension Pin	Up to Chassis No.1065	
BD.11.	046 B 1129	2	2					Remote Control Rod		
	046 B 1129			2				Remote Control Rod	Up to Chassis No.1065	
BD.12.	046 B 6064	2	2					Lock Barrel		
	046 B 6064			2				Lock Barrel	Up to Chassis No.1065	
BD.13.	036 B 6050			1	1			Remote Control LH	From Chassis No.1066	
	036 B 6051			1	1			Remote Control RH	From Chassis No.1066	
BD.14.	054 B 1629			1	1			Mounting Bracket - Remote Control LH	From Chassis No.1066	
	054 B 1630			1	1			Mounting Bracket - Remote Control RH	From Chassis No.1066	
	036 B 6123			4	4			Tappit - Mounting Bracket to Door Shell	From chassis No.1066	
	RSTS 1008			6	6			Screw)	From Chassis No.1066	
	046 B 6126			6	6			Nut) Remote Control to Mounting Bracket	From Chassis No.1066	
BD.15.	036 B 6048			1	1			Door Lock LH	From Chassis No.1066	
	036 B 6049			1	1			Door Lock RH	From Chassis No.1066	
	KUPS 0416			8	8			Screw) Door Lock to Door	From Chassis No.1066	
	YUPW 040P			8	8			Nut)	From Chassis No.1066	
BD.16.	036 B 6052			1	1			Door Handle - Exterior LH	From Chassis No.1066	
	036 B 6149			2	2			Gasket, Small) Door Handle to Door	From Chassis No.1066	
	036 B 6095			2	2			Gasket, Large)	From Chassis No.1066	
	XUPS 1010			2	2			Screw) Door Handle to Door	From Chassis No.1066	
	A03W 0605			2	2			Washer)	From Chassis No.1066	
BD.17.	A036 B 6191			2	2			Private Door Lock LH and RH	From Chassis No.1066	

BD

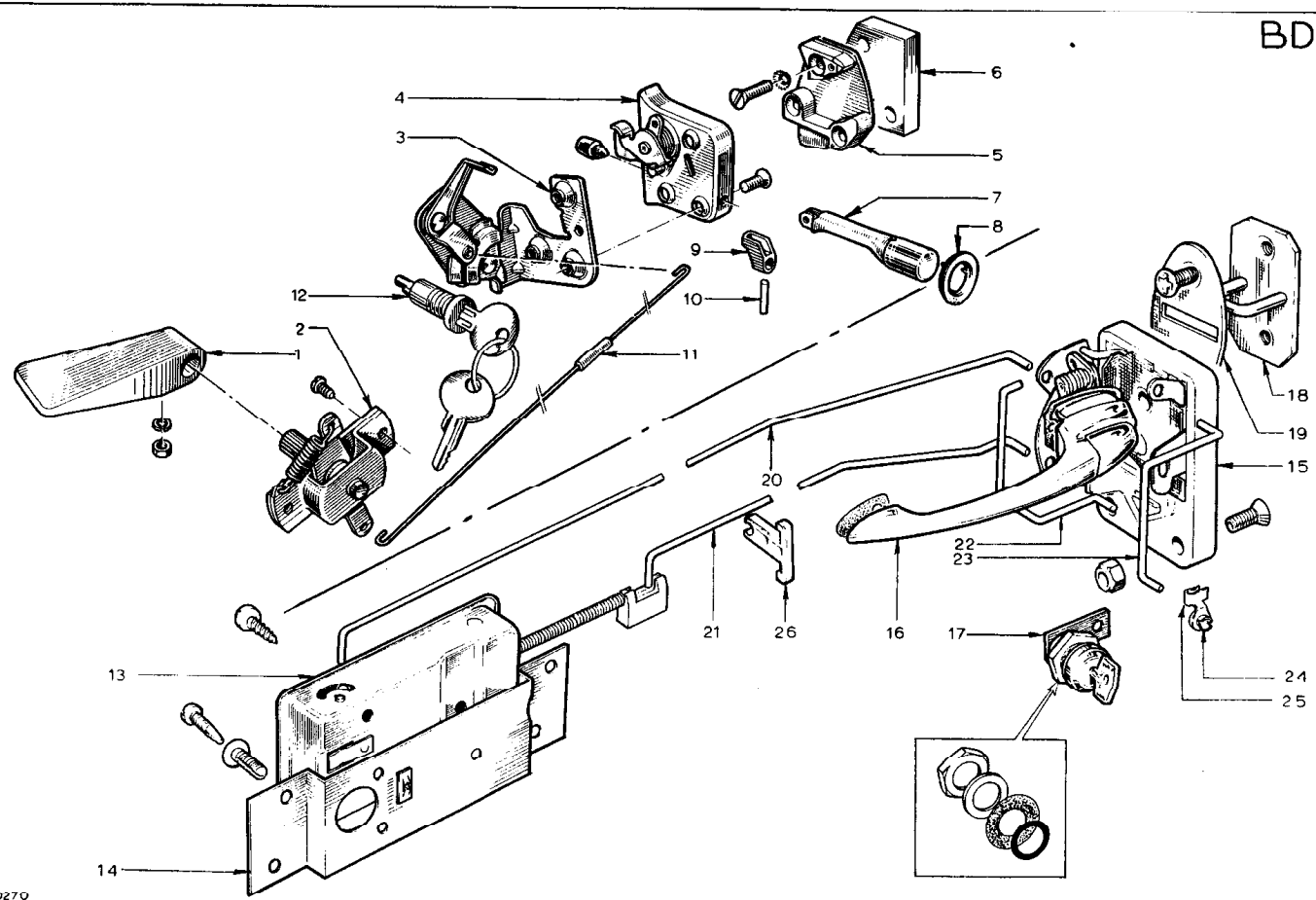


PLATE Ref: No.	PART No.	QUANTITY					STEERING		DESCRIPTION	CHANGE POINT	BULLETIN REFERENCE
		ALL	SI.	SI. Mk 1	S2.	S2. Fed.	RH	LH			
	IJFN 120P				2	2			Nut)		From Chassis No.1066
	036 B 1440				2	2			Washer) Private Lock Mounting		From Chassis No.1066
	A036 B 1884				2	2			Friction Washer		From Chassis No.1066
	036 B 6096				2	2			Gasket		From Chassis No.1066
BD.18.	036 B 6054				2	2			Striker Plate		From Chassis No.1066
BD.19.	036 B 6055				2	2			Cover Plate		From Chassis No.1066
	KUPS 0416				4	4			Screw - Striker Mounting		From Chassis No. 1066
BD.20.	054 B 1411				1	1			Locking Rod - Remote Control to Lock LH		From Chassis No.1066
	054 B 1412				1	1			Locking Rod - Remote Control to Lock RH		From Chassis No.1066
BD.21.	054 B 1413				1	1			Wire - Remote Control to Lock LH		From Chassis No.1066
	054 B 1414				1	1			Wire - Remote Control to Lock RH		From Chassis No.1066
BD.22.	054 B 1415				1	1			Wire - Handle to Lock LH		From Chassis No.1066
	054 B 1416				1	1			Wire - Handle to Lock RH		From Chassis No.1066
BD.23.	054 B 1423				1	1			Wire - Private Lock to Lock LH		From Chassis No.1066
	054 B 1424				1	1			Wire - Private Lock to Lock RH		From Chassis No.1066
BD.24	036 B 6056				12	12			Bush - Remote Control wire Fixing		From Chassis No.1066
BD.25.	036 B 6098				12	12			Fastener - Remote Control Wire Fixing		From Chassis No.1066
BD.26.	036 R 6155				4	4			Anti-rattle clip		From Chassis No.1066

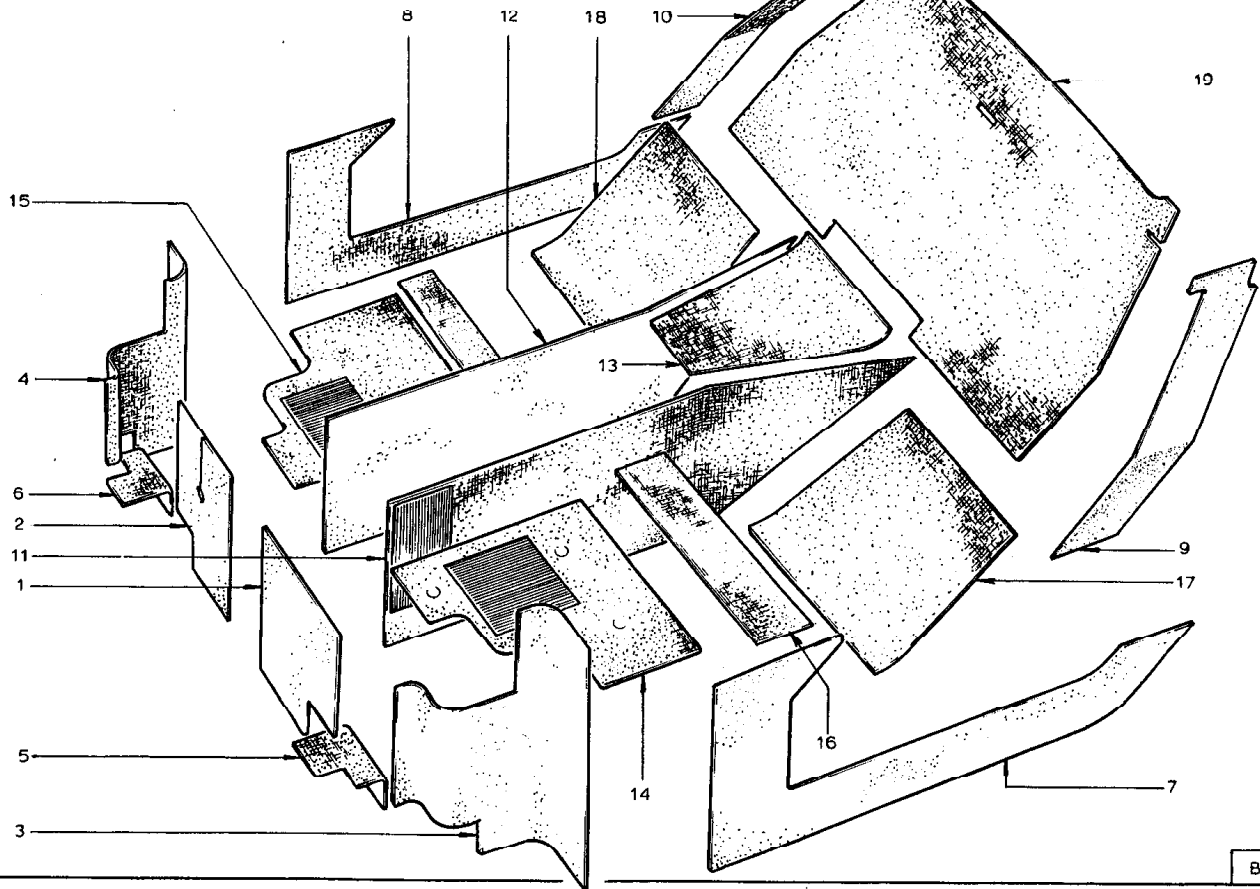


PLATE Ref. No.	PART No.	QUANTITY					STEERING		DESCRIPTION	CHANGE POINT	BULLETIN REFERENCE
		ALL	SI.	SI. Mk 1	S2.	S2. Fed.	RH	LH			
	046 B 0157		1	1							
BE.1.	A054 B 0157				1	1			Carpet - Toeboard/Footbox LH		
	046 B 0158		1	1					Carpet - Toeboard/Footbox LH		
BE.2.	A054 B 0158				1	1			Carpet - Toeboard/Footbox RH		
BE.3.	A046 B 0139	1							Carpet - Toeboard/Footbox RH		
BE.4.	A046 B 0140	1							Carpet - Wheelarch LH		
BE.5.	A054 B 1645				1	1	+		Carpet - Wheelarch RH		
	A054 B 1643				1	1		+	Carpet - Footbox Filler Piece LH, RHD		
BE.6.	A054 B 1646				1	1	+		Carpet - Footbox Filler Piece LH, LHD		
	A054 B 1644				1	1		+	Carpet - Footbox Filler Piece RH, RHD		
	046 B 6088	1	1						Carpet - Footbox Filler Piece, RH, LHD		
BE.7.	A054 B 0875				1	1			Carpet - Door Surround LH		
	046 B 6087	1	1						Carpet - Door Surround LH		
BE.8.	A054 B 0576				1	1			Carpet - Door Surround RH		
BE.9.	A054 B 1825				1	1			Carpet - Door Surround RH		
BE.10.	A054 B 1826				1	1			Carpet - Doorpost LH		
	046 B 0143		1	1					Carpet - Doorpost RH		
BE.11.	054 B 0143				1	1			Carpet - Tunnel Side LH		
	046 B 0144	1	1						Carpet - Tunnel Side LH		
BE.12.	054 B 0144				1	1			Carpet - Tunnel Side RH		
BE.13.	A054 B 1636				1	1			Carpet - Tunnel Side RH		
BE.14.	A05 B 2049	1					+		Carpet - Tunnel Top		
	A065 B 2053	1						+	Carpet - Floor LH		
BE.15.	A065 B 2050	1					+		Carpet - Floor LH		
	A065 B 2054	1						+	Carpet - Floor RH		
BE.16.	A065 B 2052	1						+	Carpet - Floor RH		
BE.17.	A054 B 1639				1	1			Carpet - Floor Underseat		
BE.18.	A054 B 1640				1	1			Carpet - Bulkhead Lower LH		
BE.19.	A054 B 1139				1	1			Carpet - Bulkhead Lower RH		
					1	1			Carpet - Bulkhead Upper		

BF

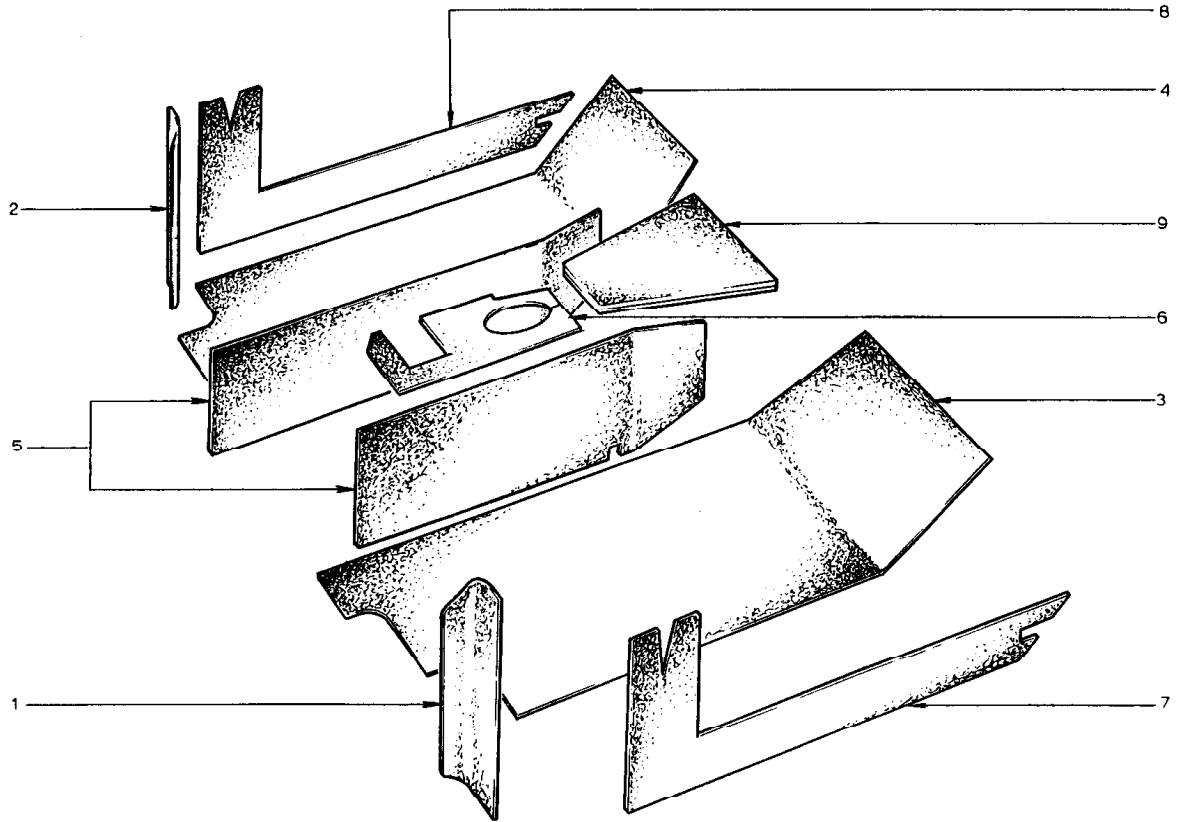


PLATE Ref: No.	PART No.	QUANTITY					STEERING		DESCRIPTION	CHANGE POINT	BULLETIN REFERENCE
		ALL	St.	St. Mk 1	S2.	S2. Fed.	RH	LH			
BF.1.	054 B 0165				1	1			Felt - Front Wheelarch LH		
BF.2.	054 B 0166				1	1			Felt - Front Wheelarch RH		
	046 B 0167		1	1					Felt - Floor LH		
BF.3.	054 B 0167				1	1			Felt - Floor LH		
	046 B 0168		1	1					Felt - Floor RH		
BF.4.	054 B 0168				1	1			Felt - Floor RH		
BF.5.	054 B 0175				1	1			Felt - Tunnel Side LH		
	054 B 0176				1	1			Felt - Tunnel Side RH		
	046 B 1139		1	1					Felt - Tunnel Saddle		
BF.6.	A054 B 0180				1	1			Felt - Tunnel Saddle		
BF.7.	054 B 1481				1	1			Felt - Door Surround LH		
BF.8.	054 B 1482				1	1			Felt - Door Surround RH		
BF.9.	A054 B 1483				1	1			Felt - Tunnel Top Rear		
	A054 B 0179				1	1			Felt - Tunnel Top Front		
	046 B 1137		1	1					Felt - Bulkhead		
	A054 B 1137				1	1			Felt - Bulkhead		
	046 B 1140		1	1					Felt - Front Box, Top		
	046 B 1154		1	1					Felt - Seat Back Adjusting		
	046 B 0625		1	1					Felt - Front Box Rear Face LH		
	046 B 0626		1	1					Felt - Front Box Rear Face RH		

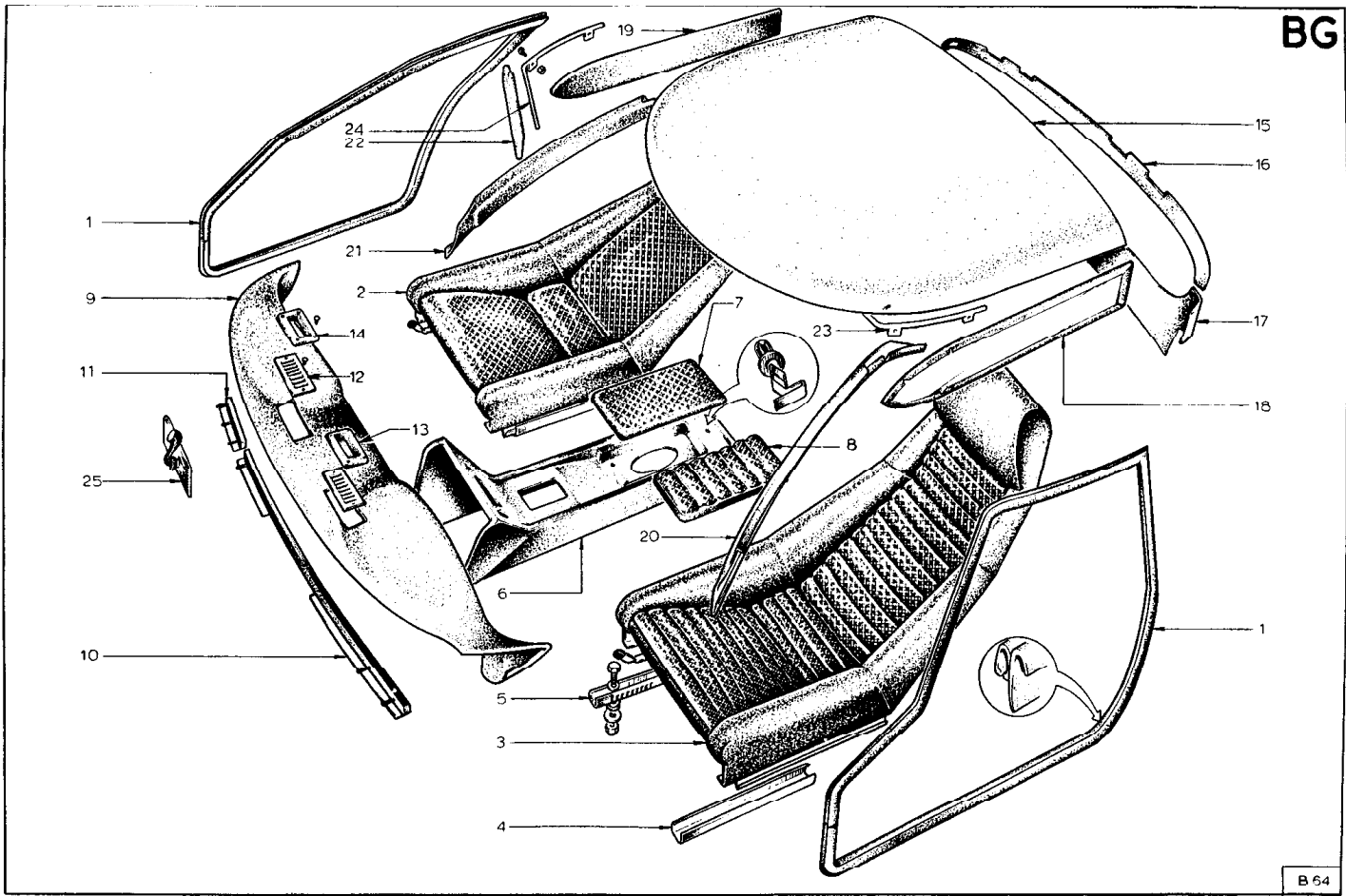


PLATE Ref: No.	PART No.	QUANTITY					STEERING		DESCRIPTION	CHANGE POINT	BULLETIN REFERENCE
		ALL	ST.	ST. Mk I	S2:	S2. Fed.	RH	LH			
	046 B 6022	1							Replaced by 054 B 1683		
BG.1.	054 B 1683	2							Door Seal		
BG.2.	046 B 0135		2	2					Seat Cushion and Squab		
	054 B 1174				2	2			Seat Assembly (Cirrus)	Upto:	
BG.3.	A065 B 1174				2	2			Seat Assembly (Ambla)	From:	
BG.4.	054 B 6016				2	2			Seat Runner		
BG.5.	054 B 6019				2	2			Seat Runner - with catch		
	XUFB 0510				8	8			Bolt)		
	A05W 1007				16	16			Washer)		
	YUFM 050F				12	12			Nut)		
	A05W 1606				16	16			Washer)		
	XUFB 0516				8	8			Bolt)		
	A05W 2006				8	8			Washer)		
	046 B 0243		1	1					Tunnel Cover and Armrest		
BG.6.	054 B 0243				1				Tunnel Cover	Upto Chassis No. 1329	
	A054 B 0243				1	1			Tunnel Cover	From Chassis No. 1330	
BG.7.	054 B 0811				1	1			Armrest (Cirrus)	Upto:	
BG.8.	A065 B 0811				1	1			Armrest (Ambla)	From:	
	W0010				2	2			Clip)		
	036 B 6007				2	2			Snap Sec)		
BG.9.	050 B 0230				1	1			Crash Pad		
BG.10.	054 B 1161				1	1		+	Facia Rail - Main		
	054 B 1162				1			+	Facia Rail - Main		
BG.11.	054 B 1163				1	1			Facia Rail - End		
	054 B 1164				1			+	Facia Rail - End		
BG.12.	050 B 6049				2				Demist Grille		
	050 B 6049					2			Demist Grille	Upto Chassis No. 1463	
11.70											

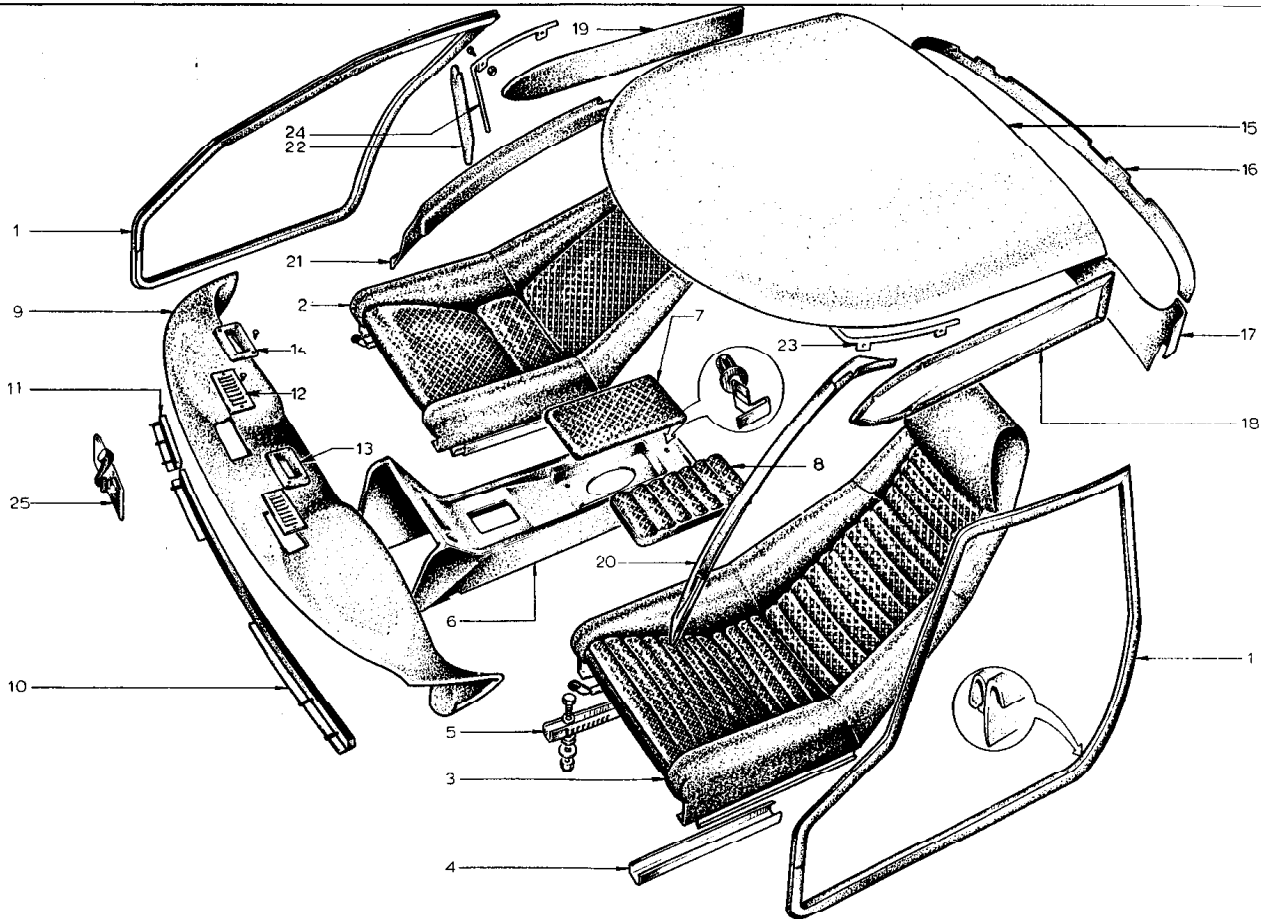


PLATE Ref. No.	PART No.	QUANTITY					STEERING		DESCRIPTION	CHANGE POINT	BULLETIN REFERENCE
		ALL	S1.	S1. Mk 1	S2.	S2. Fed.	RH	LH			
	KSTS 0616				4				Screw)		
	KSTS 0616								Screw)		
	036 B 6001				4				Nut) Demist Grille Mounting	Upto Chassis No. 1463	
	036 B 6001								Nut)		
BG.13.	054 P 0069									Upto Chassis No. 1463	
BG.14.	054 P 0070								Demist Nozzle Bezel LH	From Chassis No. 1464	
	KSTS 0416								Demist Nozzle Bezel RH	From Chassis No. 1464	
	W0205		-	-					Screw - Bezel to Mounting Bracket	From Chassis No. 1464	
BG.15.	054 B 0360	1							Headliner replaced by		
									Headliner		
BG.16.	054 B 1443				1	1			Rear Window Surround - Upper		
BG.17.	054 B 1484				1	1			Rear Window Surround - Lower		
BG.18.	054 B 0717				1	1			Centrail LH		
BG.19.	054 B 0718				1	1			Centrail RH		
	046 B 0361		1	1					Windscreen Pillar Trim LH		
BG.20.	054 B 0361				1	1			Windscreen Pillar Trim LH		
	046 B 0362		1	1					Windscreen Pillar Trim RH		
BG.21.	054 B 0362				1	1			Windscreen Pillar Trim RH		
	054 B 6049				-	-			Replaced by 054 B 1720		
BG.22.	054 B 1720				2	2			Sun Visor		
	046 B 1219		1	1					Mounting Bracket - Sun Visor		
BG.23.	046 B 1291				1	1			Mounting Bracket - Sun Visor LH		
	046 B 1220		1	1					Mounting Bracket - Sun Visor RH		
BG.24.	046 B 1292				1	1			Mounting Bracket - Sun Visor RH		
	PUPF 1008	2							Screw)		
	YUPN 100F	2							Nut) Sun Visor Mounting Bracket to Body		
	A03W 0806		4	4					Washer)		
	A046 B 6039	-							Replaced by 036 B 6031		
BG.25.	036 B 6031	1							Interior Mirror		

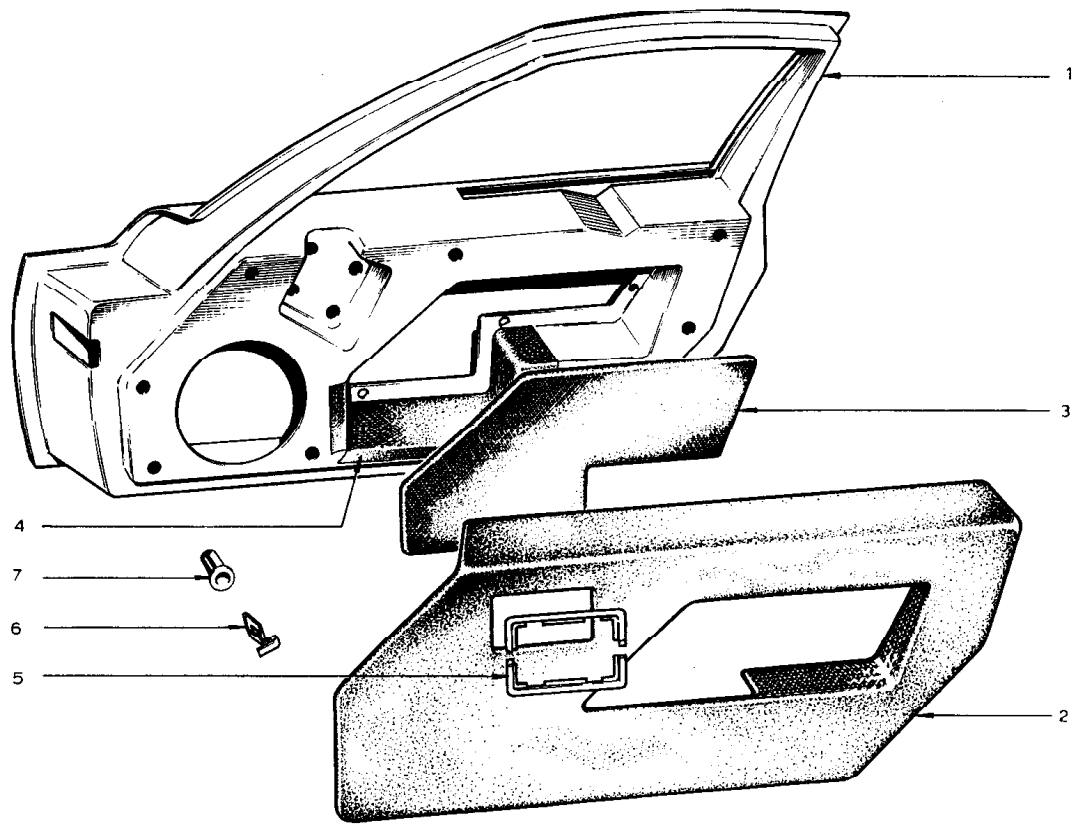


PLATE Ref. No.	PART No.	QUANTITY					STEERING		DESCRIPTION	CHANGE POINT	BULLETIN REFERENCE
		ALL	ST.	ST. Mk 1	S2.	S2. Fed.	RH	LH			
	046 B 0088		1	1							
	054 B 0089				1					Up to Chassis No. 0644 From Chassis No. 0645 to 1065	
	A054 B 0089					1				From Chassis No. 1066	
BH.1.	046 B 0089		1	1						Up to Chassis No. 0644	
	054 B 0088				1					From Chassis No. 0645 to 1065	
	A054 B 0088					1				From Chassis No. 1066	
	046 B 0427		2	2						Up to Chassis No. 0644	
	054 B 0721				1	1				From Chassis No. 0645	
BH.2.	054 B 0722				1	1				From Chassis No. 0645	
BH.3.	054 B 0918				1	1				From Chassis No. 0645	
	054 B 0919				1	1				From Chassis No. 0645	
BH.4.	054 B 1698				2	2				From Chassis No. 0645	
BH.5.	054 B 6059				2	2				From Chassis No. 0645	
BH.6.	W0010				16	16					
BH.7.	046 B 6037				16	16					
	046 B 6020		2	2							

BJ

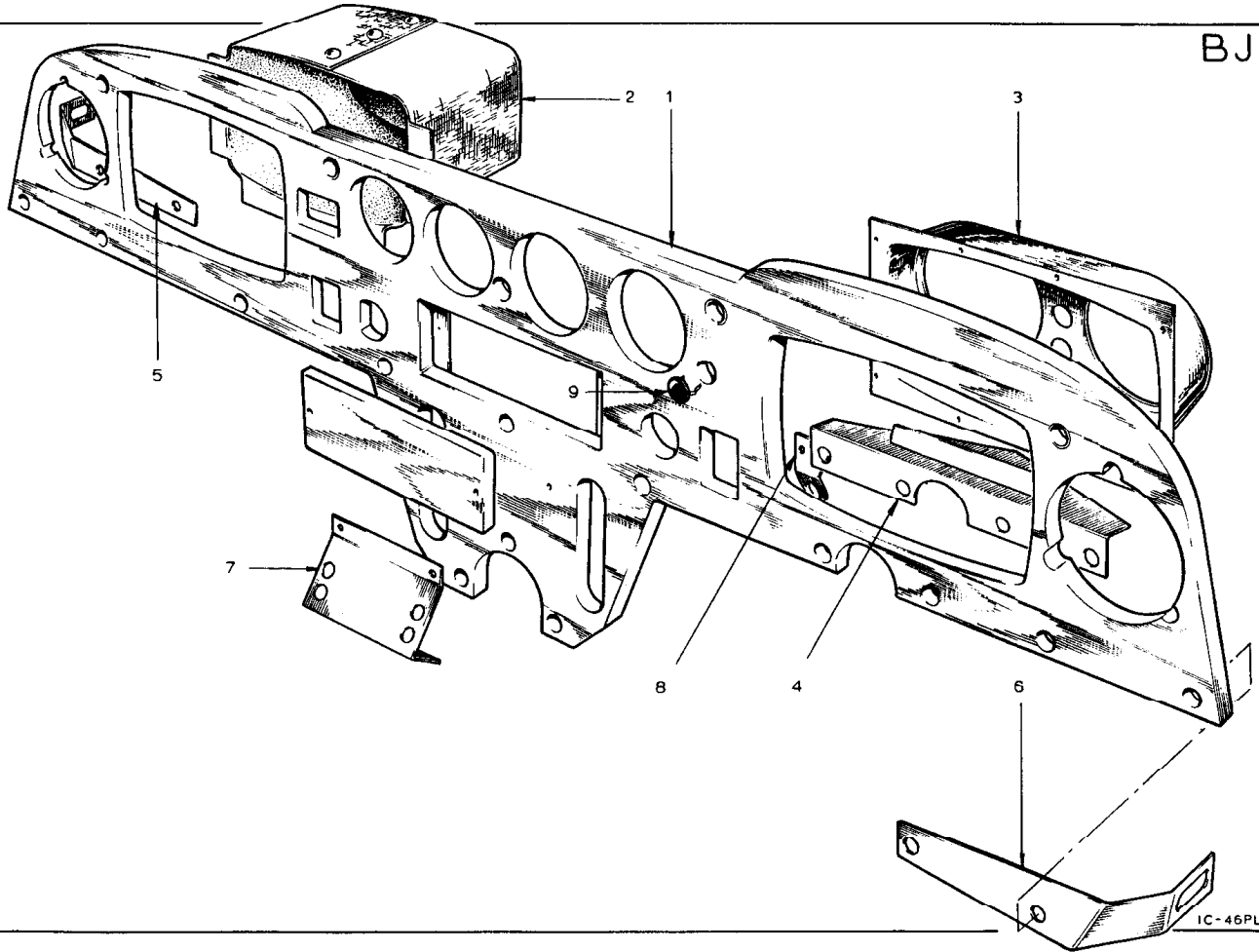


PLATE Ref. No.	PART No.	QUANTITY					STEERING		DESCRIPTION	CHANGE POINT	BULLETIN REFERENCE
		ALL	S1.	S1. Mk I	S2.	S2. Fed.	RH	LH			
	046 B 0237		1					+	Facia Panel	Upto Chassis No. 0299 excluding 0270, 0271 and 0272	
	A046 B 0237			1				+	Facia Panel	From Chassis No. 0300 including 0270, 0271 and 0272	
	046 B 1071		1	1					Instrument Mounting Panel		
BJ.1.	054 B 0238				1			+	Facia Panel	Upto Chassis No. 1172	
	054 B 0237				1			+	Facia Panel	Upto Chassis No. 1306	
	054 B 0238A				1			+	Facia Panel	From Chassis No. 1173	
	054 B 0237A				1			+	Facia Panel - except Sweden 1970	From Chassis No. 1387	
	A054 B 0237					1		+	Facia Panel	From Chassis No. 1066	
	A054 B 0237				1			+	Facia Panel without hazard warning and brake fail marking - Sweden only	From January 1970	
BJ.2.	054 B 0195				1	1			Glove Box		
BJ.3.	054 B 1408				1	1			Instrument Binnacle		
	RWDS 0406				17	17			Screw - Instrument Binnacle and Glove Box to Facia		
BJ.4.	054 II 0031				1	1			Support Bracket - Steering Column		
	A034 0806				2	2			Washer)		
	RWDS 0406				2	2			Screw) Support Bracket to Facia		
BJ.5.	054 B 1459				1	1			Facia Support Bracket	Upto Chassis No.	
	A054 B 1459				1	1			Facia Support Bracket	From Chassis No.	
BJ.6.	054 B 1460				1	1			Facia Support Bracket	Upto Chassis No.	
	A054 B 1460				1	1			Facia Support Bracket	From Chassis No.	
	AUFN 030F				4	4			Nut)		
	A034 0806				4	4			Washer) Support Bracket/Facia Rail to Facia Panel		
BJ.7.	054 B 1462				1	1			Mounting Bracket - Window Switches and Ashtray		
	433B				4	4			Rivet - Mounting Bracket to Tunnel Top		
03.70											

BJ

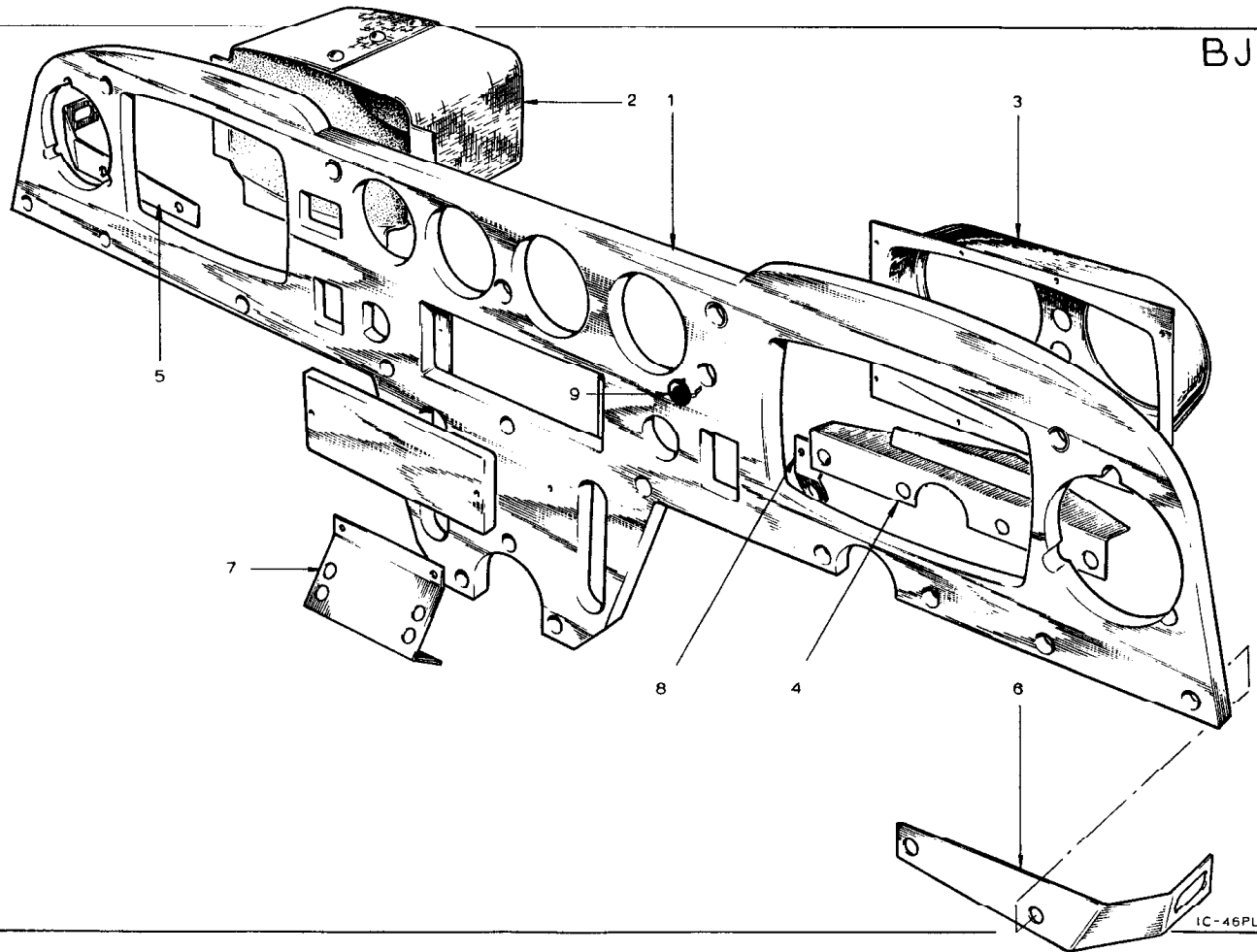
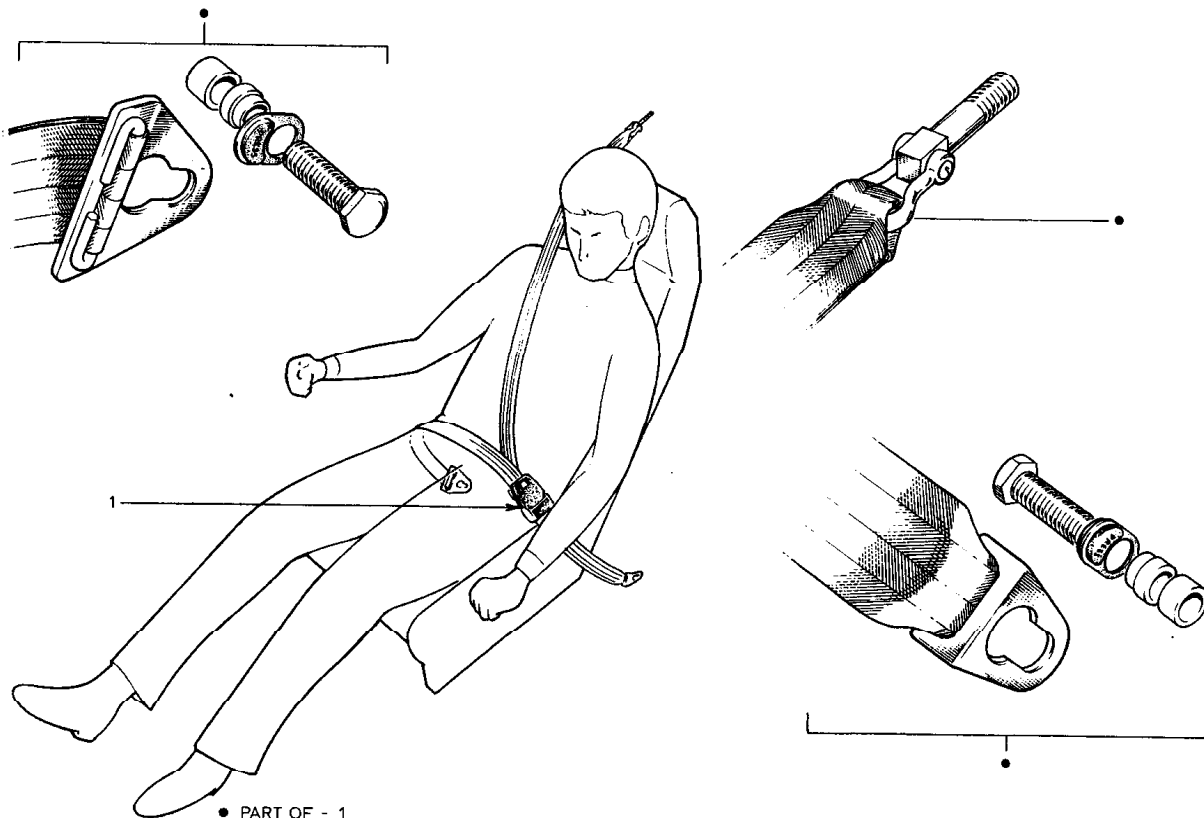


PLATE Ref. No.	PART No.	QUANTITY					STEERING		DESCRIPTION	CHANGE POINT	BULLETIN REFERENCE
		ALL	SI.	SI. Mk I	S2.	S2. Fed.	RH	LH			
BJ.8.	054 B 1463				1				Mounting Bracket - Speedometer Trip Cable		
	054 B 1539					1			Mounting Bracket - Speedometer Trip Cable		
BJ.9.	036 B 6114				2				Blanking Grommet		
	443 B				1				Blanking Grommet (Germany, Italy, Switzerland and Japan)	Tot	
	050 B 6155					1			Blanking Grommet		
	KSTS 0612	10	10						Screw)		
	54 B 6003				4	4			Screw)		
	W 0092	10	10						'Cup Washer')		
	XUFS 0412				2	2			Screw)	Facia Mounting	
	YUPN 040P				2	2			nut)		
	A04W 0904				2	2			Washer)		
	PO4W 0805				2	2			Washer, Fibre)		
	054 B 1345				2	2			Mounting Angle)		
	A046 B 0197				1				Glove Box Lid		
	046 B 6121				1				Hinge- Glove Box		
	046 B 6122				1				Check Strap		
	036 B 6033				6				Rivet - Hinge to Facia		
	KSPS 0306				6				Screw - Hinge to Lid		
	KUPS 0646				10				Screw - Facia Mounting		



● PART OF - 1

PLATE Ref: No.	PART No.	QUANTITY					STEERING		DESCRIPTION	CHANGE POINT	BULLETIN REFERENCE
		ALL	SI.	SI. Mk 1	S2.	S2. Fed.	RH	LH			
	046 B 0780	2							Seat Belt Kit	Upto	
BK.1.	A046 B 0780	2							Seat Belt Kit	From	

BL

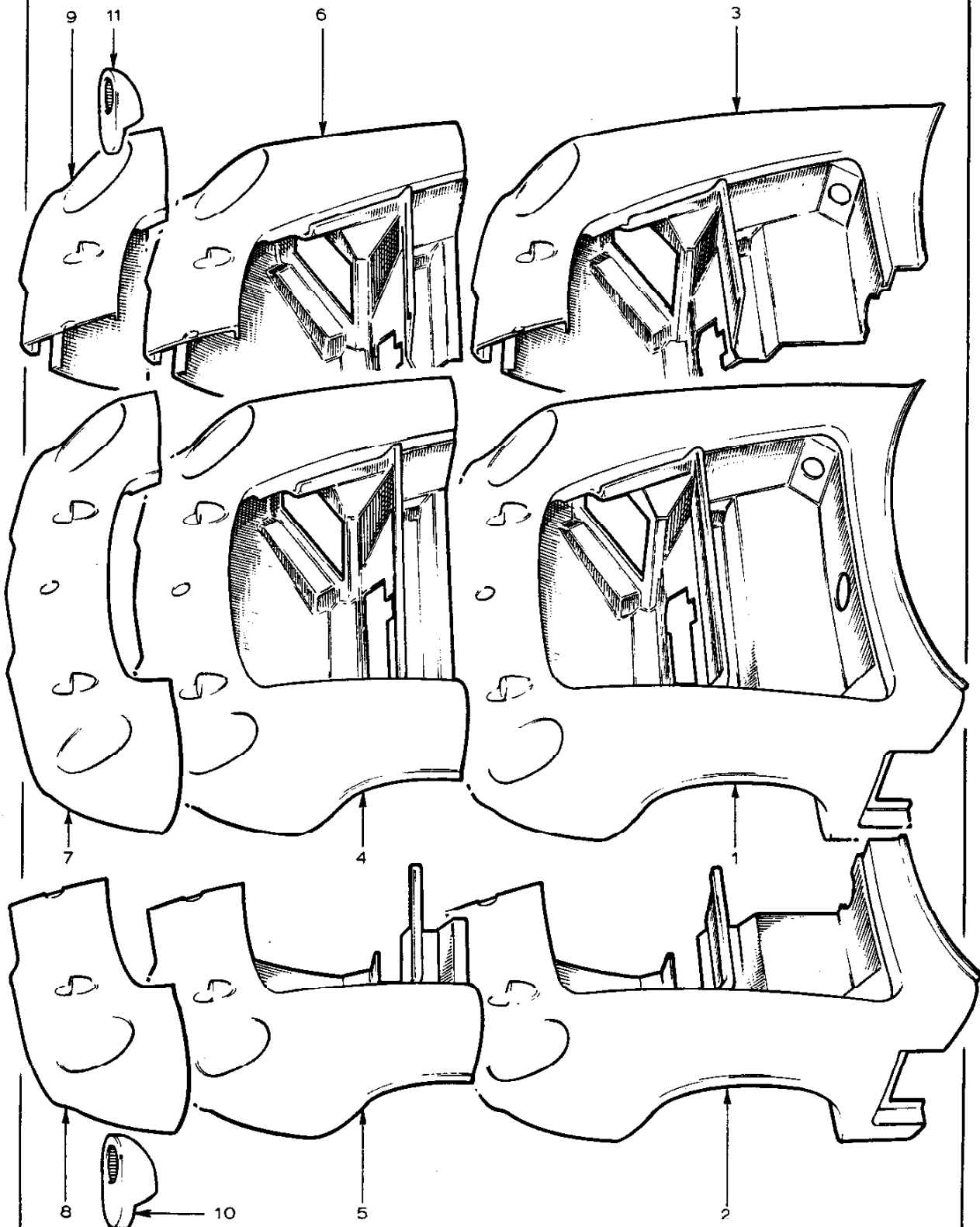


PLATE Ref. No.	PART No.	QUANTITY					STEERING		DESCRIPTION	CHANGE POINT	BULLETIN REFERENCE
		ALL	ST.	ST. Mk 1	S2.	S2. Fed.	RH	LH			
BL.1.	046 B 6130		1	1					Full Front Section	Upto Chassis No. 0644	
	054 B 6040				1				Full Front Section	From Chassis No. 0645	
	A054 B 6040					1			Full Front Section	Upto Chassis No.	
BL.2.	065 B 6000					1			Full Front Section	From Chassis No.	
	046 B 6131		1	1					Half Full Front Section LH	Upto Chassis No. 0644	
	054 B 6041				1				Half Full Front Section LH	From Chassis No. 0645	
BL.3.	A054 B 6041					1			Half Full Front Section LH	Upto Chassis No.	
	065 B 6001					1			Half Full Front Section LH	From Chassis No.	
	046 B 6132		1	1					Half Full Front Section RH	Upto Chassis No. 0644	
BL.4.	054 B 6042				1				Half Full Front Section RH	From Chassis No. 0645	
	A054 B 6042					1			Half Full Front Section RH	Upto Chassis No.	
	065 B 6002					1			Half Full Front Section RH	From Chassis No.	
BL.5.	046 B 6127		1	1					Mid Full Front Section	Upto Chassis No. 0644	
	054 B 6053				1				Mid Full Front Section	From Chassis No. 0645	
	A054 B 6053					1			Mid Full Front Section	Upto Chassis No.	
BL.6.	065 B 6003					1			Mid Full Front Section	From Chassis No.	
	046 B 6129		1	1					Half Mid Front Section LH	Upto Chassis No. 0644	
	054 B 6054				1				Half Mid Front Section LH	From Chassis No. 0645	
BL.7.	A054 B 6054					1			Half Mid Front Section LH	Upto Chassis No.	
	065 B 6005					1			Half Mid Front Section LH	From Chassis No.	
	046 B 6128		1	1					Half Mid Front Section RH	Upto Chassis No. 0644	
BL.8.	054 B 6055				1				Half Mid Front Section RH	From Chassis No. 0645	
	A054 B 6055					1			Half Mid Front Section RH	Upto Chassis No.	
	065 B 6006					1			Half Mid Front Section RH	From Chassis No.	
03.70											

BL

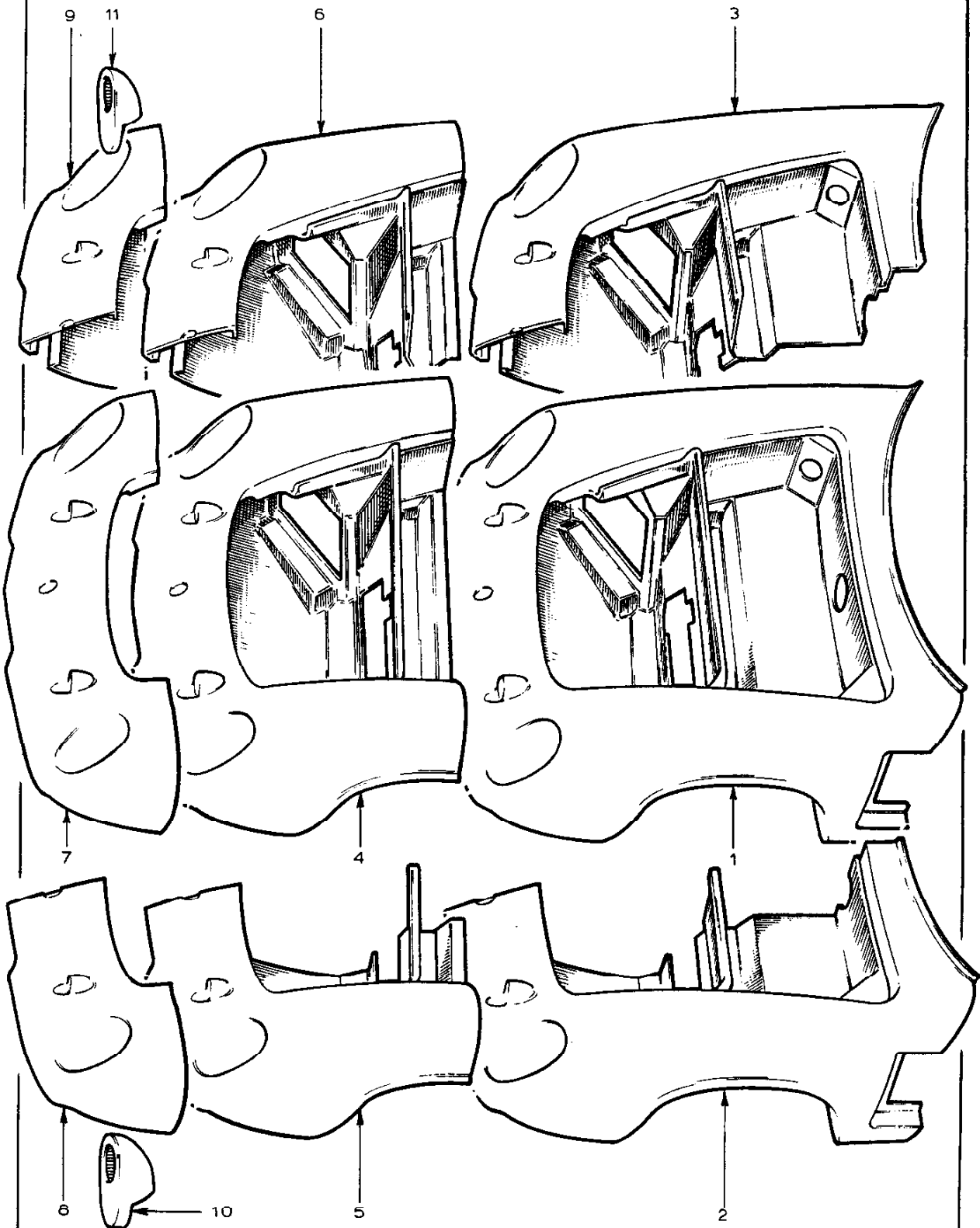


PLATE Ref: No.	PART No.	QUANTITY					STEERING		DESCRIPTION	CHANGE POINT	BULLETIN REFERENCE
		ALL	SI.	SI. Mk 1	S2.	S2. Fed.	RH	LH			
BL.7.	046 B 6104		1	1					Short Nose Section	Up to Chassis No. 0644	
	054 B 6056				1				Short Nose Section	From Chassis No. 0645	
	A054 B 6056					1			Short Nose Section	Up to Chassis No.	
BL.8.	046 B 6097		1	1					Short Nose Section	From Chassis No.	
	054 B 6057				1				Half Short Nose LH	Up to Chassis No. 0644	
	A 054 B 6057					1			Half Short Nose LH	From Chassis No. 0645	
BL.9.	065 B 6007					1			Half ShortFront LH	Up to Chassis No.	
	046 B 6096		1	1					Half ShortFront LH	From Chassis No.	
	054 B 6068				1				Half Short Front RH	U; to Chassis No. 0644	
BL.10.	A054 B 6068					1			Half Short Front RH	From Chassis No. 0645	
	065 B 6008					1			Half Short Front RH	Up to Chassis No.	
	054 B 0933					1			Headlamp Pod LH	From Chassis No. 1450 to 2061	
B.L.11.	A054 B 0933					1			Headlamp Pod LH	From Chassis No. 2067 to	
	054 B 0934					1			Headlamp Pod RH	From Chassis No. 1450 to	

BM

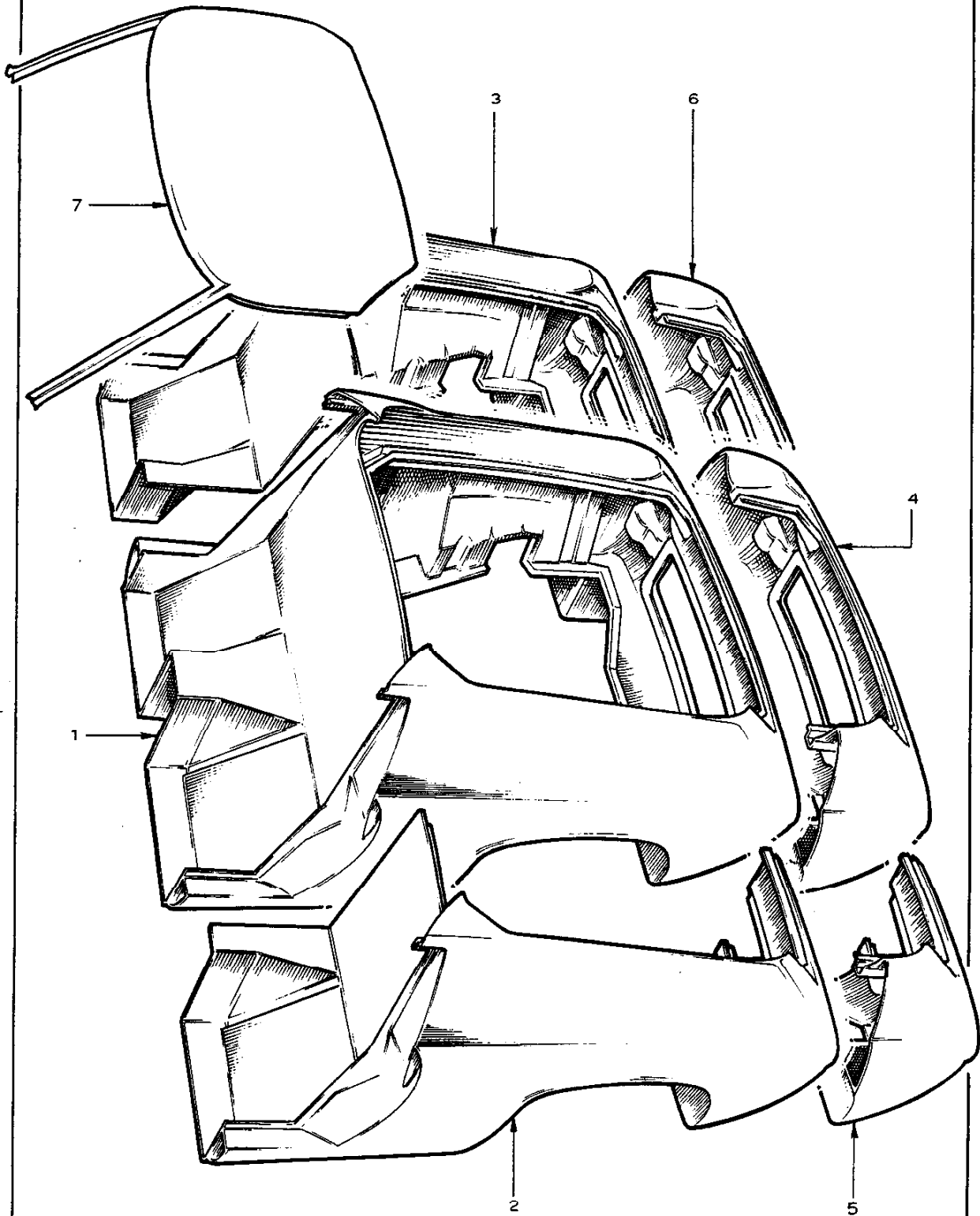


PLATE Ref: No.	PART No.	QUANTITY					STEERING		DESCRIPTION	CHANGE POINT	BULLETIN REFERENCE
		ALL	SI.	SI. Mk 1	S2.	S2. Fed.	RH	LH			
BM.1.	046 B 6101	1	1						Full Rear Section	Up to Chassis No. 0542	
	054 B 6043				1	1			Full Rear Section	From Chassis No. 0543	
BM.2.	046 B 6103	1	1						Half Full Rear LH	Up to Chassis No. 0542	
	054 B 6045				1	1			Half Full Rear LH	From Chassis No. 0542	
BM.3.	046 B 6102	1	1						Half Full Rear RH	Up to Chassis No. 0542	
	054 B 6044				1	1			Half Full Rear RH	From Chassis No. 0543	
BM.4.	046 B 6100	1	1						Short Rear	Up to Chassis No. 0542	
	054 B 6046				1	1			Short Rear	From Chassis No. 0543	
BM.5.	046 B 6099	1	1						Half Short Rear LH	Up to Chassis No. 0542	
	054 B 6047				1	1			Half Short Rear LH	From Chassis No. 0543	
BM.6.	046 B 6098	1	1						Half Short Rear RH	Up to Chassis No. 0542	
	054 B 6048				1	1			Half Short Rear RH	From Chassis No. 0543	
BM.7.	A046 B 6138	1							Roof Panel including Windscreen Pillars	Up to Chassis No.	

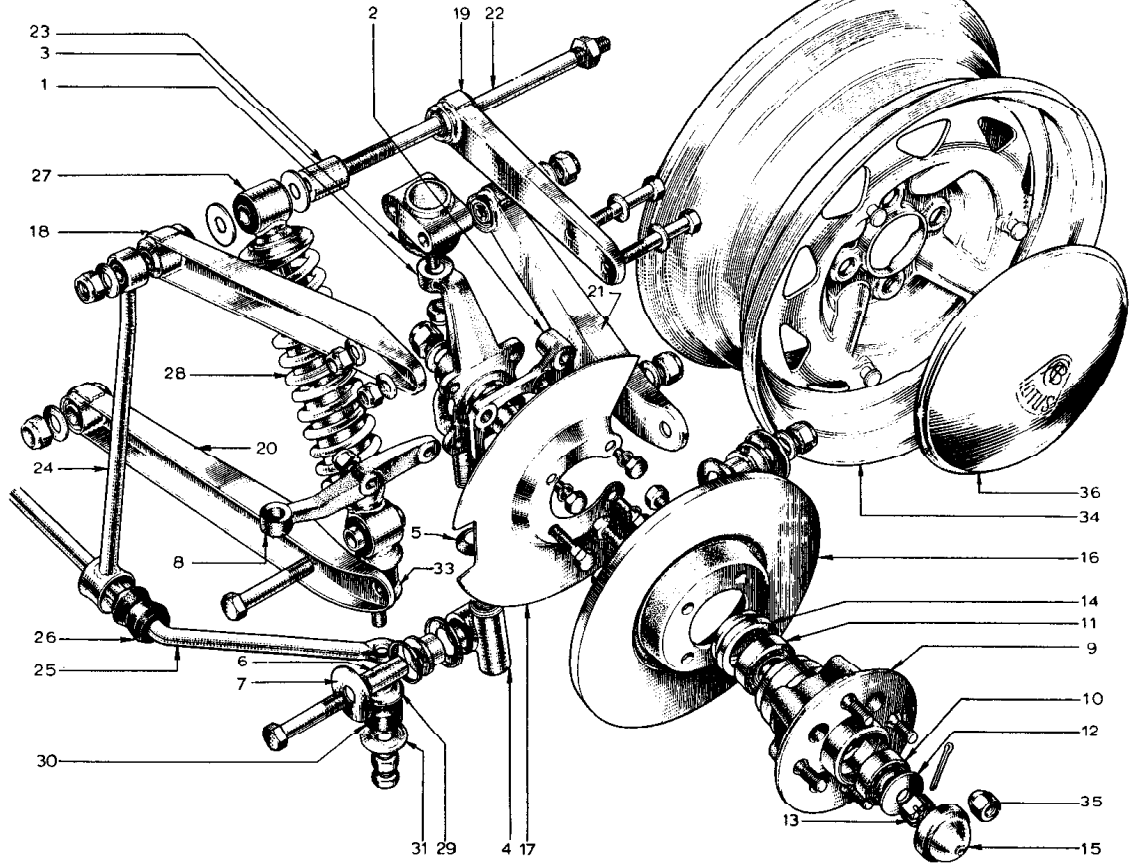


PLATE Ref: No.	PART No.	QUANTITY					STEERING		DESCRIPTION	CHANGE POINT	BULLETIN REFERENCE
		ALL	SI.	SI. Mk I	S2.	S2. Fed.	RH	LH			
	036 C 6005	1							Vertical Link RH		
CA.1.	036 C 6006	1							Vertical Link LH		
	036 C 6008	2							Stub axle		
	036 C 6011	2							Nut)		
	036 C 6033	2							Nut) Optional		
	036 C 6012	2							Washer)		
	036 C 6034	2							Washer) Optional		
	036 C 6021	1							Washer)		
CA.2.	036 C 6022	1							Caliper Mounting Plate RH		
CA.3.	036 C 6007	2							Caliper Mounting Plate LH		
	YUPN 0705	2							Ball Joint Assembly Upper		
	036 C 6025	1							Nut - Ball Joint to Stub Axle		
CA.4.	036 C 6026	1							Lower Trunnion Assembly RH		
CA.5.	036 C 6028	2							Lower Trunnion Assembly LH		
CA.6.	036 C 6031	2							Seal, Lower Trunnion		
	036 C 6030	4							Sleeve, Lower Trunnion		
CA.7.	036 C 6032	4							Seal, Lower Trunnion		
	036 C 6029	4							Washer, Lower Trunnion		
	050 B 6005	4							Washer, Lower Trunnion		
	XUPB 0740	2							Bush, Lower Trunnion		
	YUPN 070F	2							Bolt)		
	A07W 1405	2							Nut) Lower trunnion to Wishbone		
	036 H 6000	1							Washer)		
CA.8.	036 H 6001	1							Steering Arm RH		
CA.9.	036 C 6014	2							Steering Arm LH		
	036 C 6015	8							Front Hub		
CA.10.	036 C 6016	2							Wheel Stud		
CA.11.	036 C 6017	2							Wheel Bearing, Outer		
12.70									Wheel Bearing, Inner		

CA

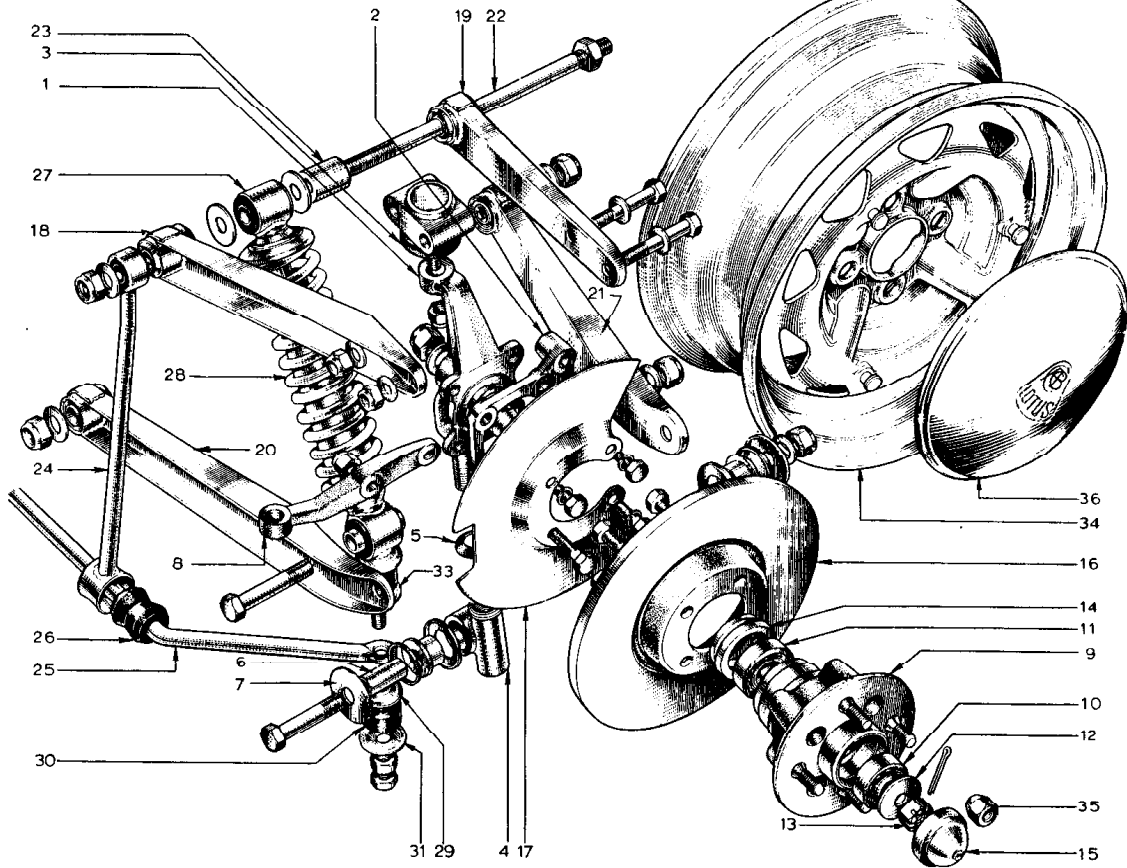
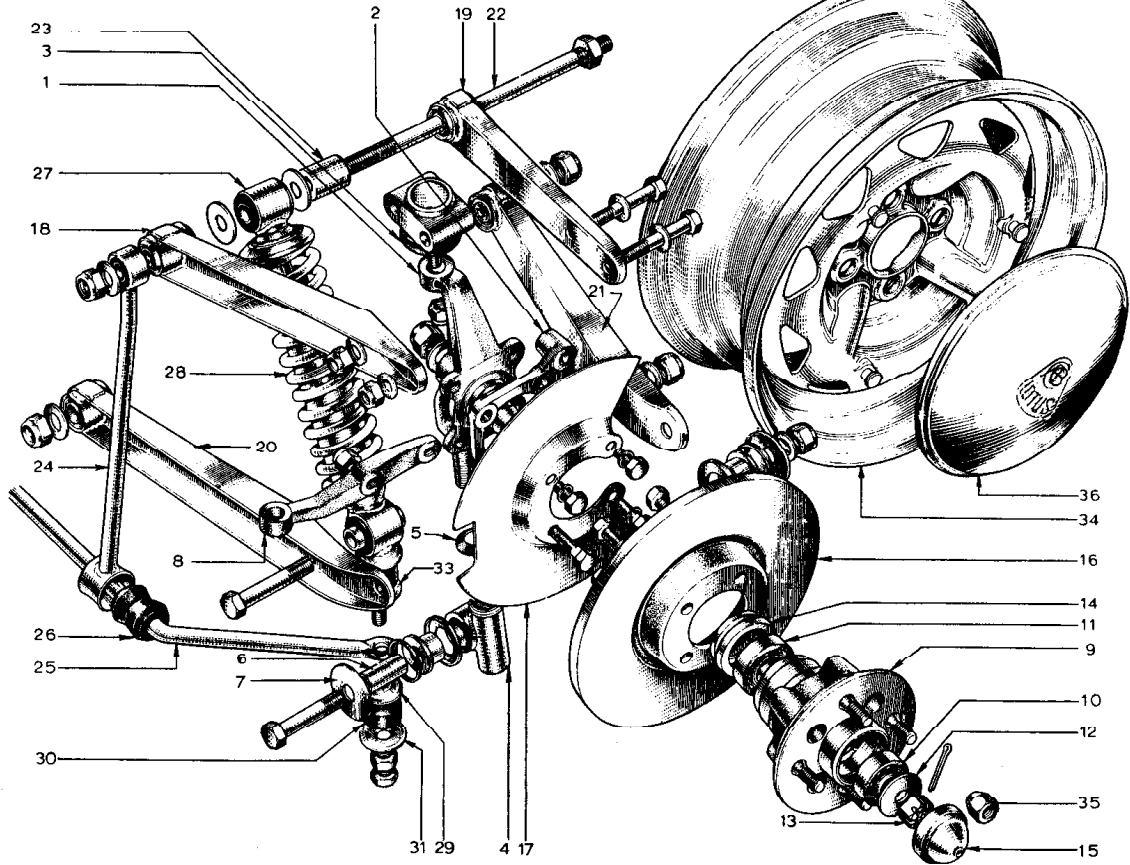


PLATE Ref: No.	PART No.	QUANTITY					STEERING		DESCRIPTION	CHANGE POINT	BULLETIN REFERENCE
		ALL	S1.	S1. Mk I	S2.	S2. Fed.	RH	LH			
CA.12.	036 C 6009	2									
CA.13.	036 C 6010	2						1" Washer)			
	W 0087	2						1" Slotted" Nut) Hub to Stub Axle			
	036 J 6009	8						Split Pin)			
	036 J 6010	8						Bolt) Brake Disc to Front Hub			
CA.14.	036 C 6018	2						Washer)			
CA.15.	036 C 6013	2						Oil Seal - Front Hub			
CA.16.	036 J 6008	2						Grease Cap			
	036 C 6019	1						Brake Disc			
CA.17.	036 C 6020	1						Dust Cover - RH			
	036 C 6023	4						Dust Cover - LH			
	036 C 6024	4						Bolt - Dust Cover & Caliper Mounting Plate to Vertical Link			
	YUPN 060F	2						Bolt - Dust Cover, Caliper Mounting Plate and Steering Arm to Vertical Link			
	046 E 0087	-						Nut			
								Replaced by A046C0093 LH together with:	Up to Chassis No. 0479	Service 1968/19 Parts III 1969/40	
								1 off A046 C 0094			
								1 off A046 C 0095			
								1 off A046 C 0096			
								2 off A046 C 0710			
CA.18.	A046 C 0093	1						Wishbone - Top, Leading LH	From Chassis No. 0480		
	046 C 0087	-						Replaced by A046C0094 RH together with:	Up to Chassis No. 0479	Service 1968/19 Parts III 1969/40	
								1 off A046 C 0093			
								1 off A046 C 0095			
								1 off A046 C 0096			
								2 off A046 C 0710			

PLATE Ref: No.	PART No.	QUANTITY					STEERING		DESCRIPTION	CHANGE POINT	BULLETIN REFERENCE
		ALL	ST.	ST. Mk 1	S2.	S2. Fed.	RH	LH			
	A046 C 0094	1							Wishbone, Top leading RH	From Chassis No. 0480	
	046 C 0088	-							Replaced by A046 C 0095 LH together with:	Up to Chassis No. 0479	
									1 off A046 C 0093		
									1 off A046 C 0094		
									1 off A046 C 0096		
									2 off A046 C 0710		
CA.19.	A046 C 0095	1							Wishbone, Top Trailing LH	From Chassis No. 0480	
										to	
	A065 C 0095					1			Wishbone, Top Trailing LH	From Chassis No. 2584	
	046 C 0088	-							Replaced by A046 C 0096 RH together with:	Up to Chassis No. 0479	Service 1968/19 Parts III 1969/40
									1 off A046 C 0093		
									1 off A046 C 0094		
									1 off A046 C 0095		
									2 off A046 C 0710		
	A046 C 0096	1							Wishbone, Top Trailing RH	From Chassis No. 0480	
										to	
	A065 C 0096					1			Wishbone, Top Trailing RH	From Chassis No. 2584	
CA.20.	A046 C 0043	2	2	2					Wishbone, Bottom	Up to Chassis No.	
	A046 C 0043				2				Wishbone, Bottom	Up to Chassis No. 2583	
	A046 C 0043				2				Wishbone, Bottom	From Chassis No. 2584	
CA.21.	A046 C. 0044	2	2	2					Wishbone, Bottom	Up to Chassis No.	
	A046 C 0044				2				Wishbone, Bottom	Up to Chassis No. 2583	
	A045 C 0044				2				Wishbone, Bottom	From Chassis No. 2584	
	036 C 6004	6							Bush - Damper		
	XUPB 0840	2	2	2					Bolt- Damper to Wishbone, Lower	Up to Chassis No.	
	XUPB 0840				2				Bolt - Damper to Wishbone Lower	Up to Chassis No. 2583	
	XUPB 0854				2				Bolt - Damper to Wishbone, Lower	Up to Chassis No. 2584	
	A08W 1606	4							Washer - Damper to Wishbone, Lower		

CA



C6

PLATE Ref: No.	PART No.	QUANTITY					STEERING		DESCRIPTION	CHANGE POINT	BULLETIN REFERENCE
		ALL	SI.	SI. Mk 1	S2.	S2. Fed.	RH	LH			
	YUPN 080F	4							Nut - Damper to Wishbone, Lower		
	A08W 2006					4			Washer	From Chassis No. 2584	
	XUPB 0536	4							Bolt)		
	YUPN 050F	4							Nut) Wishbone to Ball Joint		
	A05W 1007	8							Washer)		
CA.22.	046 C 0092		2	2					Stud - Wishbone, Anti Roll Bar Link and Damper to Chassis	Up to Chassis No. 0644	
	A046 C 0092				2				Stud - Wishbone, Anti Roll Bar Link and Damper to Chassis	From Chassis No. 0645	
	A046 C 0092					2			Stud - Wishbone, Anti Roll Bar Link and Damper to Chassis	From Chassis No. 1066	
	B046 C 0092					2			Stud - Wishbone, Anti Roll Bar Link and Damper to Chassis	From Chassis No. 2584	
	YUPN 080F	6							Nut) Wishbone, Anti Roll Bar Link		
	128F	6							Washer) and Damper to Chassis		
CA.23.	W 0216	2							Spacer Bush, Service Option	Up to Chassis No.	
CA.24.	046 C 0005	2							Link - Anti Roll to Chassis	Up to Chassis No.	
	054 C 0005	2							Link, Anti Roll Bar to Chassis	From Chassis No.	
	046 C 6001	2							Bushy Anti Roll Bar Link		
CA.25.	046 C 0005	1							Anti Roll Bar	Up to Chassis No.	
	A046 C 0005	1							Anti Roll Bar	From Chassis No.	
CA.26.	036 C 6027	2							Bush - Anti Roll Bar to Link		
	046 C 0710	-							Replaced by A046 C 0710 in pairs	Up to Chassis No. 0479	
CA.27.	A946 C 0710		2	2	2				Damper and Spring Assembly	From Chassis No. 0480	
	A046 C 0710					2			Damper and Spring Assembly	to Up to Chassis No. 2583	
	B065 C 0730					2			Damper and Spring Assembly	From Chassis No. 2584	

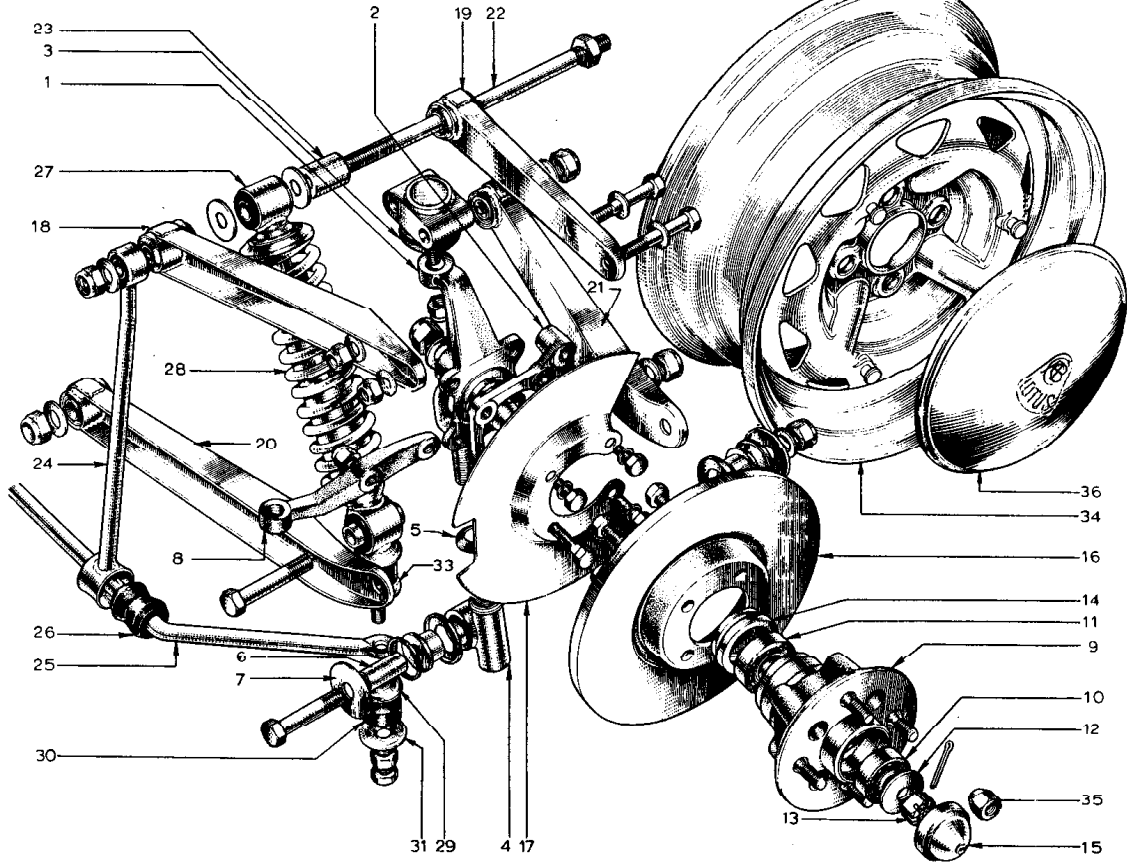


PLATE Ref: No.	PART No.	QUANTITY					STEERING		DESCRIPTION	CHANGE POINT	BULLETIN REFERENCE
		ALL	SI.	SI. Mk 1	S2.	S2: Fed.	RH	LH			
	046 C 0010	-									
CA.28.	A046 C 0010		2	2	2				Replaced by A046 C 0010 in apris Spring - Front	Up to Chassis No. 0479 From Chassis No. 0480	
	A046 C 0010					2			Spring - Front		
	B069 C 0010					2			Spring - Front	tp Up to Chassis No. 2583 From Chassis No. 2584	
CA.29.	036 C 6000	2							Plate)		
CA.30.	046 C 6000	4							Rubber)		
CA.31.	036 C 6003	2							Retainer)	Damper to Anti Roll Bar	
CA.33.	036 C 6001	2							Retainer)		
	AUPN 060P	2							Nut)		
	AUPN 060H								Nut)		
	A065 C 0112				AR	AR			Bush		
CA.34.	026 G 0001	4							Road Wheel		
CA.35.	036 D 6000	8							Wheel Nut		
CA.36.	026 G 0002	4							Hub Cap		

DA

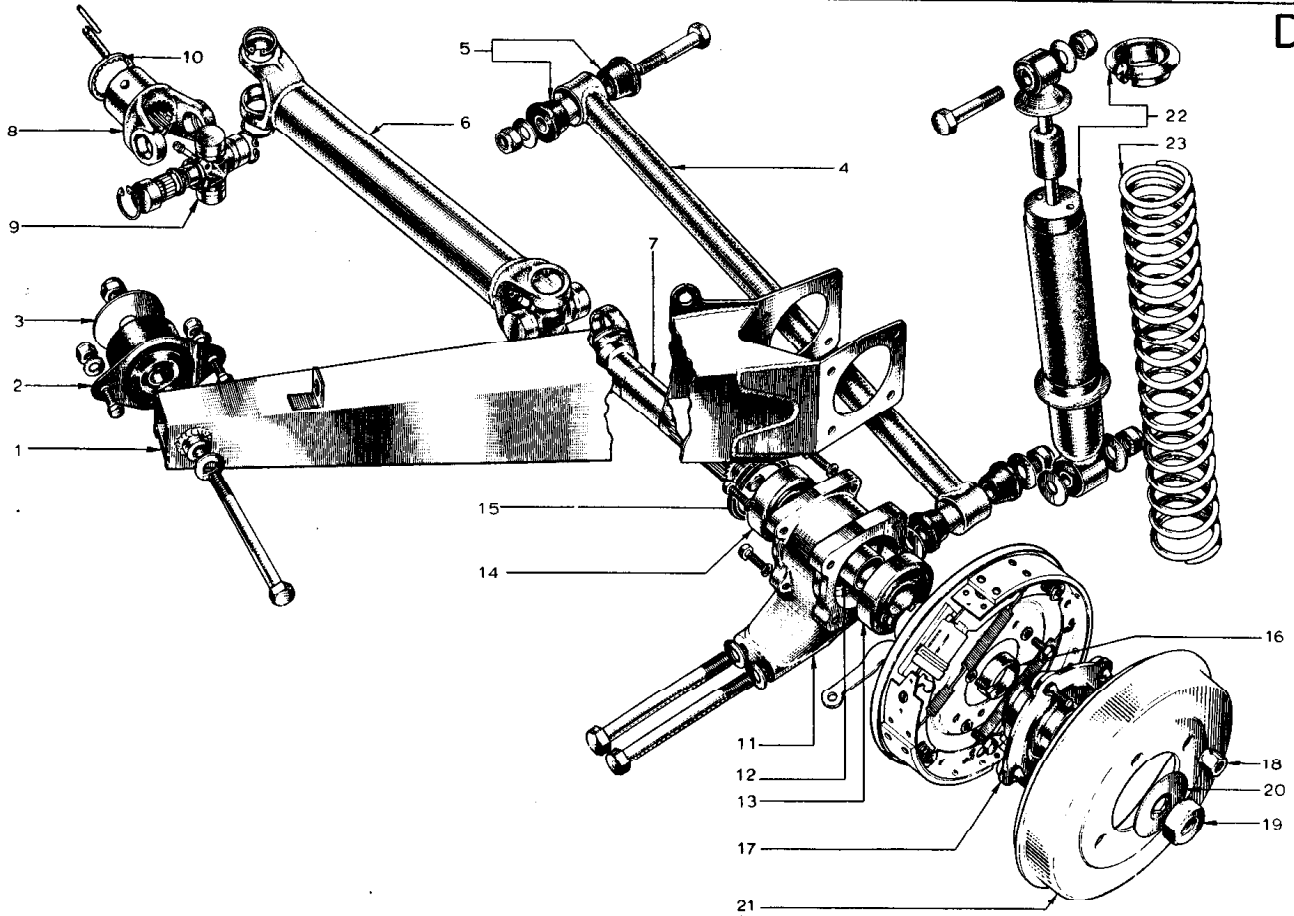


PLATE Ref: No.	PART No.	QUANTITY				STEERING		DESCRIPTION	CHANGE POINT	BULLETIN REFERENCE
		ALL	S1.	S1. Mk 1	S2.	S2. Fed.	RH			
DA.1.	046 D 0131	1						Radius Arm LH		
	046 D 0132	1						Radius Arm RH		
DA.2.	046 D 6000	2						Resilient Mounting		
DA.3.	A07 W 3212	2						Washer)		
	XUFB 0772	2						Bolt) Resilient Mounting		
	YUFW 070F	2						Nut) to Radius Arm		
	A07 W 1405	2						Washer)		
	XUFS 0516	4						Bolt)		
	YUFW 050F	4						Nut) Resilient Mounting to Chassis		
	A05 W 1606	4						Washer)		
	026 B 0079	AR						Washer - Toe - in Adjustment		
DA.4.	046 D 0014	2						Lower Link		
DA.5.	046 D 6001	8						Bush - Lower Link		
	XUFB 0840	2						Bolt) Lower Link to Gearbox		
	YUFW 080F	2						Nut) Mounting Bracket		
	A08 W 2006	2						Washer)		
	XUFB 0872	2						Bolt)		
	YUFW 080F	2						Nut) Lower Link to Rear Hub		
	A08 W 1606	4						Washer)		
	A08 W 1606	2						Washer)		
DA.6.	046 D 0015	2						Intermediate Drive Shaft		
DA.7.	046 D 0005	2						Outboard Drive Shaft		
DA.8.	046 R 6005	4						Yoke - Inboard Drive Shaft		
DA.9.	046 D 6005	4						Universal Joint		
12.70										

DA

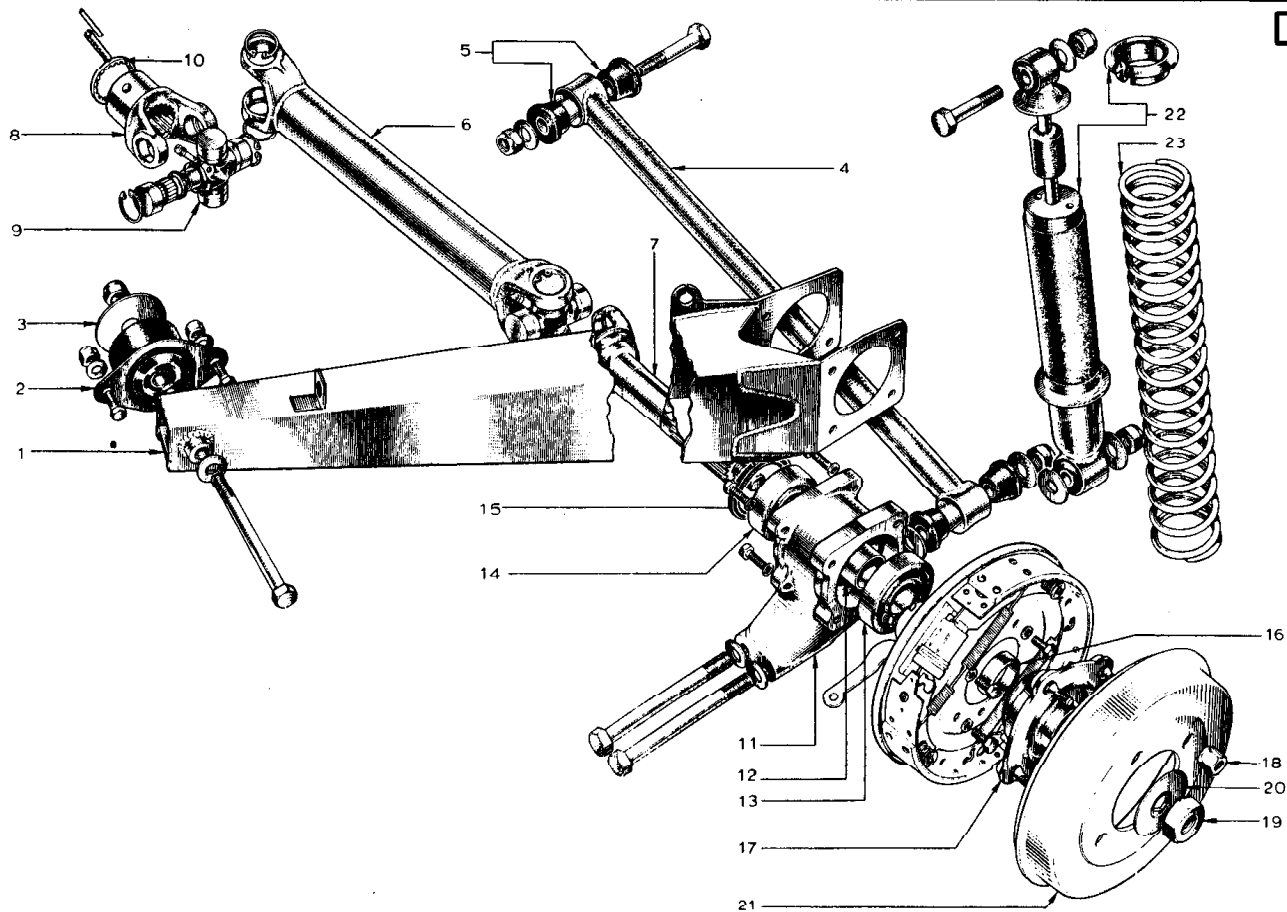


PLATE Ref: No.	PART No.	QUANTITY					STEERING		DESCRIPTION	CHANGE POINT	BULLETIN REFERENCE
		ALL	ST.	ST. Mk 1	S2.	S2. Fed.	RH	LH			
	046 R 0022	2							Spacer Ring		
	046 R 0023	2							Spacer Ring		
	046 R 0024	2							Spacer Ring		
	046 R 0025	2							Spacer Ring		
DA.10.	046 R 0026	2							Spacer Ring		
	046 R 6000	2							Tension Pin - Outer) Drive shaft to		
	046 R 6001	2							Tension Pin - Inner) Final Drive		
	A054 D 0187	AR							Shim, 0.005 ins.		
	A054 D 0188	AR							Shim, 0.015 ins.		
	046 D 0004	-							Replaced by A046 D 0004 together with 1 off A046 D 0005	Up to Chassis No. 0050	
	A046 D 0004	1							Rear Bearing Housing	From Chassis No. 0051	
	046 D 0005	-							Replaced by A046 D 0005 together with 1 off A046 D 0004	Up to Chassis No. 0050	
DA.11.	A046 D 0005	1							Rear Bearing Housing	From Chassis No. 0051	
	XUFS 0512	8							Screw) Bearing Housing to Radius Arm		
	LOS W 0000	8							Washer)		
DA.12.	046 D 0148	2							Spacer - Bearing to Bearing		
	036 D 6001	-							Replaced by 036 D 6017		
DA.13.	036 D 6017	2							Bearing - Outer	From Chassis No. 1643	
DA.14.	046 D 6003	2							Bearing - Inner		
DA.15.	054 D 0171	2							Seal Ring		Service III 1969/20
DA.16.	A054 D 0186	2							Spacer - Hub to Bearing		
DA.17.	046 D 0001	2							Rear Hub		
	036 D 6002	8							Wheel Stud		
DA.18.	036 D 6000	8							Wheel Nut		
DA.19.	046 D 6007	2							Hub Retaining Nut		
DA.20.	046 D 6006	2							Lock Washer		

DA

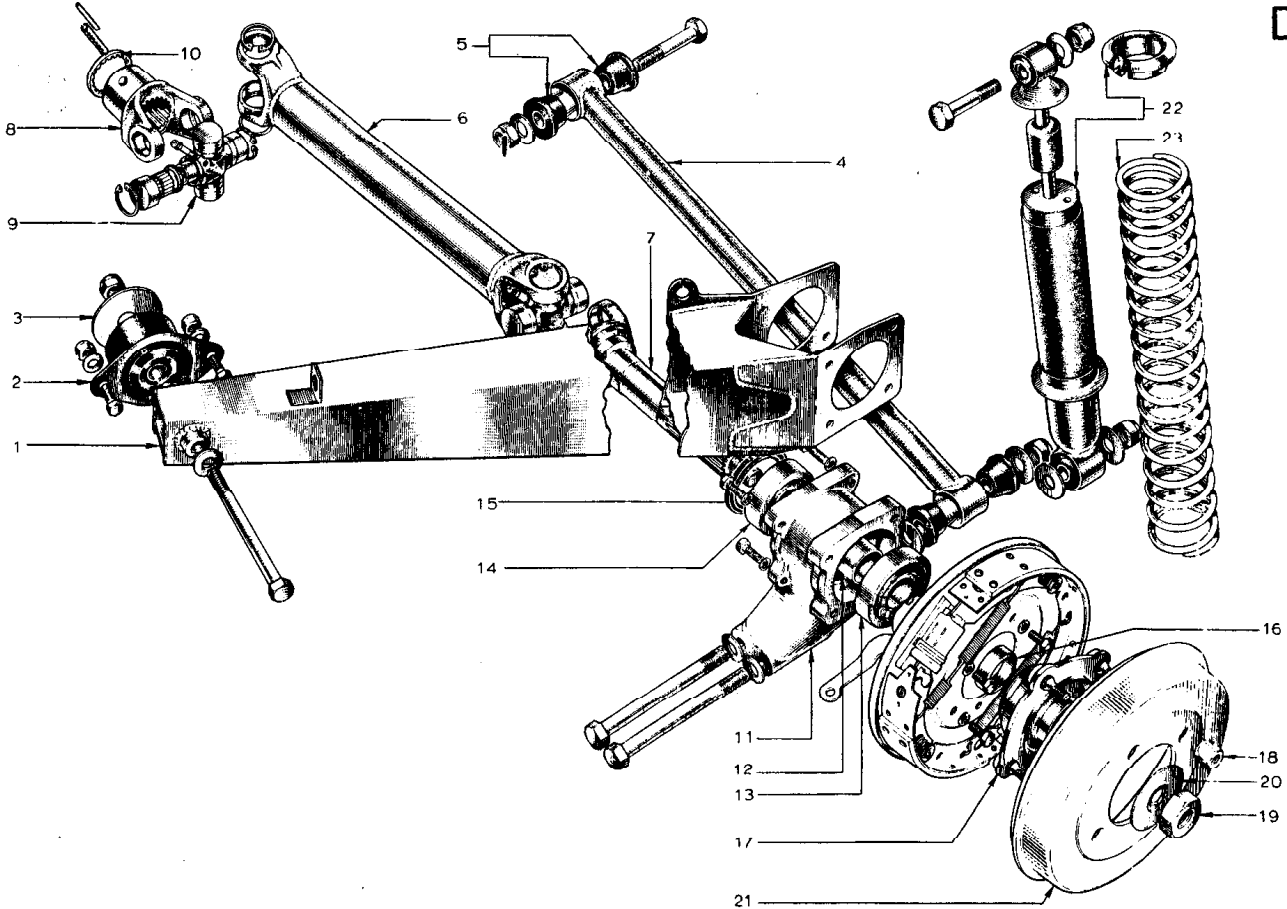


PLATE Ref: No.	PART No.	QUANTITY					STEERING		DESCRIPTION	CHANGE POINT	BULLETIN REFERENCE
		ALL	St.	St. Mk 1	S2.	S2. Fed.	RH	LH			
DA.21.	046 J 6023	2							Brake Drum, Rear)		
	046 J 6024	2							Brake Drum, Rear) Optional		
	046 D 0007	-							Replaced by A046 D 0007 in pairs	Up to Chassis No. 0254	1968/69
DA.22.	A046 D 0007	2	2	2					Rear Damper	From Chassis No. 0255 to From Chassis No. 1066 to 2583	
	046 D 0007					2			Rear Damper	From Chassis No. 2584	
	A065 D 0007					2			Rear Damper		
	046 D 6008	4							Bush - Damper		
DA.23.	026 C 0010	-							Replaced by 026 C 0010A in pairs	Up to Chassis No. 0254	
	026 C 0010A	2	2	2					Road Spring, Rear	From Chassis No. 0255 to	
	026 C 0010A					2			Road Spring, Rear	From Chassis No. 1066 to 2583	
	065 D 0010					2			Road Spring - Rear	From Chassis No. 2584	
	XUPB 0840	2							Bolt)	Up to Chassis No. 0388	
	XUPB 0844	2							Bolt) Damper to Cross Beam	From Chassis No. 0389	
	YUPW 080F	2							Nut)		
	A08 W 1606	4							Washer)		
	XUPB 0872	2							Bolt)		
	YUPW 080F	2							Nut) Damper to Bearing Housing		
	A08 W 1606	2							Washer)		
	A08 W 2006	4							Washer)		

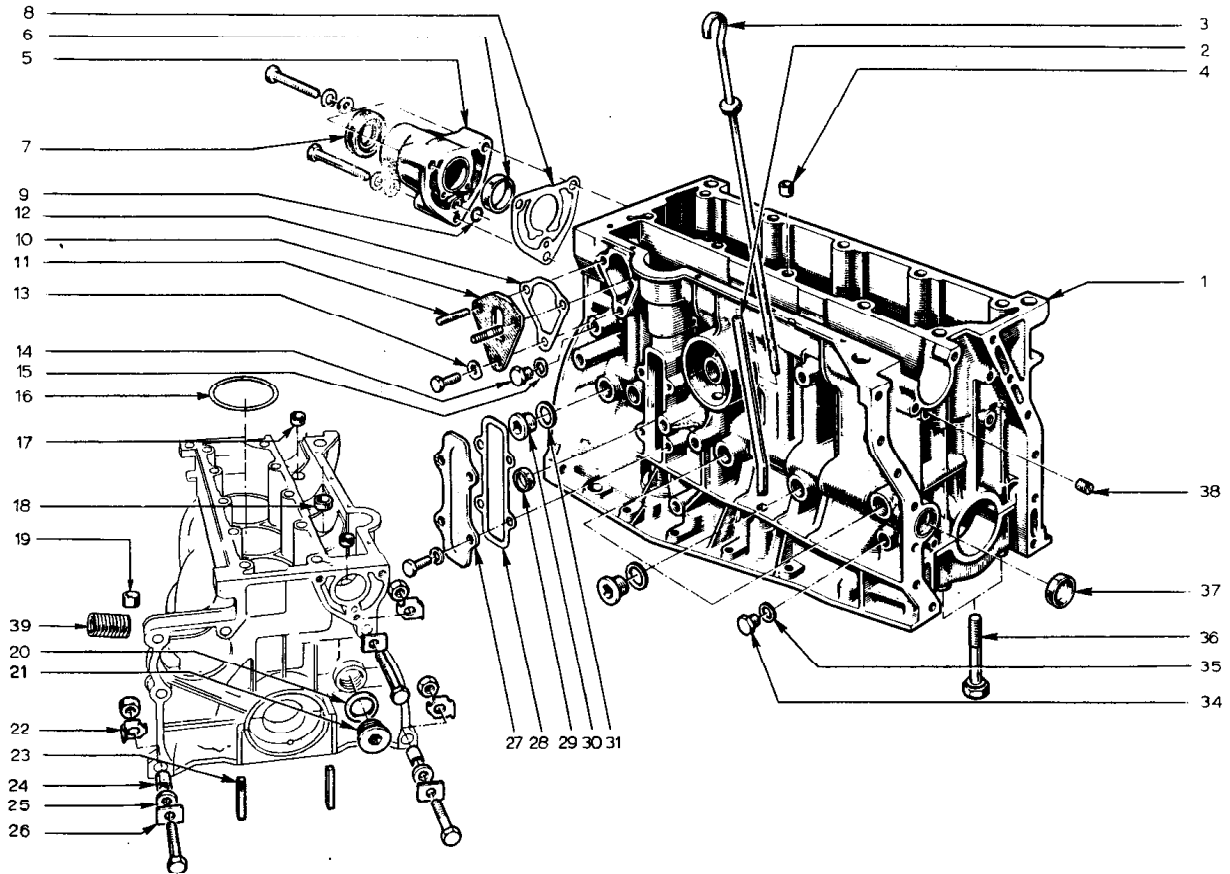


PLATE Ref: No.	PART No.	QUANTITY					STEERING		DESCRIPTION	CHANGE POINT	BULLETIN REFERENCE
		ALL	SI.	SI. Mk I	S2.	S2. Fed.	RH	LH			
	046 E 6030		1						Cylinder Block (697-04)	Up to Eng. No. 0033 From Eng. No. 0034 to 0565	
	046 E 6376		1	1				Cylinder Block (697-04)	Replaced by F046E6376		
	B046 E 6376			1	1				Cylinder Block (697-04)	Up to Eng. No. 0566 to 0866	
EA.1.	F046 E 6376	1							Cylinder Block (697-04) Cylinder Block (821-30)	From Eng. No. 0867 From Eng. No. 0001	
EA.2.	046 E 6028	1							Dipstick Tube		
EA.3.	046 E 6027	1							Dipstick		
EA.4.	046 E 6029	1							Dowel Pin, 2 x 15 x 11 mm.		
EA.5.	046 E 6009	1							Housing - Camshaft Bearing		
EA.6.	046 E 6008	1							Bearing - Camshaft Housing		
EA.7.	046 E 6011	1							Seal Ring - Camshaft Housing 32 x 45 x 10 mm.		
	046 E 6010	2							Bolt, 8 x 52)		
	A046 W 6001	3							Washer) Camshaft Bearing Housing		
	A046 W 6002	3							Washer) to Cylinder Block.		
	046 E 6012	1							Bolt, 8 x 72)		
EA.8.	046 E 6007	1							Gasket - Camshaft Housing to Cylinder Block		
EA.9.	046 E 6013	1							'O' Ring, 8.9 x 12.7 x 1.9 mm.		
EA.10.	046 E 6015	1							Joint		
EA.11.	046 E 6016	2							Stud) Fully interchangeable		
	A046 E 6494	2							Stud)		
EA.12.	A046 E 6491	1							Gasket		
EA.13.	046 E 6017	1							Washer) Fully interchangeable)		
	A046 E 6082	1							Washer) Fuel Pump		
	A046 W 6081	1							Bolt) Mounting		

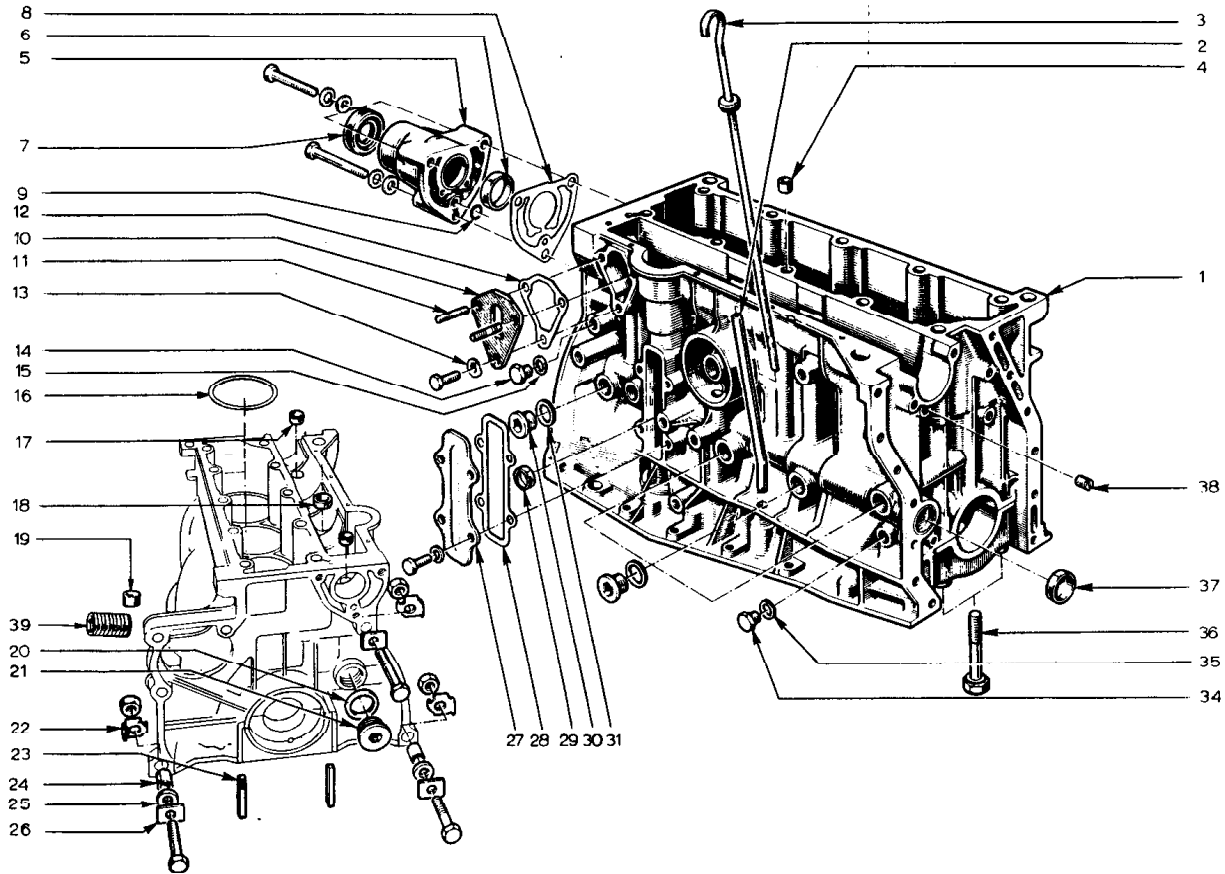


PLATE Ref: No.	PART No.	QUANTITY					STEERING		DESCRIPTION	CHANGE POINT	BULLETIN REFERENCE
		ALL	S1.	S1. Mk 1	S2.	S2. Fed.	RH	LH			
EA.14.	046 E 6018	1							Plug		
EA.15.	046 E 6019	1							Seal		
EA.16.	A046 E 6504		4						Shim - 0.07 (697-04))	Optional	Up to Eng. No. 0565
	046 E 6201		4						Shim - 0.10 (697-04))		Up to Eng. No. 0565
	A054 E 6095			4	4	4			Shim - 0.08 (697-04))		From Eng. No. 0566
									(821-30))		to 1760
									(821-30))		From Eng. No. 0001
									(821-30))		to 0377
	A054 E 6096			4	4	4			Shim - 0.10 (697-04))	Optional	From Eng. No. 0566
									(821-30))		to 1760
									(821-30))		From Eng. No. 0001
									(821-30))		to 0377
	A054 E 6097			4	4	4			Shim - 0.12 (697-04))		From Eng. No. 0566
									(821-30))		to 1760
									(821-30))		From Eng. No. 001
									(821-30))		to 0377
	A054 E 6095				4	4			Shim - 0.08 (697-04))		From Eng. No. 1761
									(821-30))		From Eng. No. 0378
	A054 E 6096				4	4			Shim - 0.10 (697-04))	Optional	From Eng. No. 1761
									(821-30))		From Eng. No. 0378
	A054 E 6097				4	4			Shim - 0.12 (697-04))		From Eng. No. 1761
									(821-30))		From Eng. No. 0378
EA.17.	046 E 6020	2							Plug		
EA.18.	046 E 6021	1							Plug		
EA.19.	054 E 6098	1							Plug (697-04)		From Eng. No. 0566
									(821-30)		From Eng. No. 0001
EA.20.	046 E 6022	1							Seal		
EA.21.	046 E 6023	1							Screw Plug		
EA.22.	046 E 6024	3							Lock Plate		

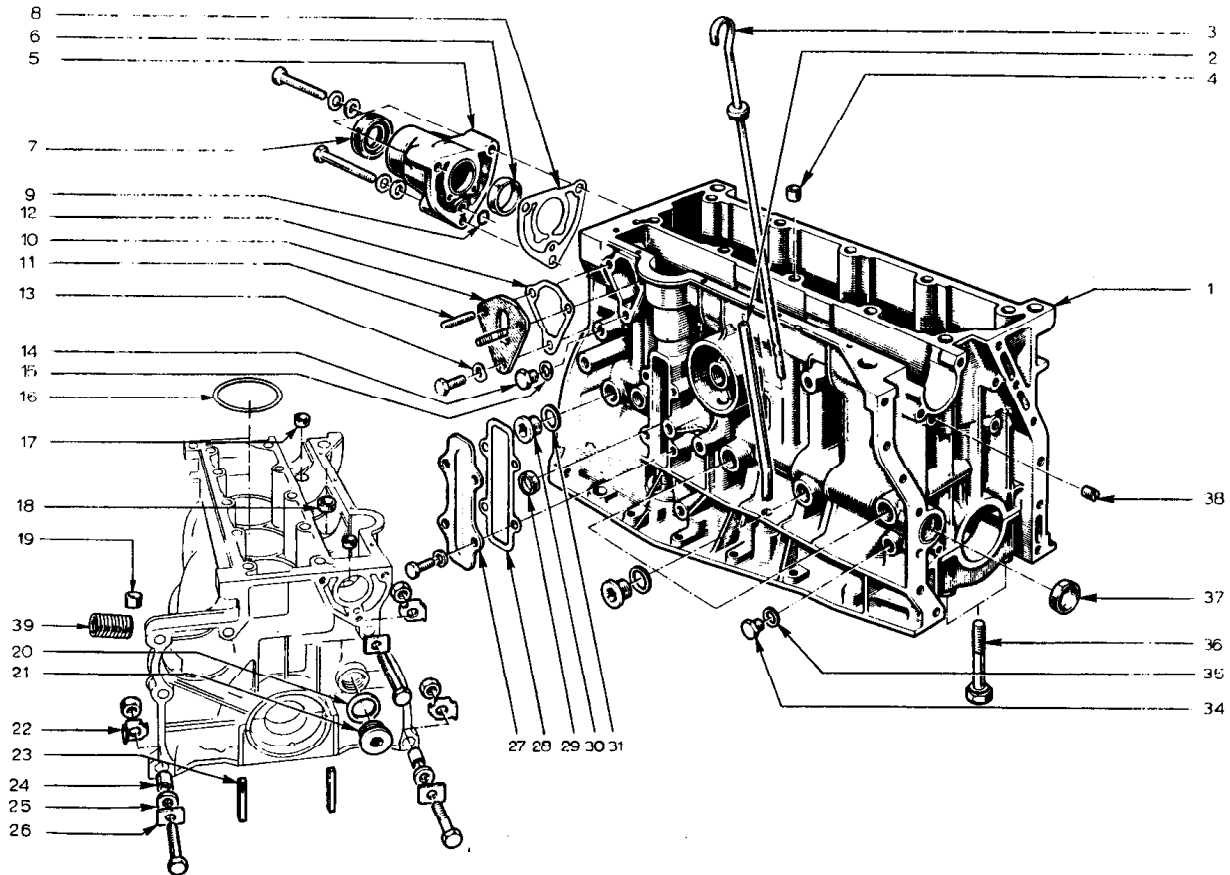
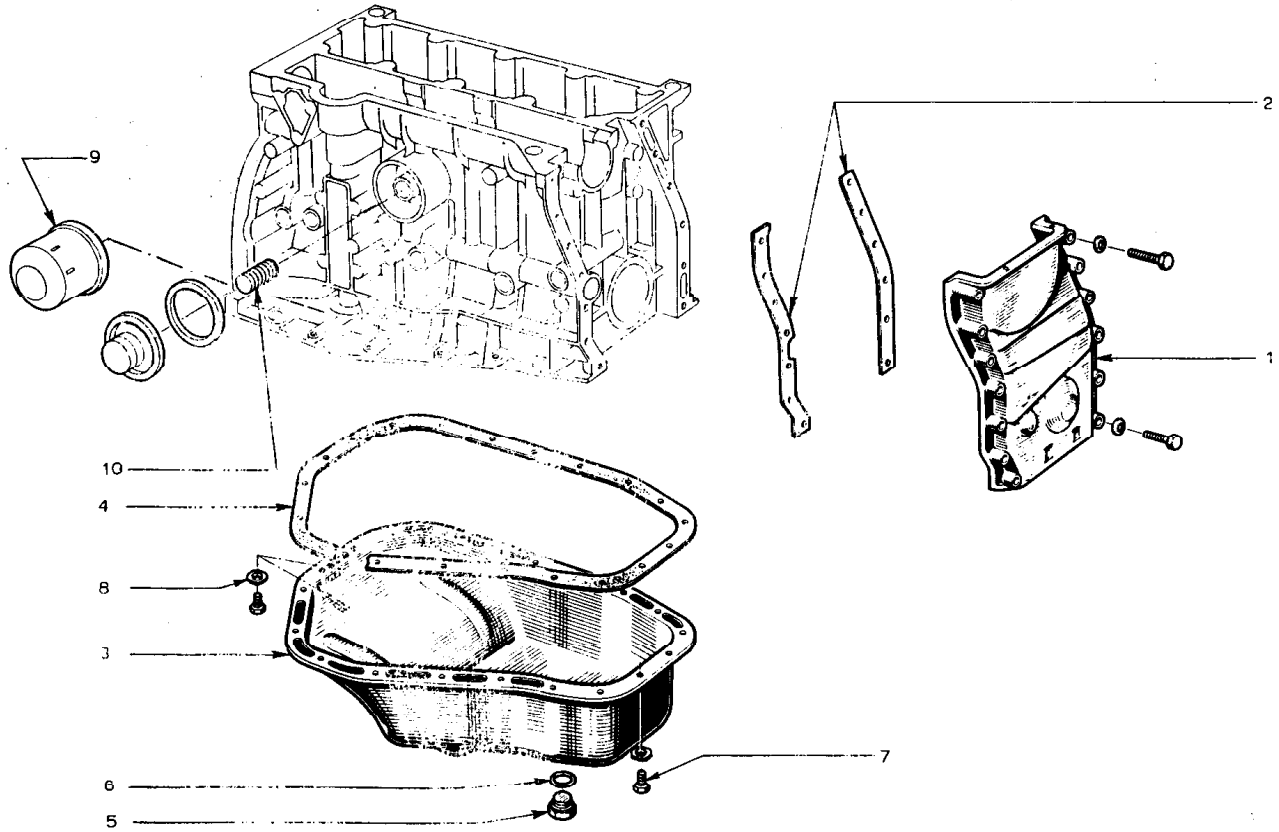


PLATE Ref: No.	PART No.	QUANTITY					STEERING		DESCRIPTION	CHANGE POINT	BULLETIN REFERENCE
		ALL	SI.	SI. Mk 1	S2.	S2. Fed.	RH	LH			
EA.23.	046 E 6202	2							Joint, 5.1 mm.)		
	046 E 6203	2							Joint, 5.4 mm.)	Optional	
EA.24.	046 E 6025	2							Bush		
EA.25.	046 E 6026	2							Washer		
EA.26.	A046 W 6009	3							Washer		
	A046 W 6008	2							Bolt, 10 x 50 mm.		
	A046 W 6007	3							Nut		
EA.27.	046 E 6042		1	1					Cover Plate (697-04)		
	046 E 6043	1							Cover Plate		
EA.28.	046 E 6041	1							Gasket		
	A046 W 6004	4							Bolt, 8 x 20)	Coverplate to Cylinder Block	
	A046 W 6018	4							Washer)		
EA.29.	046 E 6040	1							Plug		
EA.30.	046 / 6038	4							Screw Plug		
EA.31.	046 E 6037	4							Seal Ring		
EA.34.	046 E 6018	1							Screw Plug		
EA.35.	046 E 6034	1							Seal Ring		
EA.36.	046 / 6033								Bolt - Main Bearing Cap 10 x 67		
EA.37.	046 E 6032								Plug		
EA.38.	046 E 6031								Blanking Plug (697-04)		Up to Eng. No. 0052
EA.39.	A054 E 6099					1			Threaded Tube (821-30)		
	A046 W 6005		1	1	1				Bolt		
	A046 W 6006					1			Bolt		
	A046 W 6010	1							Washer		
	046 E 6000		1	1	1				Overhaul Gasket Set (697-04)		
	054 E 6004					1			Overhaul Gasket Set (821-30)		Up to Eng. No. 0897
	A054 E 6004					1			Overhaul Gasket Set (821-30)		From Eng. No. 0898



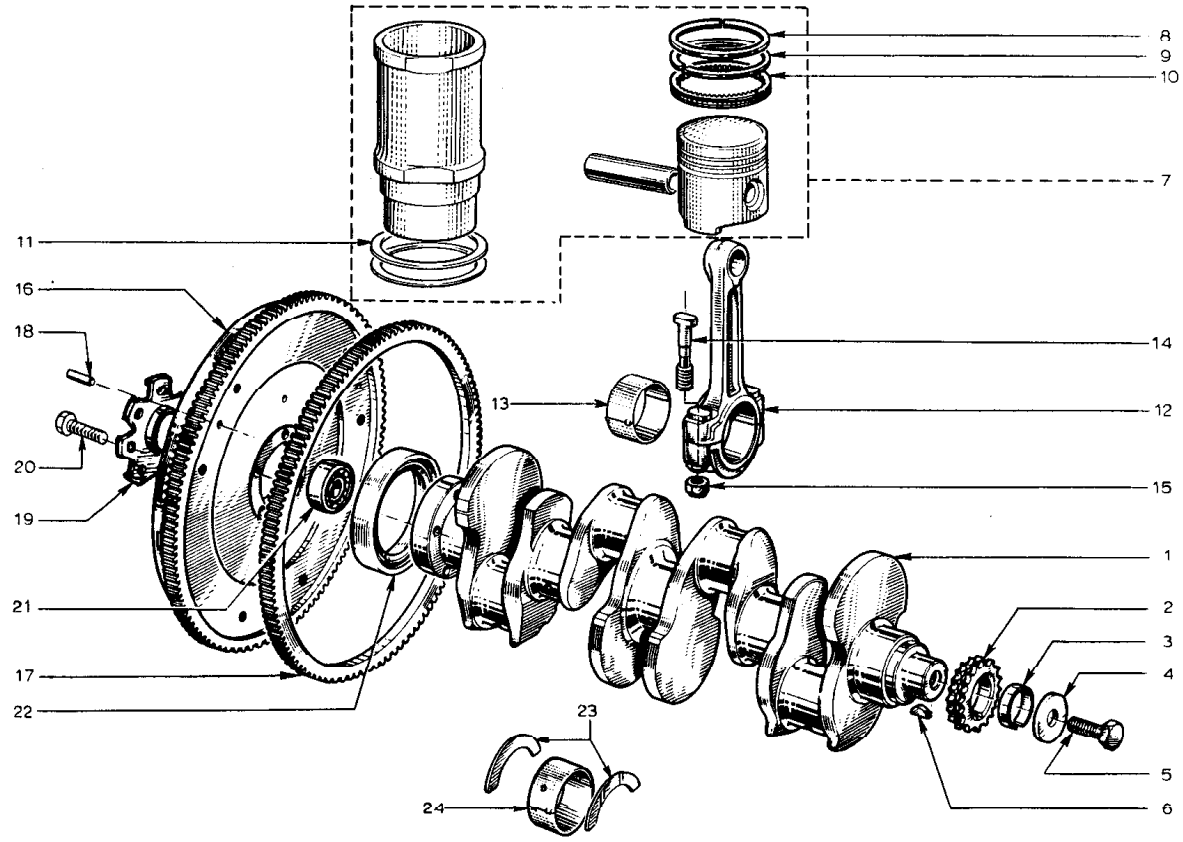


PLATE Ref: No.	PART No.	QUANTITY					STEERING		DESCRIPTION	CHANGE POINT	BULLETIN REFERENCE
		ALL	ST.	ST. Mk 1	S2.	S2. Fed.	RH	LH			
EC.1.	046 E 6388	1							Crankshaft (697-04)	Up to Engine No. 0066 From Engine No. 0067	
	046 E 6389	1						Crankshaft (697-04)			
	A054 E 6015				1			Crankshaft (821-30)			
EC.2.	046 E 6072	1						Sprocket)	Up to Engine No. 2556 (697-04) 1254 (821-30)		
EC.3.	046 E 6073	1						Spacer - Sprocket wheel)			
EC.4.	046 E 6074	1						Washer)			
EC.5.	A046 E 6012	1						Bolt) Sprocket wheel to Crankshaft			
								Sprocket)			
EC.6.	046 E 6075	1						Woodruff Key - Sprocket wheel to Crankshaft)	From Engine No. 2556 (697-04) 1255 (821-30)		
EC.7.	A054 E 6102	1	1					Piston/Liner Assembly (697-04) Engine set only	Up to Engine. No. 0565		
	A054 E 6103				1			Piston/Liner Assembly (697-04) Engine set only	From Engine No. 0566		
	A054 E 6104					1		Piston/Liner Assembly (821-30) Engine set only	Up to Engine No. 0866		
	A054 E 6105					1		Piston/Liner Assembly (821-30) Engine set only	From Engine No. 0867		
ED.8.	046 E 6065	4						Piston Ring - Top (697-04)	Up to Engine No. 0198		
	A054 E 6063		4	4	4			Piston Ring - Top (697-04)	From Engine No. 0199 to 1375		
	054 E 6016					4		Piston Ring - Top (821-30)			
EC.9.	046 E 6066	4	4	4				Piston Ring - Centre (697-04)			
	054 E 6017					4		Piston Ring - Centre (821-30)			
EC.10.	046 E 6067	4	4	4				Piston Ring - Bottom (697-04)			
	054 E 6018					4		Piston Ring - Bottom (821-30)			
EC.11.	046 E 6200	4						Shim - 0.07 mm.			
	046 E 6201	4						Shim - 0.10 mm.			

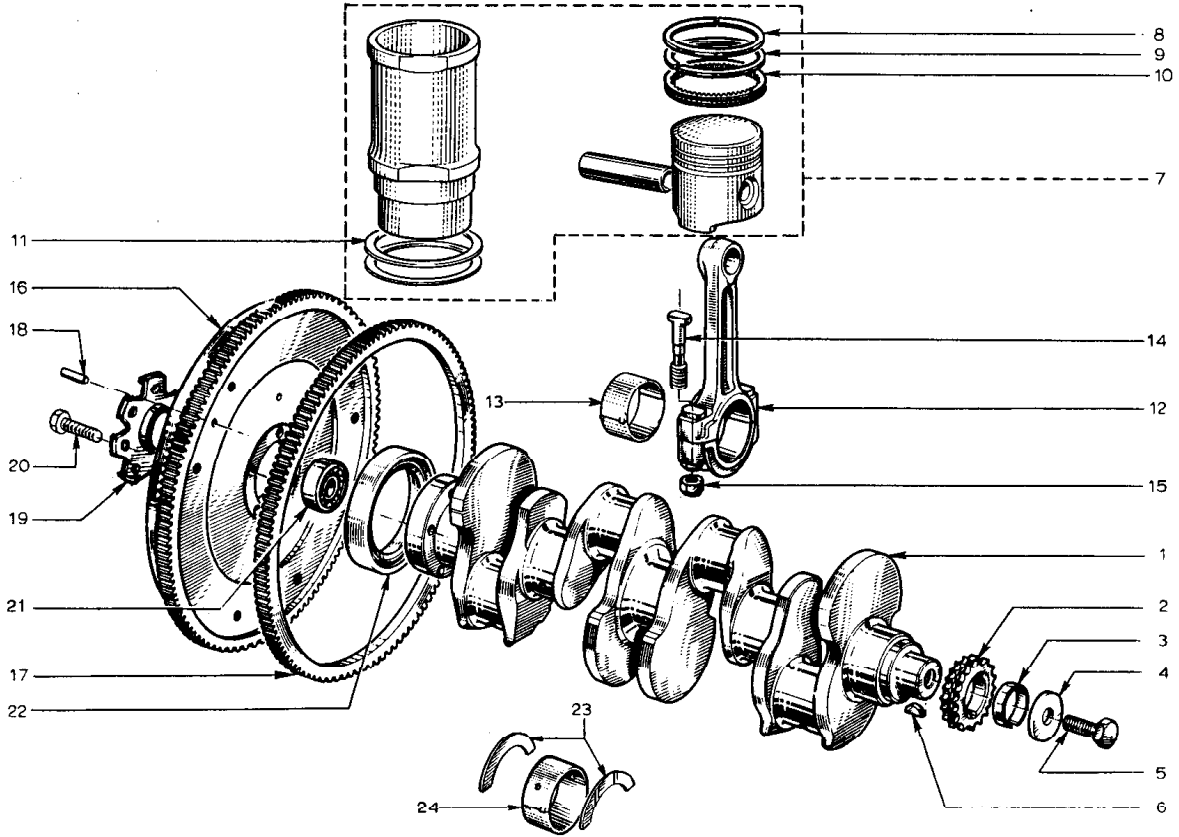


PLATE Ref: No.	PART No.	QUANTITY					STEERING		DESCRIPTION	CHANGE POINT	BULLETIN REFERENCE
		ALL	S1.	S1. Mk 1	S2.	S2. Fed.	RH	LH			
EC.12.	046 E 6387		4	4	4				Connecting Rod (697-04) 433 grams Blue	Up to Engine No. 1641	
	A054 E 6064				4				Connecting Rod (697-04) 433 grams	From Engine No. 1642	
	A054 E 6064					4			Connecting Rod (821-30) Blue	From Engine No. 0001	
	A054 E 6065				4				Connecting Rod (697-04) 455 grams	From Engine No. 1642	
	A054 E 6065					4			Connecting Rod (821-30) White	From Engine No. 0001	
EC.13.	046 E 6002	1							Bearing Shell - Connecting Rod (48 mm.) Standard		
	046 E 6002A	1							Bearing Small - Connecting Rod (47.75 mm.) Repair size		
EC.14.	046 E 6068	2							Bolt - Connecting Rod		
EC.15.	046 E 6070	8							Nut - Connecting Rod		
EC.16.	046 E 6383	1							Flywheel	Up to Engine No. 0066	
	046 E 6384	1							Flywheel	From Engine No. 0067 to 0501	
	046 E 6385	1							Flywheel	From Engine No. 0502	
EC.17.	046 E 6063	1							Ring Gear - flywheel		
EC.18.	046 E 6059	3							Dowel Pin		
EC.19.	A046 E 6061	1							Lock Plate	Up to Engine No. 0066	
	046 E 6061	1							Lock Plate	From Engine No. 0067	
EC.20.	046 E 6060	5							Bolt - flywheel to crankshaft	Up to Engine No. 0066	
	046 E 6060	7							Bolt - flywheel to crankshaft	From Engine No. 0067	
EC.21.	046 E 6386	1							Bearing - Clutch spigot shaft		
EC.22.	046 E 6064	1							Seal - crankshaft (697-04) only, use up old stock		
	A046 E 6471	1							Seal - crankshaft		

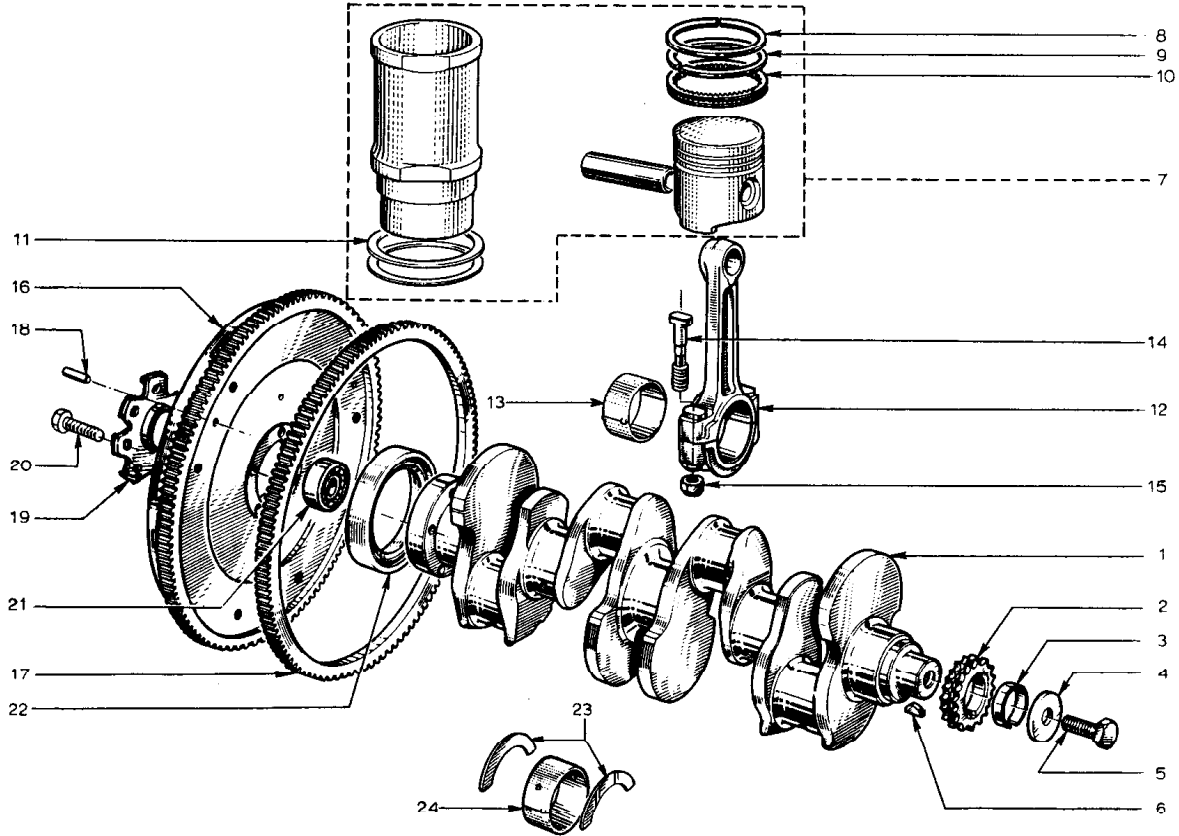


PLATE Ref: No.	PART No.	QUANTITY					STEERING		DESCRIPTION	CHANGE POINT	BULLETIN REFERENCE
		ALL	S1.	S1. Mk 1	S2.	S2. Fed.	RH	LH			
EC. 23	046 E 6004	1							Thrust Washer - 2.80 m.m.)		
	046 E 6005	1							Thrust Washer - 2.90 m.m.) Optional		
	046 E 6006	1							Thrust Washer - 2.95 m.m.)		
EC. 24	046 E 6003	1							Main Bearing Set - 54.80 m.m. (Standard)		
	046 E 6382	1							Main Bearing Set - 54.55 m.m. (Repair)		

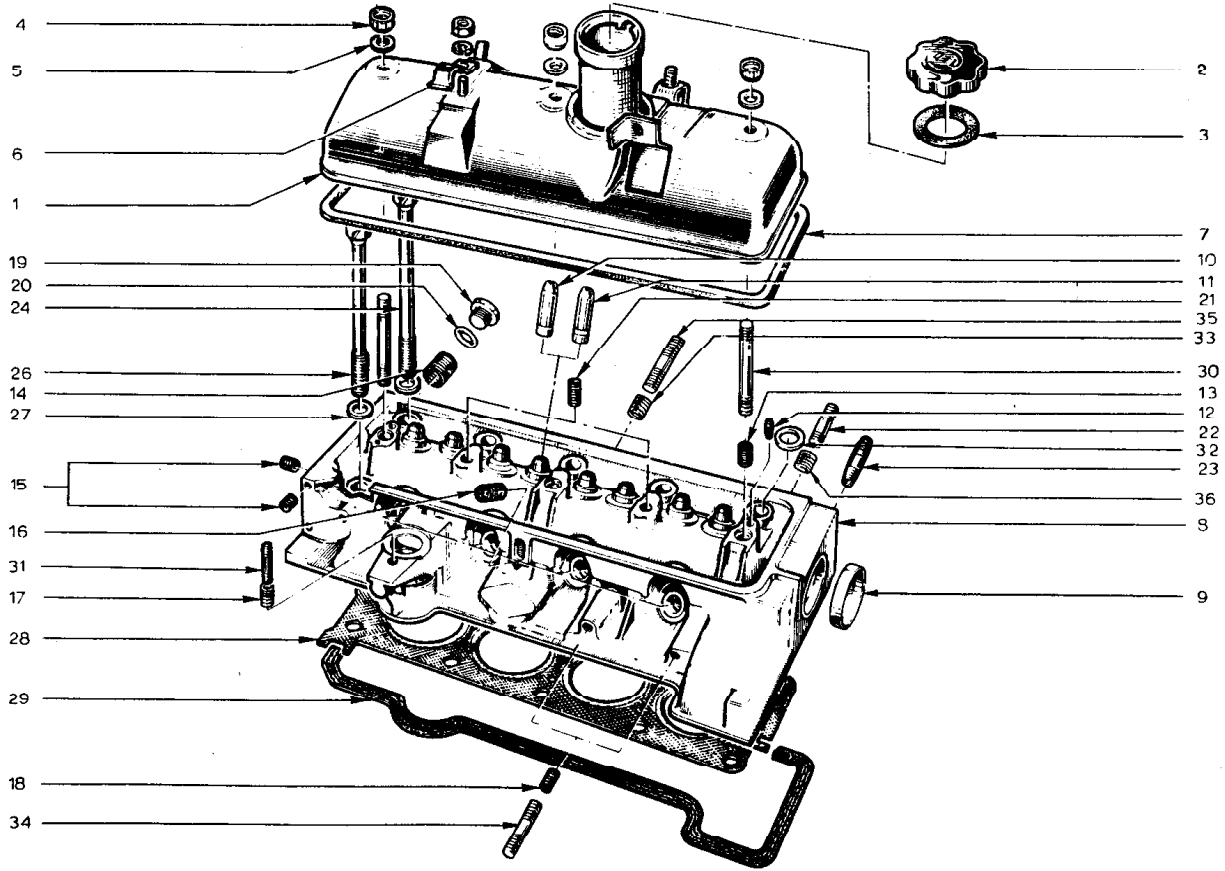


PLATE Ref: No.	PART No.	QUANTITY					STEERING		DESCRIPTION	CHANGE POINT	BULLETIN REFERENCE
		ALL	S1.	S1. Mk 1	S2.	S2. Fed.	RH	LH			
	046 E 6079	1							Rocker Cover)		
ED.1.	046 E 6390	1							Rocker Cover) Fully interchangeable		
ED.2.	046 E 6090	1							Oil Filler Cap		
	046 E 6091	1							Seal Ring - Oil Filler Cap)		
ED.3.	046 E 6393	1							Seal Ring - Oil Filler Cap) Fully interchangeable		
ED.4.	046 E 6076	3							Nut - Rocker Cover		
ED.5.	046 E 6077		3	3	3	6			Washer - Rocker Cover		
ED.6.	046 E 6078	1							Mounting Bracket		
ED.7.	046 E 6092	1							Gasket - Rocker Cover		
ED.8.	046 E 6101		1	1					Cylinder Head (697-04) replaced by A046 E 6101 Cylinder Head together with 2 off 054 E 6010 Nut	From Engine No. 0001 Up to Engine No.	
	A46 E 6101				1				Cylinder Head (697-04)	From Engine No. Up to Engine No.	
	A054 E 6019					1			Cylinder Head (821-30)	From Engine No. 0001 Up to Engine No. 0897	
	A054 E 6056					1			Cylinder Head (821-30)	From Engine No. 0898	
ED.9.	046 E 6102	1							Plug		
ED.10.	046 E 6093	8							Valve Guide - 13.40 mm.)	Optional	
ED.11.	046 E 6094	8							Valve Guide - 13.25 mm.)		
ED.12.	046 E 6098	2							Dowel Pin		
ED.13.	046 E 6097	4							Heli Coil Insert		
ED.14.	046 E 6083	1							Heli Coil Insert		
ED.15.	046 E 6085	40							Heli Coil Insert		
ED.16.	046 E 6086	4							Heli Coil Insert)	Optional	
	046 E 6392	4							Heli Coil Insert)		
ED.17.	046 E 6087	1							Heli Coil Insert		
ED.18. 12.70	046 E 6087	2							Heli Coil Insert		

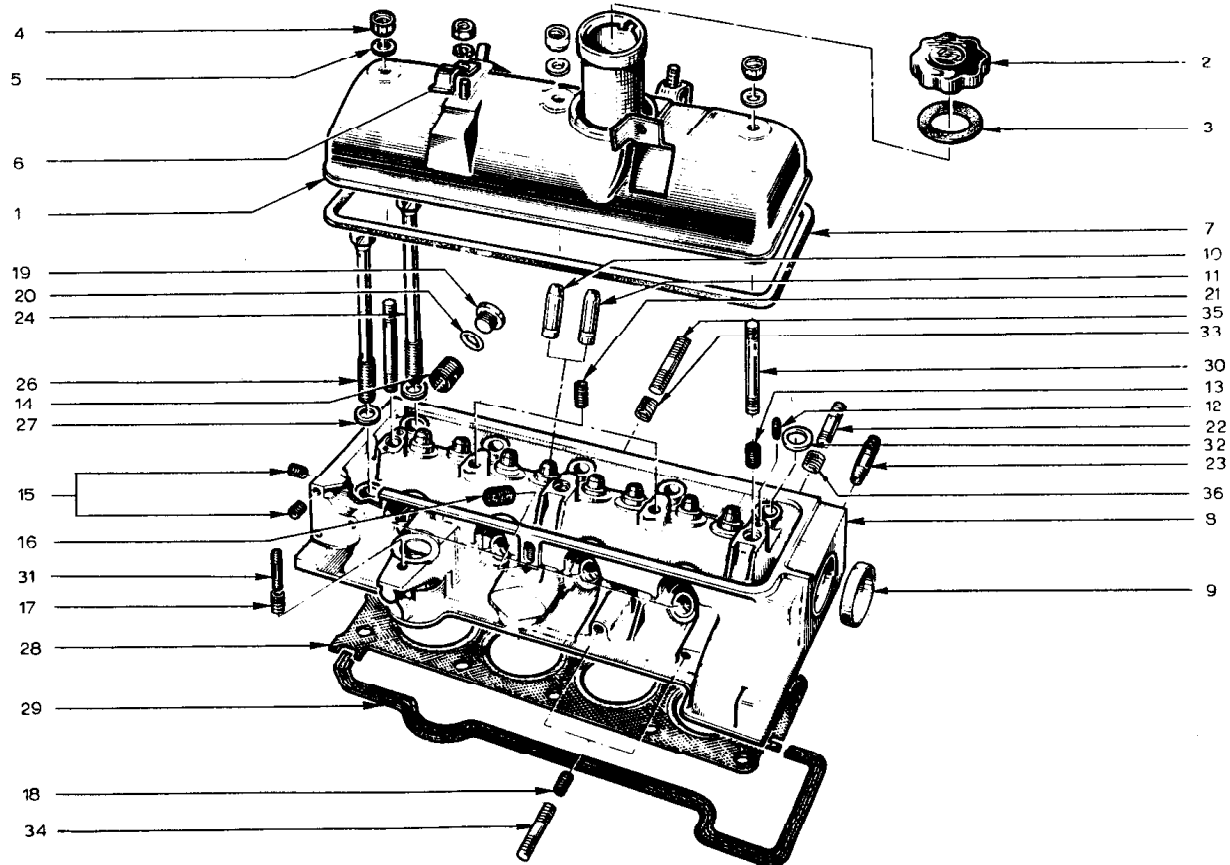


PLATE Ref. No.	PART No.	QUANTITY					STEERING		DESCRIPTION	CHANGE POINT	BULLETIN REFERENCE
		ALL	SI.	SI. Mk I	S2.	S2. Fed.	RH	LH			
ED.19	046 E 6080		1	1	1				Plug (697-04 only)		
	A046 E 6080	1							Plug		
ED.20	046 E 6050	2							Seal Ring		
ED.21	046 E 6095	2							Heli-coil Insert		
ED.22	046 E 6099		4	4	4	6			Stud		
	046 E 6145		2	2	2				Bolt (697-04)		Upto
ED.23	046 E 6100		1	1	1				Connector (697-04)		Upto Engine No. 1790
	046 E 6100					1			Connector (821-30)		Upto Engine No. 0411
	A046 E 6100		1	1	1				Connector (697-04)		From Engine No. 1791
	A046 E 6100					1			Connector (821-30)		From Engine No. 0412
ED.24	046 E 6391	5							Cylinder Head Bolt (697-04)		Upto Engine No. 0866
	046 E 6391	4							Cylinder Head Bolt (697-04)		From Engine No. 0867
	046 E 6391					4			Cylinder Head Bolt (821-30)		
ED.26	046 E 6081	5							Cylinder Head Bolt (697-04)		Upto Engine No. 0866
	046 E 6081	6							Cylinder Head Bolt (697-04)		From Engine No. 0867
	046 E 6081					6			Cylinder Head Bolt (821-30)		
ED.27	046 E 6084	10							Washer - Cylinder Head Bolt (697-04)		Upto Engine No. 0565
	046 E 6084	8							Washer - Cylinder Head Bolt (697-04)		From Engine No. 0566
	046 E 6084	9							Washer - Cylinder Head Bolt (697-04)		to 0866
	046 E 6084					9			Washer - Cylinder Head Bolt (821-30)		From Engine No. 0867
ED.28	046 E 6088		1	1	1				Cylinder Head Gasket (697-04)		
ED.28/29	054 E 6006					1			Cylinder Head Gasket (821-30)		Upto Engine No.
	A054 E 6057					1			Cylinder Head Gasket (821-30)		From Engine No.
ED.29	A046 E 6089	1							Joint Cylinder Head (697-04)		Upto Engine No. 0052
	046 E 6089	1							Joint Cylinder Head (697-04)		From Engine No. 0053
ED.30	046 E 6082	3							Stud - Cam Support Pillar		
ED.31	A046 W 6018	1							Stud - Distributor to Cylinder Head		

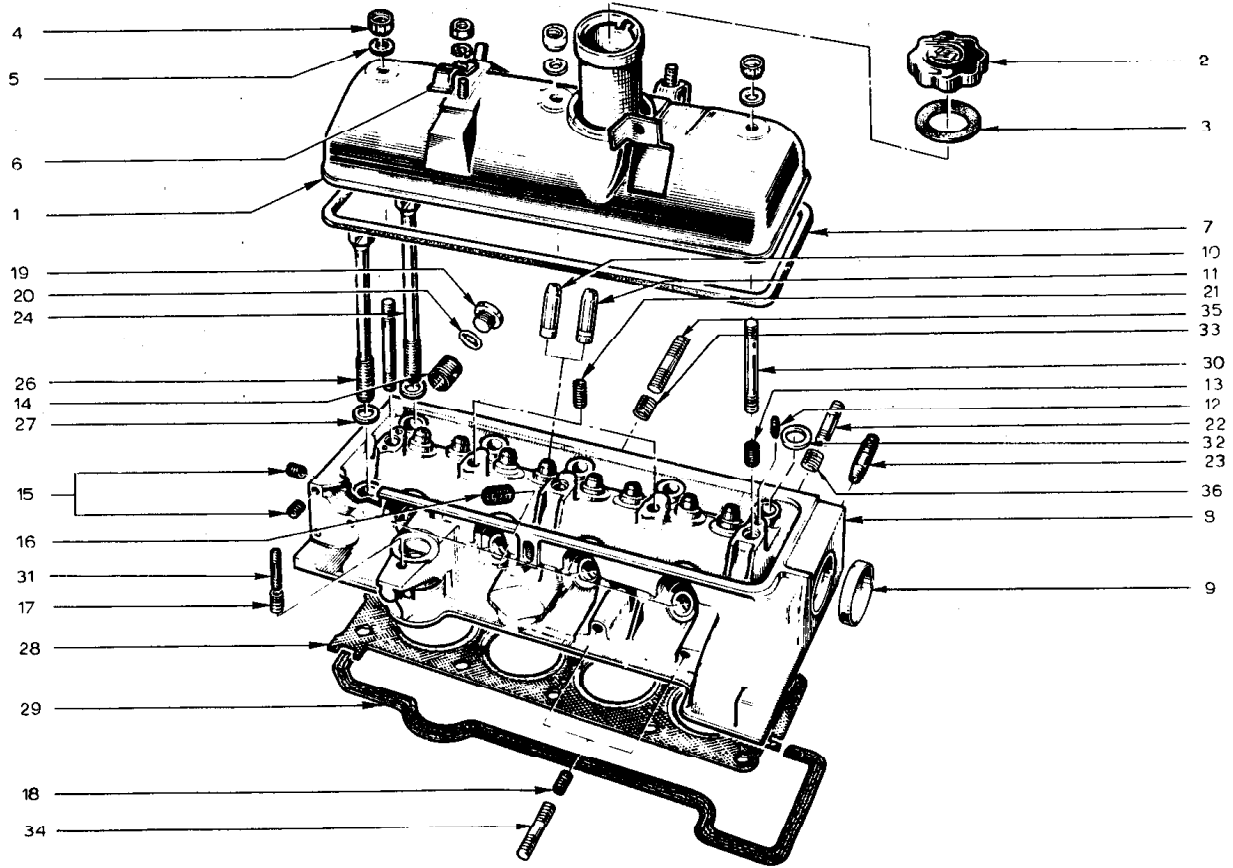


PLATE Ref. No.	PART No.	QUANTITY					STEERING		DESCRIPTION	CHANGE POINT	BULLETIN REFERENCE
		ALL	ST.	ST. Mk 1	S2.	S2. Fed.	RH	LH			
ED. 32.	046 E 6395			2	2				Washer (697 - 04)	From Engine No. 0566 to 0866	
	046 E 6395				1				Washer (697-04)		
	046 E 6395					1			Washer (821-30)	From Engine No. 0867	
ED. 33.	A046 E 6495	2	2	2					Helicoil (697-04)	From Engine No. 0566 to From Engine No. 0001 to	
									(821-30)	From Engine No. 0001 to	
ED. 34.	A046 E 6496	1							Stud		
ED. 35.	A046 E 6497	2							Stud (697-04)	From Engine No. to From Engine No. 0001 to	
									(821-30)	From Engine No. 0001 to	
ED. 36.	046 E 6097	2							Helicoil (697-04)	From Engine No. 0556 to From Engine No. 0001 to	
									(821-30)	From Engine No. 0001 to	
	046 E 6380	1	1	1.					De-carb. gasket set		
	054 E 6004				1				De-carb. gasket set	To Engine No.	
	A054 E 6004				1				De-carb. gasket set	From Engine No.	

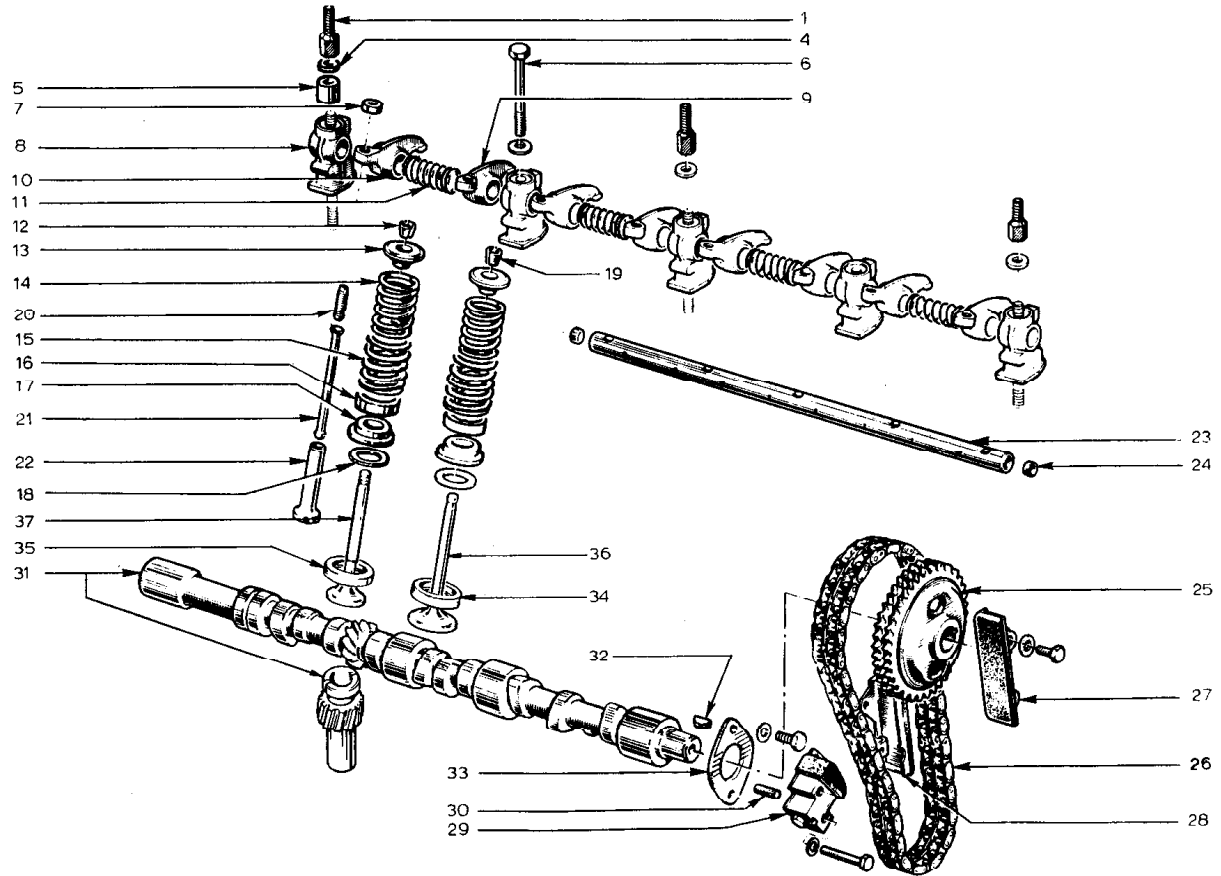


PLATE Ref: No.	PART No.	QUANTITY					STEERING		DESCRIPTION	CHANGE POINT	BULLETIN REFERENCE
		ALL	SI.	SI. Mk 1	S2.	S2. Fed.	RH	LH			
EE.1.	046 E 6124	3							Stud - Rocker cover retaining		
EE.4.	046 E 6125	5							Washer - Rocker support pillar		
EE.5.	046 E 6103	2							Bush		
EE.6.	046 E 6126	2							Bolt - Rocker support pillar		
EE.7.	046 E 6104	8							Lock nut - tappet		
EE.8.	046 E 6105	5							Pillar - rocker support		
EE.9.	046 E 6127	4							Rocker arm - inlet		
EE.10.	046 E 6106	4							Rocker arm - exhaust		
EE.11.	046 E 6107	4							Spring - rocker shaft		
EE.12.	046 E 6108	8							Collette - exhaust valve		
EE.13.	046 E 6109	8							Retainer - valve spring		
EE.14.	046 E 6110	8							Valve spring, inner		
EE.15.	046 E 6112	8							Valve spring, outer		
EE.16.	046 E 6113	8							Spacer - valve spring		
EE.17.	046 E 6114	8							Seat - valve spring		
EE.18.	046 E 6118	8							Washer - valve spring seat		
EE.19.	046 E 6129	8							Collette - inlet valve		
EE.20.	046 E 6111	8							Tappet adjusting screw		
EE.21.	046 E 6115	8							Push Rod		
EE.22.	046 E 6116	8							Tappet block 12.00 mm.	Up to Engine No. 1128	
	A046 E 6116	8							Tappet block 12.00 mm. (697-04)	From Engine No. 1129	
	A046 E 6116	8							Tappet block 12.00 mm. (821-30)	From Engine No. 0001	
	046 E 6117	8							Tappet block 12.20 mm.	Up to Engine No. 1128	
	046 E 6164	8							Tappet block 12.20 mm. (697-04)	From Engine No. 1129	
	046 E 6164	8							Tappet block 12.20 mm. (821-30)	From Engine No. 0001	
EE.23.	046 E 6130	1							Rocker shaft		
EE.24.	046 E 6131	2							Plug - rocker shaft		
EE.25.	046 E 6134	1							Sprocket - camshaft		
EE.26.	046 E 6137	1							Timing chain		

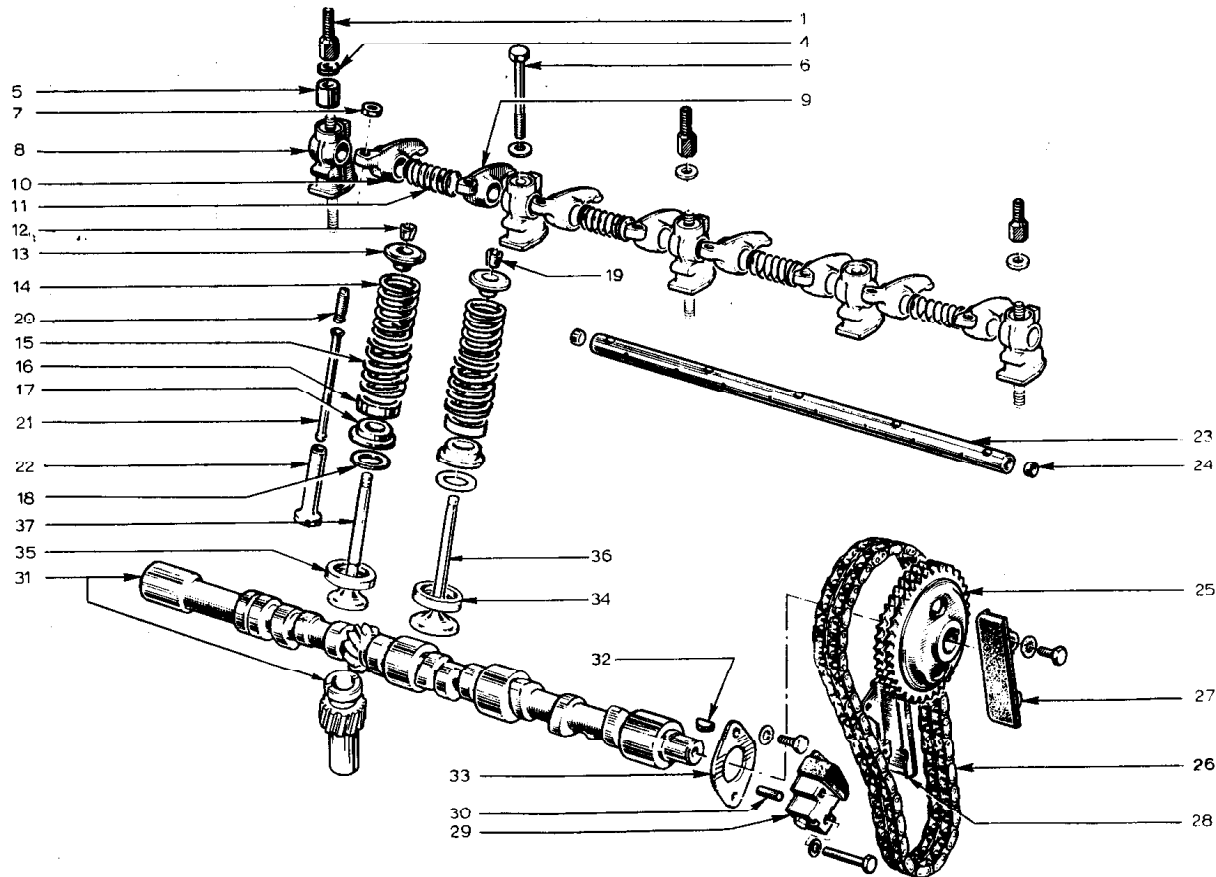


PLATE Ref. No.	PART No.	QUANTITY					STEERING		DESCRIPTION	CHANGE POINT	BULLETIN REFERENCE
		ALL	SI.	SI. Mk I	S2.	S2. Fed.	RH	LH			
EE.27.	046 E 6136	2							Chain Guide	Up to Engine No. 0033	
	046 E 6135	4							Bolt)	Up to Engine No. 0033	
	A046 W 6014	4							Washer) Chain guide to cylinder block	Up to Engine No. 0033	
EE.28.	046 E 6396	2							Chain guide	Up to Engine No. 0033	
	046 E 6135	4							Bolt)	From Engine No. 0034	
	A046 W 6011	4							Washer) Chain guide to cylinder block	From Engine No. 0034	
EE.29.	046 E 6123	1							Timing chain tightener	From Engine No. 0034	
EE.30.	046 E 6122	1							Gauge		
	A046 W 6015	2							Bolt)		
	A046 W 6016	2							Washer) Tightener to cylinder block		
EE.31.	046 E 6371	1							Camshaft)		
	054 E 6003	1							Camshaft) Fully interchangeable		
EE.32.	046 E 6133	1							Woodruff key		
EE.33.	046 E 6121	1							Thrust Washer		
	A046 W 6017	2							Bolt)		
	A046 W 6014	2							Washer) Camshaft retaining		
EE.34.	046 E 6369	4							Valve Seat - inlet		
EE.35.	046 E 6370	4							Valve Seat - exhaust		
EE.36.	046 E 6132	4	4	4	4				Valve - inlet (697-04)		
	A054 E 6021					4			Valve - inlet (821-30)		
EE.37.	046 E 6119	4	4	4	4				Valve - exhaust (697-04)		
	A054 E 6020					4			Valve - exhaust (821-30)		

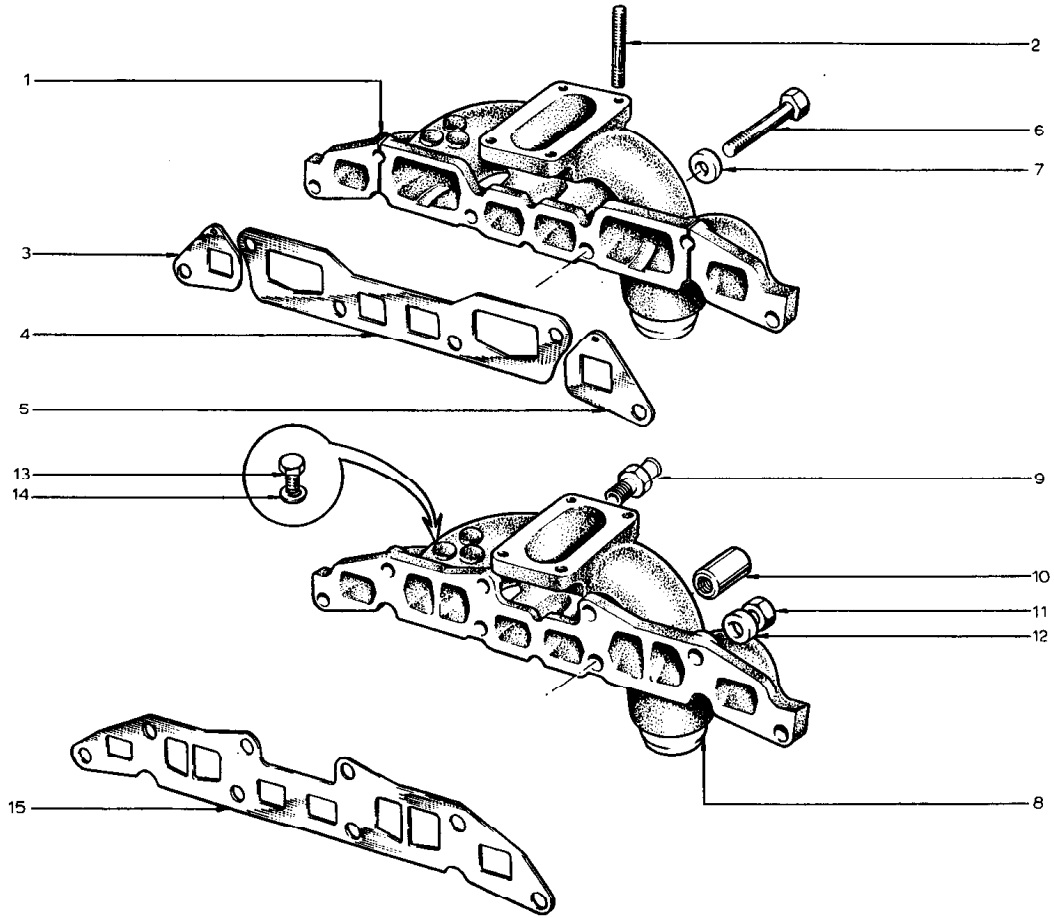


PLATE Ref. No.	PART No.	QUANTITY					STEERING		DESCRIPTION	CHANGE POINT	BULLETIN REFERENCE
		ALL	ST.	ST. Mk 1	S2.	S2. Fed.	RH	LH			
EF.1.	046 E 6139		1	1					Manifold (697-04) Manifold (697-04) replaced by 054 E 6014 together with: 2 off A046 E 6497 Stud 2 off 054 E 6010 Nut after exhausting old stock.	Up to Engine No. 0501 From Engine No. 0502 to	
	046 E 6399			1	1						
	054 E 6014				1				Manifold (697-04)	From Engine No.	
EF.2.	046 E 6312		4	4	4				Stud - Carburetter to Manifold (697-04)		
	A046 W 6022					4			Stud - Carburetter to Manifold, 8 x 60 (821-30)		
EF.3.	046 E 6140		1	1	1				Gasket - front (697-04)		
EF.4.	046 E 6141		1	1	1				Gasket - centre (697-04)		
EF.5.	046 E 6148		1	1	1				Gasket - rear (697-04)		
EF.6.	046 E 6145		2	2	2				Bolt - (697-04))	Up to Engine No.	
EF.7.	046 E 6144		6	6	6				Washer - (697-04))	Up to Engine No.	
	046 E 6144				4				Washer - (697-04))	From Engine No.	
EF.8.	054 E 6013					1			Manifold - (821-30)		
EF.9.	046 E 6255	1							Connector - Vacuum Hose		
EF.10.	054 E 6010	2							Nut (697-04)	From Engine No.	
									(821-30)	From Engine No. 0001	
EF.11.	046 E 6146	6							Nut (821-30)	From Engine No. 0001	
	046 E 146A				4				(697-04)	From Engine No.	
EF.12.	046 E 6144					4			Washer		
EF.13.	A046 W 6019	1							Bolt - 8 x 14		
EF.14.	046 E 6138	1							Washer		
EF.15.	054 E 6005					1			Gasket		
12.70											

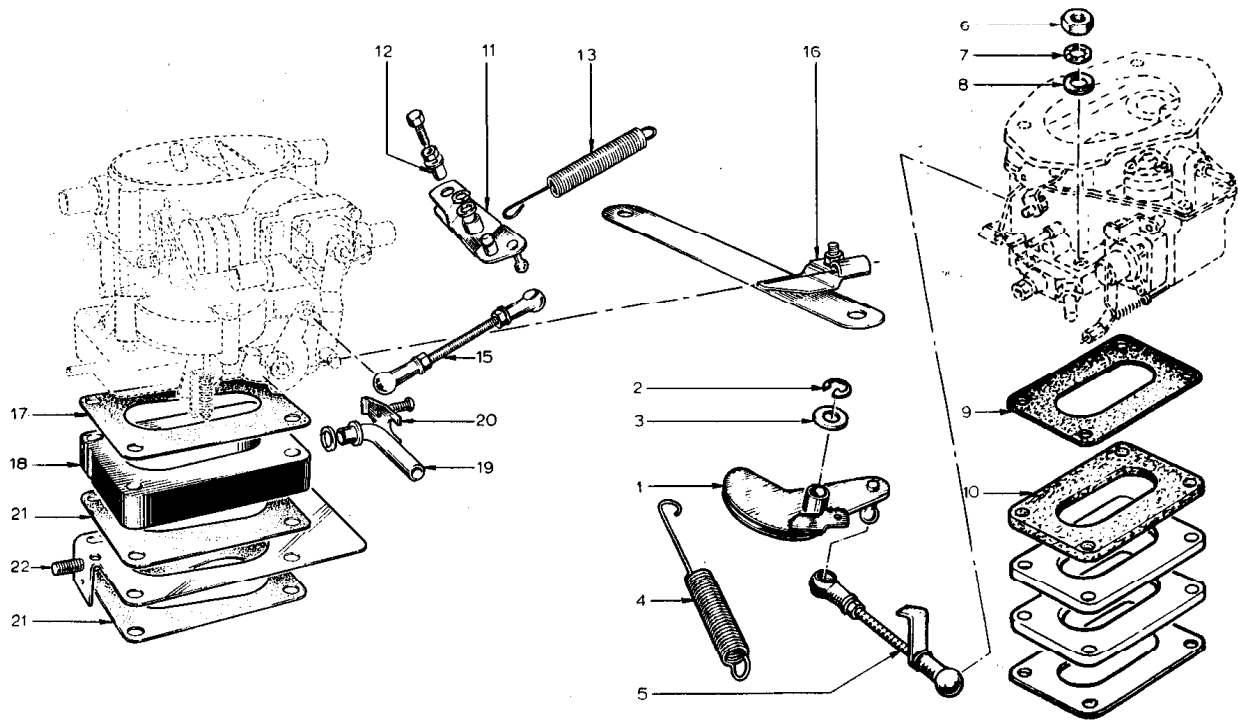


PLATE Ref. No.	PART No.	QUANTITY					STEERING		DESCRIPTION	CHANGE POINT	BULLETIN REFERENCE
		ALL	SI.	SI. Mk 1	SZ.	SZ. Fed.	RH	LH			
		EG. 1.	046 E 6152	1							
EG. 2.	046 E 6151	1						Relay Lever			
EG. 3.	A046 W 6002	1						Cirolip			
EG. 4.	046 E 6402	1						Washer - c. am.			
EG. 5.	046 E 6153	1						Return Spring			
EG. 6.	A046 W 6023	4						Operating Lever			
EG. 7.	A046 W 6001	4						Nut			
EG. 8.	046 E 6154	4						'Star' Washer			
EG. 9.	046 E 6155	3						Washer - plain, 8 mm.			
EG. 10.	046 E 6156	2						Joint			
								Insulator			
								M.O.T. 821-30. R9211			
EG. 11.	A054 E					1		Relay Lever			
EG. 12.	A054 E					1		Collar			
EG. 13.	A054 E					1		Return Spring			
EG. 15.	A054 E					1		Operating Lever			
EG. 16.	A054E					1		Support			
EG. 17.	A054 E					1		Joint			
E .19.	A054 E					1		Insulator			
EG. 19.	A054 E					1		Elbow			
EG. 20.	A054 E					1		Clip			
EG. 21.	A054 E					2		Joint			
EG. 22.	A054 E					1		Support Plate			

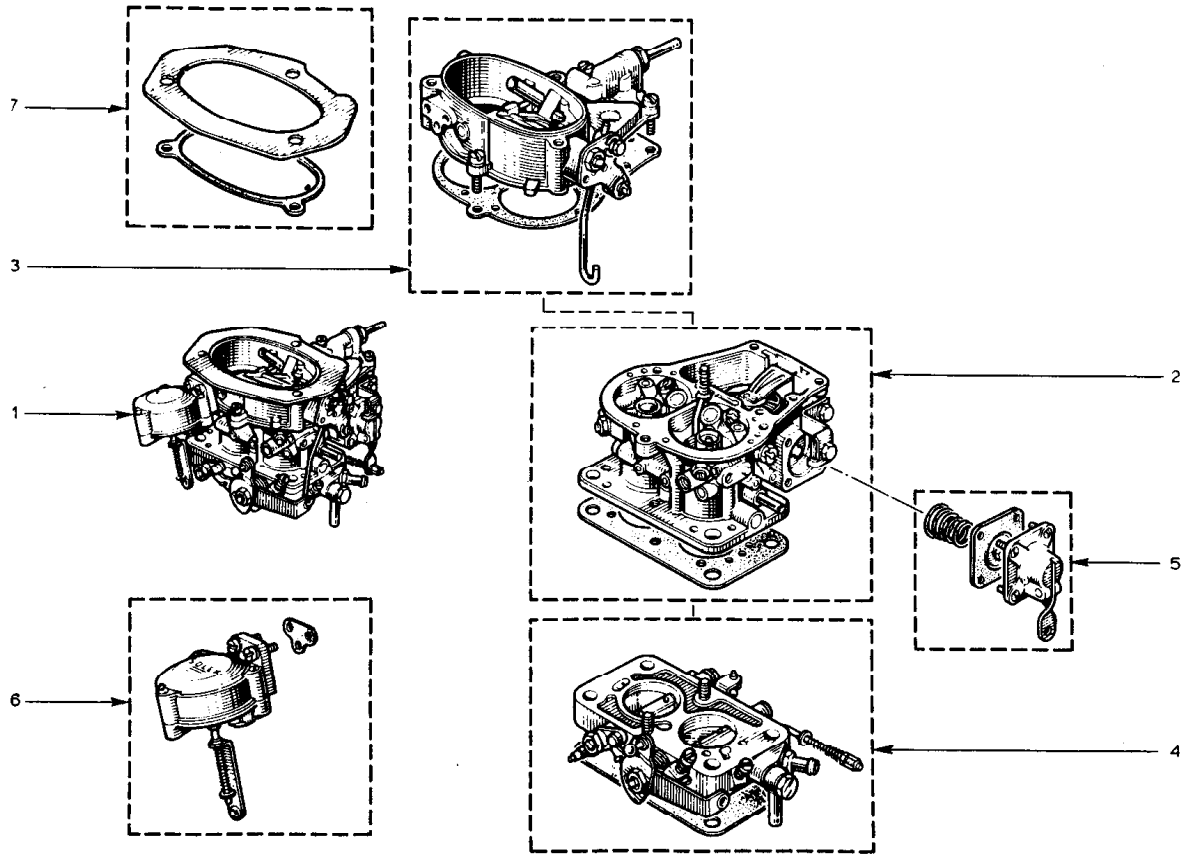


PLATE Ref. No.	PART No.	QUANTITY					STEERING		DESCRIPTION	CHANGE POINT	BULLETIN REFERENCE
		ALL	SI.	SI. Mk 1	S2.	S2. Fed.	RH	LH			
	046 E 6159	1							Carburettor - 383) fully) replaced by	Up to Engine No. 0044	
	046 E 6404	1							Carburettor - 383) interchange) 046 E.6462 able) after exhausting) old stocks	Up to Engine No. 0044	
EH.1.	046 E 6426	1							Carubettor - 402	From Engine No. 0045 to 0250 excluding 207, 219, 242, 245, 249	
	046 E 6427	1							Carburettor - 402/2 (replaced by 046 E 6430)	From Engine No. 0251 to 0391 including 207, 219, 242, 245, 249	
	046 E 6428	1							Carburettor - 402/3	From Engine No. 0392	
	046 E 6429	1							Carburettor - 415 without electric cutout	From Engine No. 0392 to	
	046 E 6430	1							Carburettor - 415 with electric cutout	From Engine No.	
	054 E 6011					1			Carburettor	From Engine No. 0001 to 0441	
	054 E 6012					1			Carburettor	From Engine No. 0442	
EH.2.	046 E 6762	1							Body - carburettor	Up to Engine No. 0250 excluding 207, 219, 242, 245, 249	
	A046 E 6472	1							Body - carburettor replaced by A046 E 6474 after exhausting old stock carburettor	From Engine No. 0251 to 0391	
	A046 E 6474	1							Body - carburettor	From Engine No. 0251 to 0391	
	A046 E 6473	1							Body - carburettor	From Engine No. 0392	

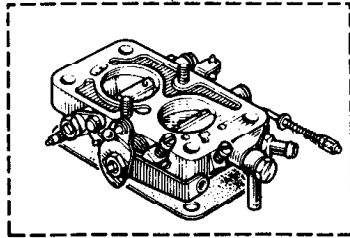
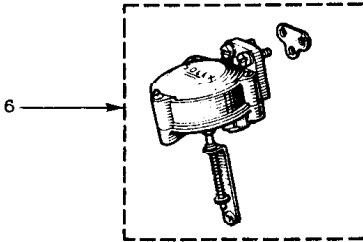
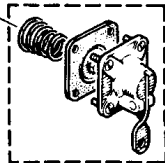
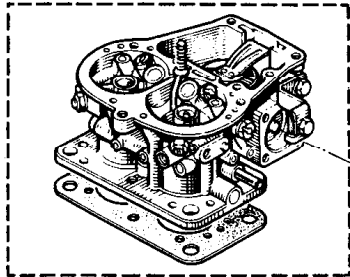
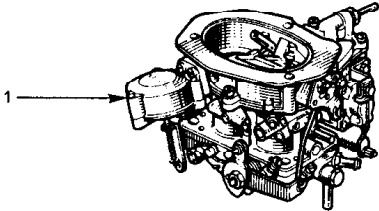
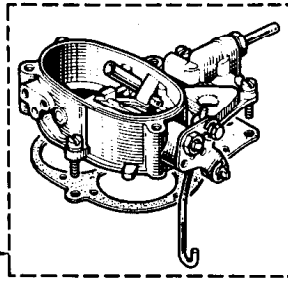
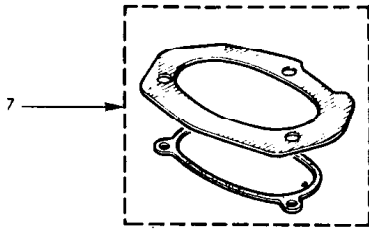


PLATE Ref. No.	PART No.	QUANTITY					STEERING		DESCRIPTION	CHANGE POINT	BULLETIN REFERENCE
		ALL	SI.	SI., Mk 1	S2.	S2. Fed.	RH	LH			
EH. 3	046 E 6158	1							Cover Assembly:- carburettor - without choke control lever	Upto Engine No. 0250 excluding 207, 219, 242, 245, 249	
	046 E 6161	1							Cover Assembly:- carburettor - with choke control lever	Upto Engine No. 0250 excluding 207, 219, 242, 245, 249	
	A046 E 6478	1							Cover Assembly:- carburettor - with choke control lever - replaced by A046 E 6477 after exhausting old stock	From Engine No. 0251 to 0391 including 207, 219, 242, 245, 249	
	A046 E 6477	1							Cover Assembly - carburettor - with choke control lever	From Engine No. 0251 to 0391 including 207, 219, 242, 245, 249	
	A046 E 6479	1							Cover Assembly - carburettor - with choke control lever	From Engine No. 0392	
EH. 4	046 E 6164	1							Throttle block - carburettor) fully	Upto Engine No. 0250 excluding 207, 219, 242, 245, 249	
	046 E 6405	1							Throttle block - carburettor) interchangeable - replaced by A046 E 6476 after exhausting old stock	Upto Engine No. 0250 excluding 207, 219, 242, 245, 249	
	A046 E 6476	1							Throttle block - carburettor	From Engine No. 0251 to 0391 including 207, 219, 242, 245, 249	
	A046 E 6475	1							Throttle block - carburettor	From Engine No. 0392	
EH. 5	046 E 6163	1						Pump - accelerator			
EH. 6	046 E 6160	1							Vacuum unit (697-04)		
	A054 E 6030	1							Vacuum unit (821-30)		
EH. 7	046 E 6457	1							Mounting plate		

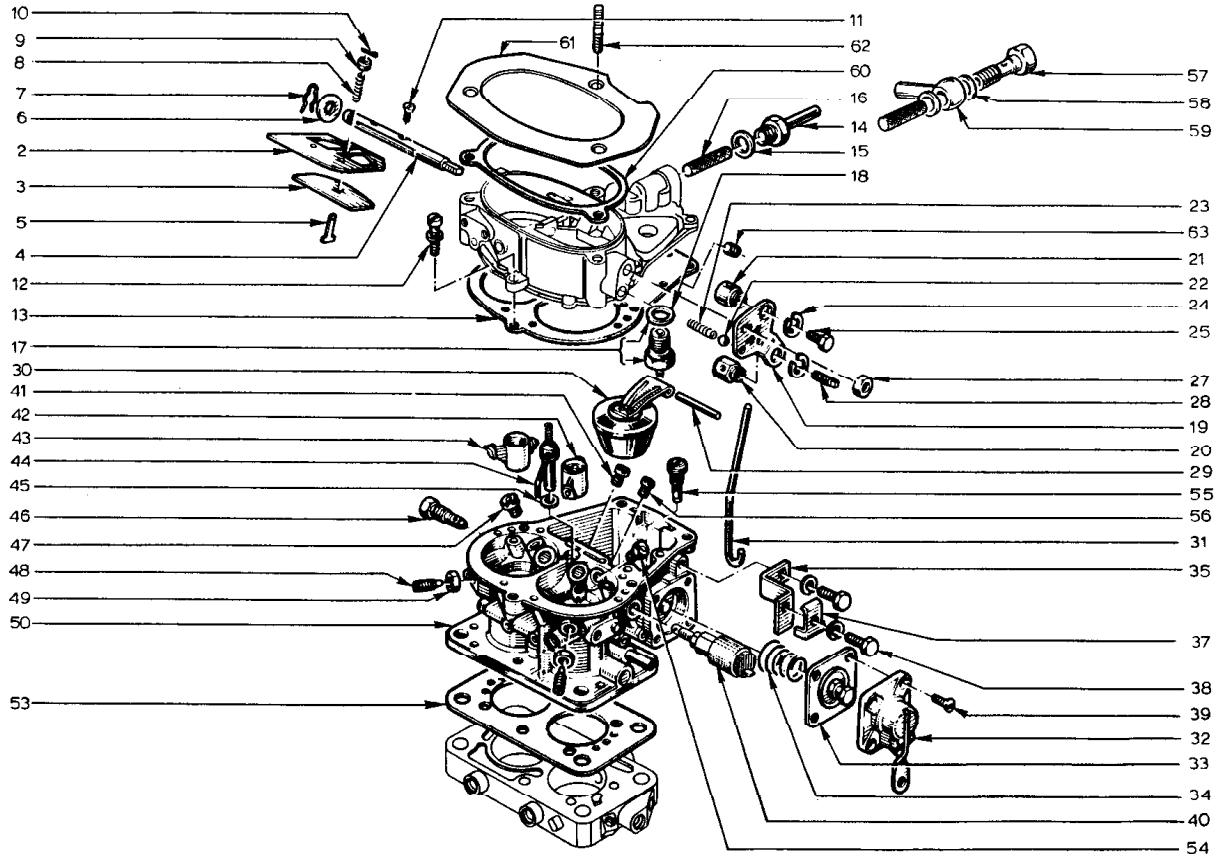


PLATE Ref: No.	PART No.	QUANTITY					STEERING		DESCRIPTION	CHANGE POINT	BULLETIN REFERENCE
		ALL	SI.	SI. Mk 1	S2.	S2. Fed.	RH	LH			
EJ. 2	046 E 6170	1							Flap - Choke		
EJ. 3	046 E 6171	1							Flap - Choke By-pass	Up to Engine No. 0250 excluding 207, 219, 242, 245, 249	
	A046 E 6480	1							Flap - Choke By-pass	From Engine No. 0251 including 207, 219, 242, 245, 249	
EJ. 4	046 E 6173	1							Shaft - Choke		
EJ. 5	046 E 6172	1							Shaft - Choke By-pass	Up to Engine No. 0250 excluding 207, 219, 242, 245, 249	
	A046 E 6481	1							Shaft - Choke By-pass	From Engine No. 0251 including 207, 219, 242, 245, 249	
EJ. 6	046 E 6169	1							Washer) Choke Shaft		
EJ. 7	046 E 6168	1							Retaining Clip)		
EJ. 8	046 E 6167	1							Spring)	Up to Engine No. 0250 excluding 207, 219, 242, 245, 249	
	046 E 6412	1							Spring)	From Engine No. 0251 including 207, 219, 242, 245, 249	
) Choke By-pass Flap		
EJ. 9	046 E 6166	1							Nut)	Up to Engine No. 0250 excluding 207, 219, 242, 245, 249	
	046 E 6411	1							Nut)	From Engine No. 0251 including 207, 219, 242, 245, 249	
EJ. 10	046 E 6165	1							Split Pin)		
EJ. 11	046 E 6189	2							Screw - Flap to shaft		
EJ. 12	046 E 6414	5							Screw - Cover to body		

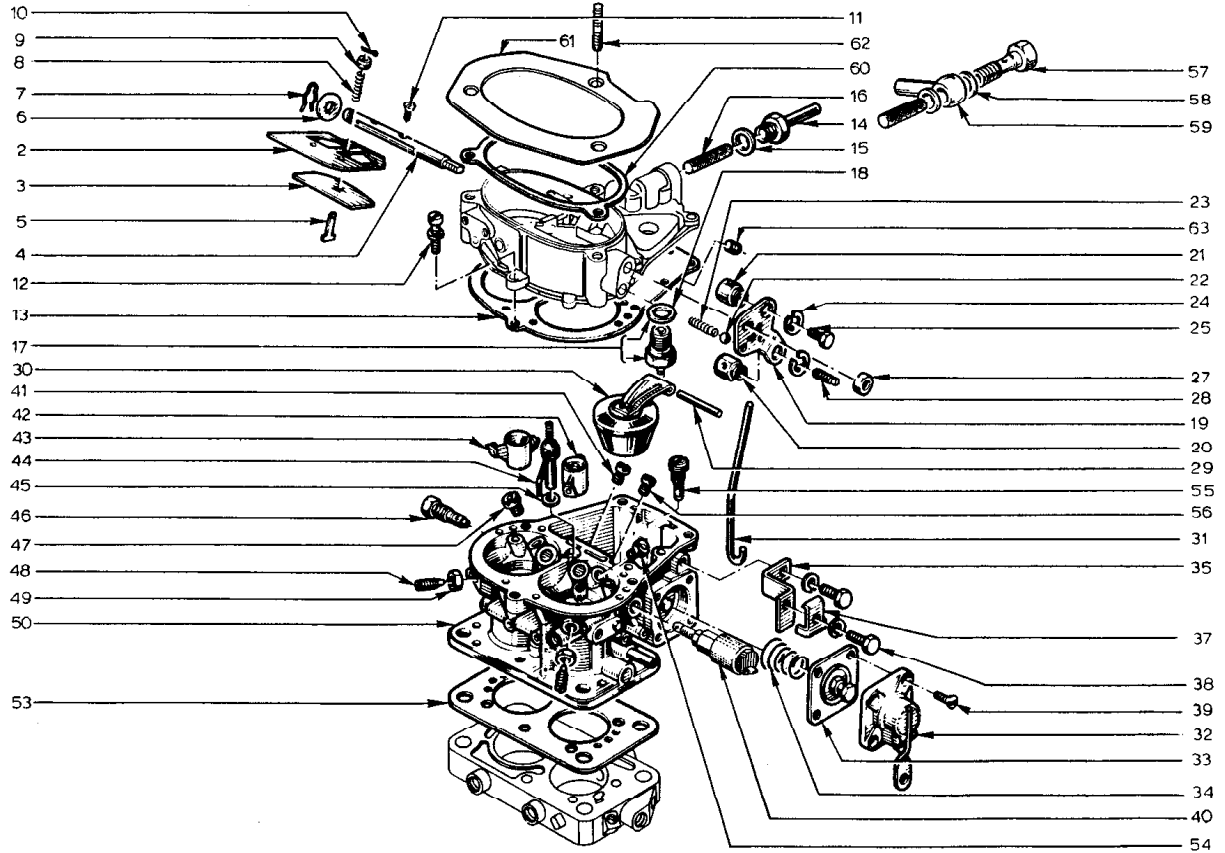


PLATE Ref. No.	PART No.	QUANTITY					STEERING		DESCRIPTION	CHANGE POINT	BULLETIN REFERENCE
		ALL	S1.	ST. Mk 1	S2.	S2. Fed.	RH	LH			
EJ. 13	046 E 6175	1							Gasket - Cover	Up to Engine No. 0250 excluding 207, 219, 242, 245, 249	
	A046 E 6485	1							Gasket - Cover		
	A046 W 6027	5							Spring washer) Washer) cover to main body		
	A046 E 6482	5									
EJ. 14	046 E 6193		1	1	1				Connector - fuel inlet (697-04)	Up to Engine No. 0250 excluding 207, 219, 242, 245, 249	
EJ. 15	046 E 6194		1	1	1				Washer - fuel inlet (697-04)		
EJ. 16	046 E 6192	1							Gauze - fuel inlet		
EJ. 17	046 E 6176	1							Needle valve - 1.7 m.m.		
EJ. 18	046 E 6195	1							Washer - needle valve		
EJ. 19	046 E 6215	1							Lever - choke control		
	A046 E 6483	1							Lever - Choke control		
	046 E 6419	1							Lever - Choke control		
EJ. 20	046 E 6216	1							Mounting Bush - Choke cable		
EJ. 21	046 E 6198	1							Mounting Bush - Link to lever		
EJ. 22	046 E 6199	1							Ball - Choke control lever		
EJ. 23	046 E 6196	1							Pressure Spring - Choke lever ball		
EJ. 24	046 E 6211	2							Circlip		
EJ. 25	046 E 6212	1							Clamping Screw - Choke operating link		
EJ. 27	046 E 6213	1							Nut - Choke lever to shaft		
EJ. 28	046 E 6214	1							Clamping Screw - Choke cable to bush		
EJ. 29	046 E 6217	1							Shaft - (For float)		
EJ. 30	046 E 6177	1							Float - 7.3 gr.		

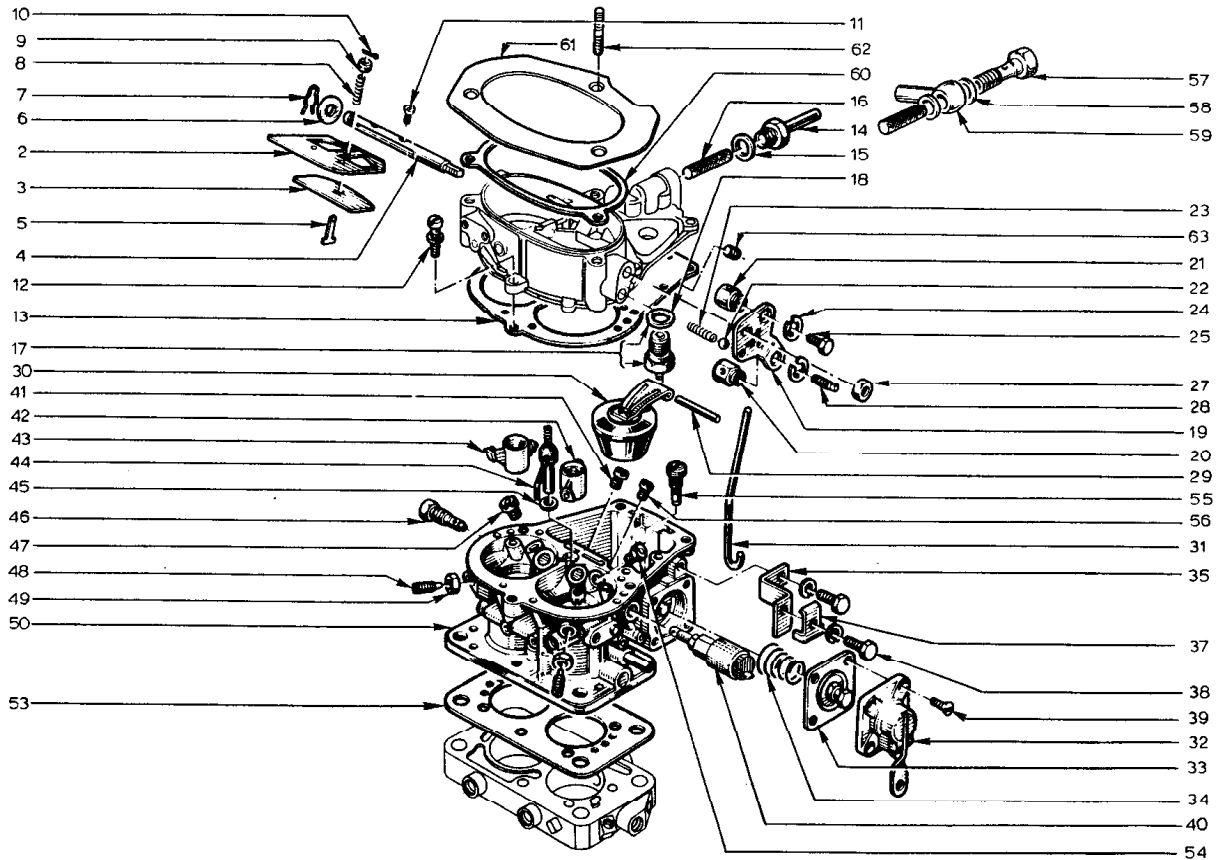


PLATE Ref: No.	PART No.	QUANTITY					STEERING		DESCRIPTION	CHANGE POINT	BULLETIN REFERENCE
		ALL	SI.	SI. Mk 1	S2.	S2. Fed.	RH	LH			
EJ. 31	046 E 6220	1							Link - Choke operating	Upto Engine No. 0391 From Engine No. 0392	
	046 E 6420	1						Link - Choke operating			
EJ. 32	046 E 6225	1						Cover - Accelerator pump			
EJ. 33	046 E 6226	1						Diaphragm - Accelerator pump			
EJ. 34	046 E 6227	1						Spring - Accelerator pump diaphragm			
EJ. 35	046 E 6221	1						Bracket - Choke cable	Upto Engine No. 0391 From Engine No. 0392		
	046 E 6421	1						Bracket - Choke cable			
EJ. 37	046 E 6223	1						Bracket - Choke cable			
EJ. 38	046 E 6222	2						Bolt) Choke cable mounting bracket			
	A046 W 6037	2						Washer)			
EJ. 39	046 E 6224	4						Screw - Accelerator pump cover			
EJ. 40	046 E 6416		1	1	1			Idle Jet - 50 with electric 'cutout' - (697-04)	From Engine No. 0392		
	A054 E 6037					1		Idle Jet - 60 with electric 'cutout' - (821-30)			
EJ. 41	046 E 6178		1	1	1			Jet - 140 (697-04)			
	A054 E 6036					1		Jet - 142,5 (821-30)			
EJ. 42	046 E 6406		1	1	1			Emulsion block - 2,8 (697-04)			
	054 E 6032					1		Emulsion block - 2,8 (821-30)			
EJ. 43	046 E 6407	1						Emulsion block - 3,2			
EJ. 44	046 E 6181	1						Injection tube - 40			
EJ. 45	046 E 6182	1						Gasket - Injection tube			
EJ. 46	046 E 6183		2	2	2			Idle Jet - 50 (697-04)	Upto Engine No. 0391 From Engine No. 0392		
	046 E 6183		1	1	1			Idle Jet - 50 (697-04)			
	A054 E 6034					1		Idle Jet - 95 (821-30)			
EJ. 47	046 E 6184		1	1	1			Jet - 150 (697-04)			
	A054 E 6033					1		Jet - 125 (821-30)			

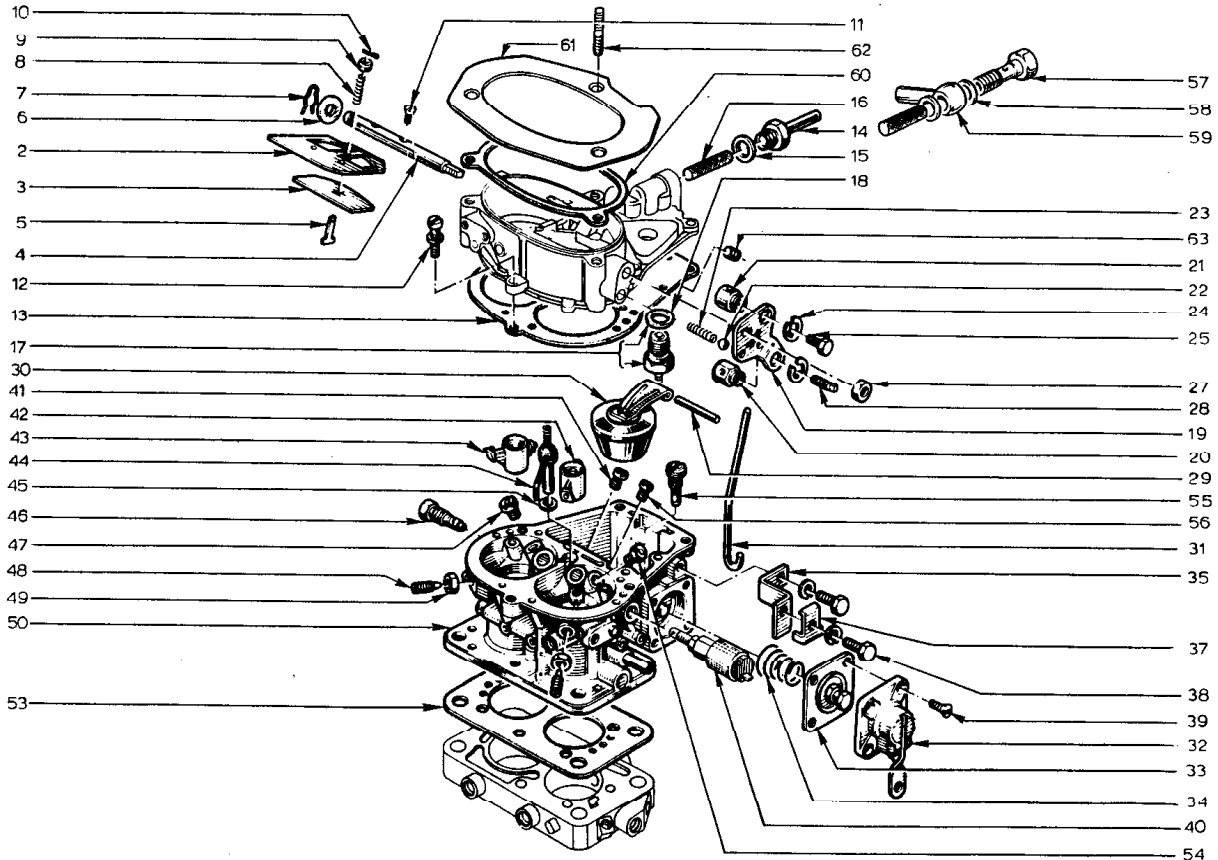


PLATE Ref: No.	PART No.	QUANTITY					STEERING		DESCRIPTION	CHANGE POINT	BULLETIN REFERENCE
		ALL	SI.	SI. Mk 1	S2.	S2. Fed.	RH	LH			
EJ. 48	046 E 6185	2							Retaining Screw) Emulsion block		
EJ. 49	046 E 6186	2							Lock Nut)		
EJ. 50	046 E 6187		1	1	1				Body (697-04)		Upto Engine No. 0250 excluding 207, 219, 242, 245, 249
	A046 E 6484	1							Body		Upto Engine No. 0250 excluding 207, 219, 242, 245, 249
EJ. 53	046 E 6188	1							Gasket - Main body to throttle block		From Engine No. 0251 including 207, 219, 242, 245, 249
EJ. 54	046 E 6228		1	1	1				Jet - 135 (697-04)		
	A054 E 6033					1			Jet - 125 (821-30)		
EJ. 55	046 E 6218	1							Jet		
EJ. 56	046 E 6219		1	1	1				Jet - 145 (697-04)		
	A054 E 6035					1			Jet - 120 (821-30)		
EJ. 57	A054 E 6067					1			Banjo bolt (821-30)		
EJ. 58	046 E 6256					2			Washer (821-30)		
EJ. 59	A054 E 6068					1			Banjo (821-30)		
EJ. 60	046 E 6191	1							Gasket - mounting plate		From
EJ. 61	046 E 6417	1							Mounting plate		From Engine No. 0251 including 207, 219, 242, 245, 249
EJ. 62	A046 W 6013	3							Stud - Air filter to carburettor		From Engine No. 0251 including 207, 219, 242, 245, 249
EJ. 63	046 E 6418	1							Jet - Air correction - 270		From Engine No. 0251 including 207, 219, 242, 245, 249

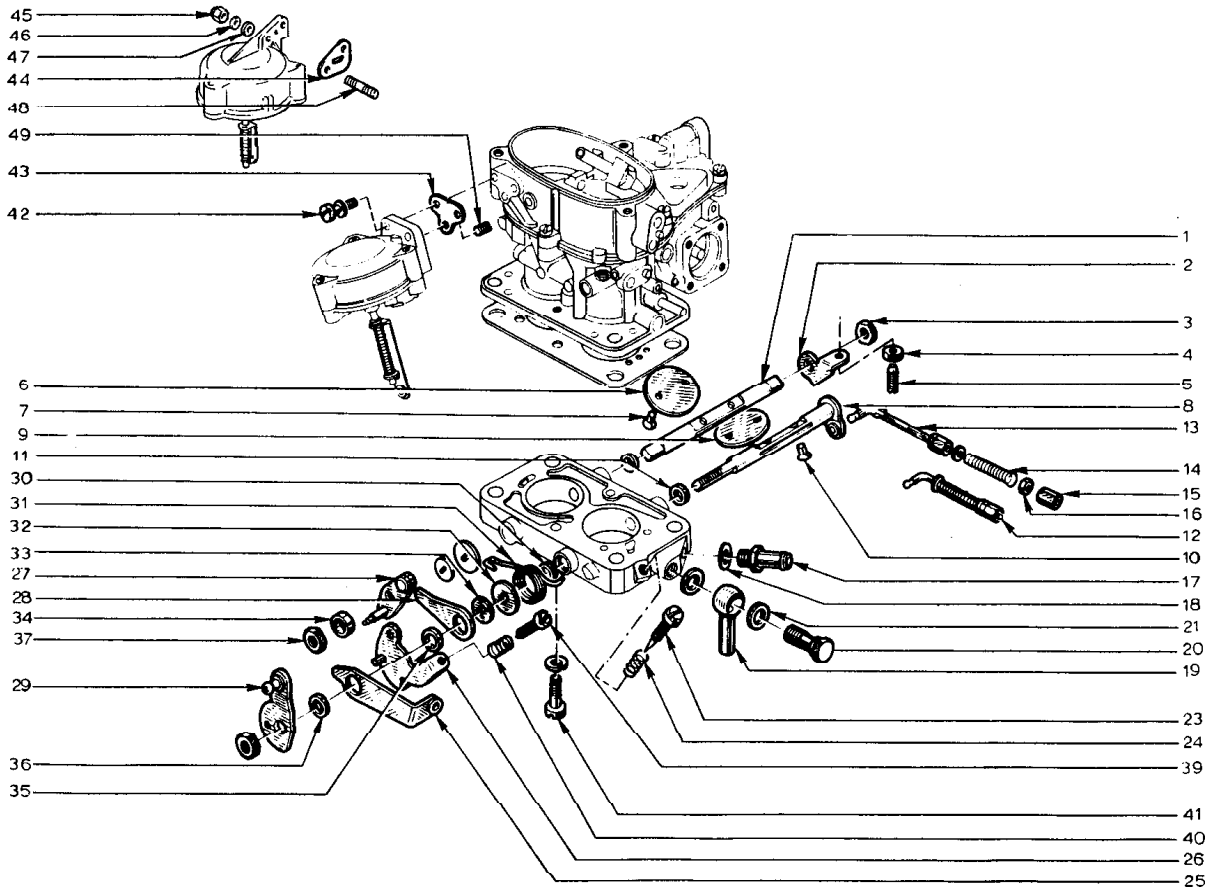


PLATE Ref. No.	PART No.	QUANTITY					STEERING		DESCRIPTION	CHANGE POINT	BULLETIN REFERENCE
		ALL	S1.	S1. Mk 1	S2.	S2. Fed.	RH	LH			
EK. 1	046 E 6245	1							Shaft - Throttle valve		
EK. 2	046 E 6246	1							Stop Lever		
EK. 3	046 E 6241	1							Nut - Throttle Shaft		
EK. 4	046 E 6247	1							Lock Nut)) Throttle Stop		
EK. 5	046 E 6248	1							Adjustment Screw)		
EK. 6	046 E 6232	1							Throttle Valve		
EK. 7	046 E 6233	2							Screw		
EK. 8	046 E 6249	1							Shaft with lever - throttle valve		
EK. 9	046 E 6232	1							Throttle valve		
EK. 10	046 E 6233	2							Screw	Upto Engine No. 0250 excluding 207, 219, 242, 245, 249	
	046 E 6410	2							Screw	From Engine No. 0251 including 207, 219, 242, 245, 249	
EK. 11	046 E 6234	2							Spacer bush		
EK. 12	046 E 6254	1							Link Assembly - Accelerator pump	Upto 0250 excluding 207, 219, 242, 245, 249	
	046 E 6409	1							Link Assembly - Accelerator pump	From 0251 including 207, 219, 242, 245, 249	
EK. 13	046 E 6250	1							Link - Accelerator pump	Upto Engine No. 0250 excluding 207, 219, 242, 245, 249	
	A046 E 6486	1							Link - Accelerator pump	From Engine No. 0251 including 207, 219, 242, 245, 249	
EK. 14	046 E 6251	1							Spring - Accelerator pump link		
EK. 15	046 E 6252	2							Nut - Accelerator pump link		

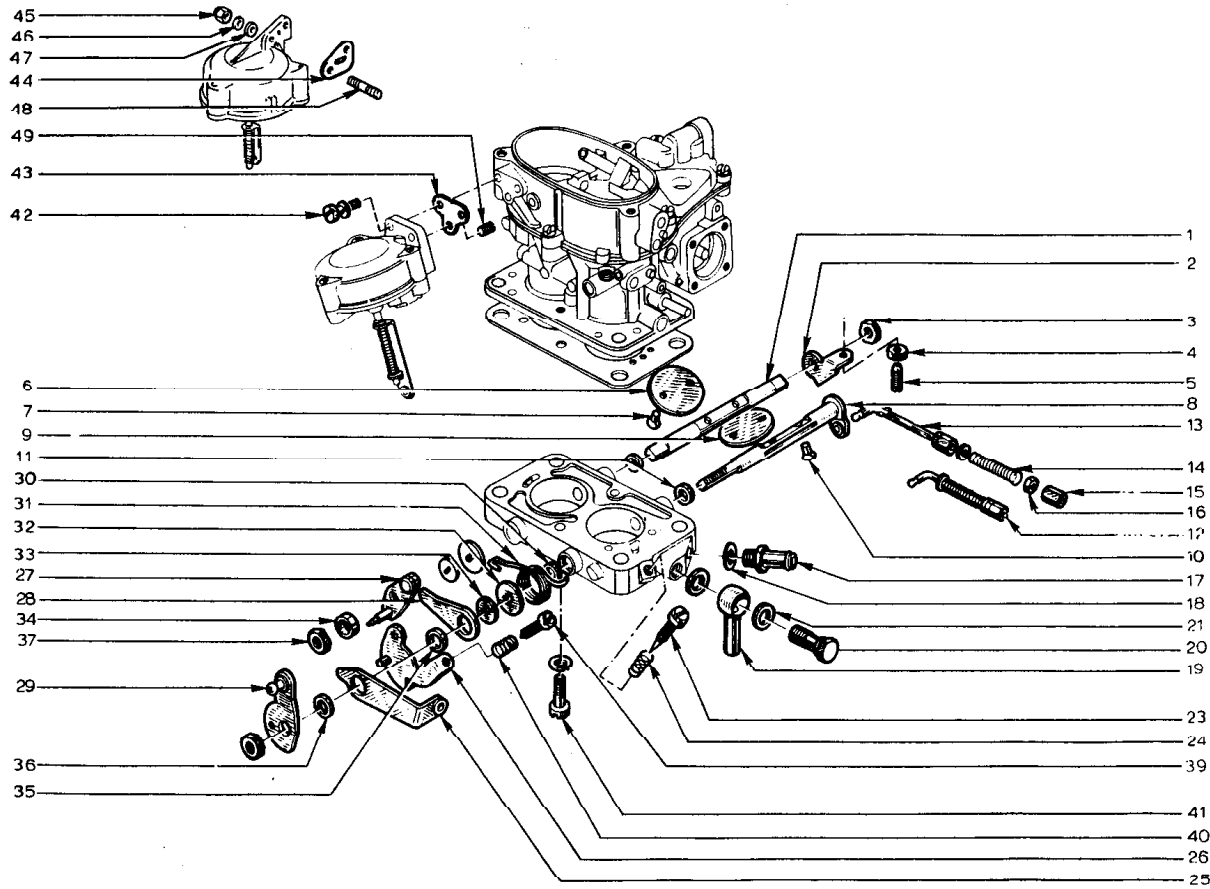


PLATE Ref: No.	PART No.	QUANTITY				STEERING		DESCRIPTION	CHANGE POINT	BULLETIN REFERENCE	
		ALL	SI.	SI. Mk 1	S2.	S2. Fed.	RH				LH
EK.16.	046 E 6253	2						Nut - Accelerator Pump Link			
	A046 W 6028	1						Washer - Accelerator Pump Link			
EK.17.	046 E 6255	1						Connection			
EK.18.	046 E 6256	1						Washer			
EK.19.	046 E 6258	1						Connector - Banjo			
EK.20.	046 E 6257	1						Banjo Bolt			
EK.21.	046 E 6256	2						Washer			
EK.23.	046 E 6259		1	1	1			Idle Screw) Non-Emission		
EK.24.	046 E 6260		1	1	1			Spring - Idle Screw			
	A065 E 6003					1		Screw, Slow Running) Exhaust Emission		
	046 E 6260					1		Spring			
	A065 E 6004					1		Washer			
	A065 E 6005					1		10' Ring			
EK.25.	046 E 6264	1						Lever - Choke Operating Link	Upto Engine No. 0391		
	046 E 6408	1						Lever - Choke Operating Link	From Engine No. 0392		
EK.26.	046 E 6263	1						Stop Lever - Idle Adjustment			
EK.27.	046 E 6238	1						Stop Lever - Second Stage			
EK.28.	046 E 6239	1						Intermediate Lever			
EK.29.	046 E 6242	1						Lever - Throttle Control			
EK.30.	046 E 6234	1						Spacer Bush			
EK.31.	046 E 6235	1						Return Spring			
EK.32.	046 E 6236	2						Washer			
EK.33.	046 E 6237	2						Washer			
EK.34.	046 E 6240	1						Spacer Bush			
EK.35.	046 E 6244	1						Spacer Bush - 11 x 8 x 3 mm.			
EK.36.	046 E 6243	1						Spacer Bush - 10.9 x 18.1 x 2 mm.			

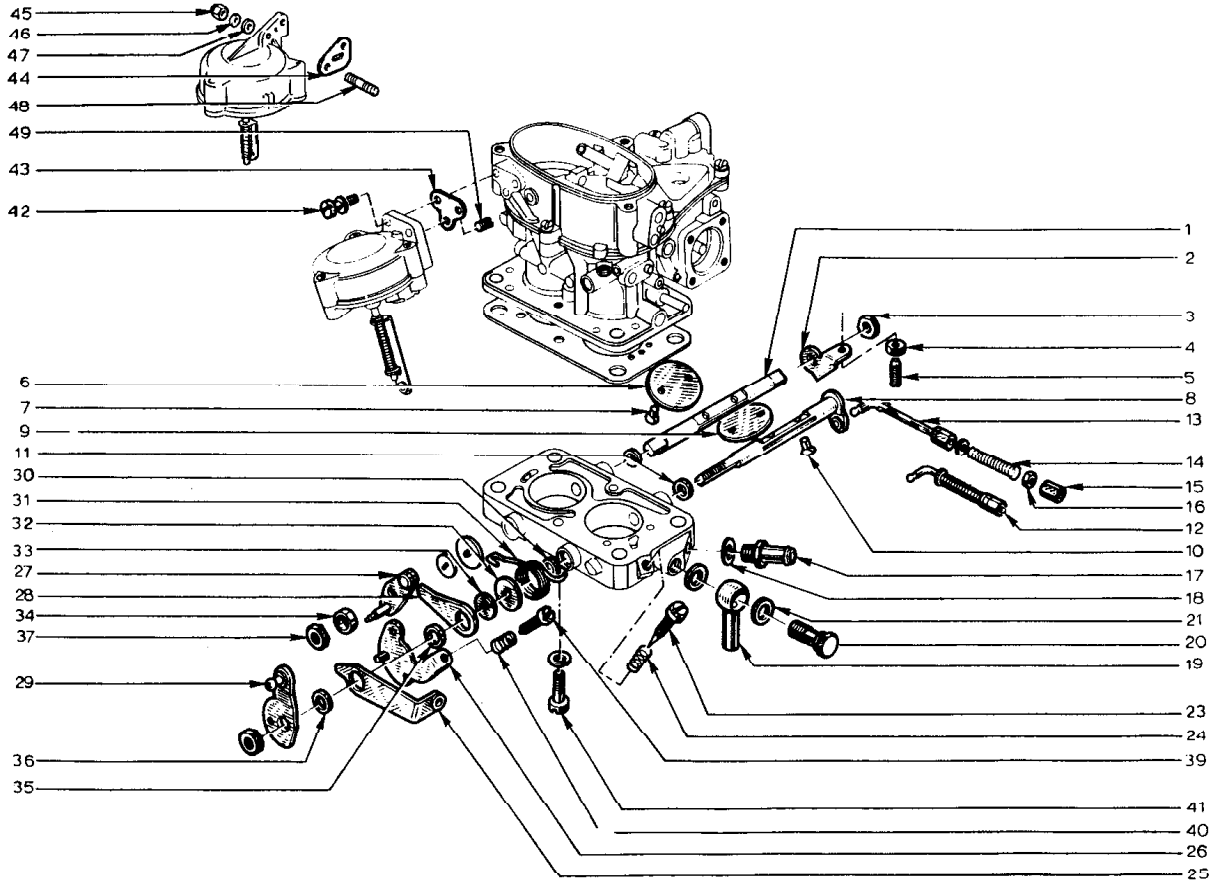


PLATE Ref: No.	PART No.	QUANTITY					STEERING		DESCRIPTION	CHANGE POINT	BULLETIN REFERENCE
		ALL	SI.	SI. Mk 1	S2.	S2. Fed.	RH	LH			
EK.37.	046 E 6241	2							Nut		
EK.39.	046 E 6261	1							Screw - Throttle Stop		
EK.40.	046 E 6260	1							Spring - Throttle Stop Screw		
EK.41.	046 E 6262	2							Screw) Washer) Throttle Block to Carburetter Body		
	A046 W 6029	2									
EK.42.	046 E 6174	2							Screw - Vacuum Control to Cover	Upto Engine No. 0250 excluding 207, 219, 242, 245, 249	
EK.43.	046 E 6231		1	1	1				Gasket - Vacuum Control to Cover (697-04)		
EK.44.	A054 E 6031					1			Gasket - Vacuum Control to Cover (821-30)		
EK.45.	A046 W 6109	2							Nut - Vacuum Control to Cover	From Engine No. 0251 including 207, 219, 242, 245, 249	
EK.46.	A046 W 6027	2							Spring Washer - Vacuum Control to Cover	From Engine No. 0251 including 207, 219, 242, 245, 249	
EK.47.	A046 W 6111	2							Washer - Vacuum Control to Cover	From Engine No. 0251 including 207, 219, 242, 245, 249	
EK.48.	A046 W 6110	2							Stud - Vacuum Control to Cover	From Engine No. 0251 including 207, 219, 242, 245, 249	
EK.49.	046 E 6197	1							Jet - 80	Upto Engine No. 0250 excluding 207, 219, 242, 245, 249	
	A046 E 6487	1							Jet - 70	From Engine No. 0251 including 207, 219, 242, 245, 249	

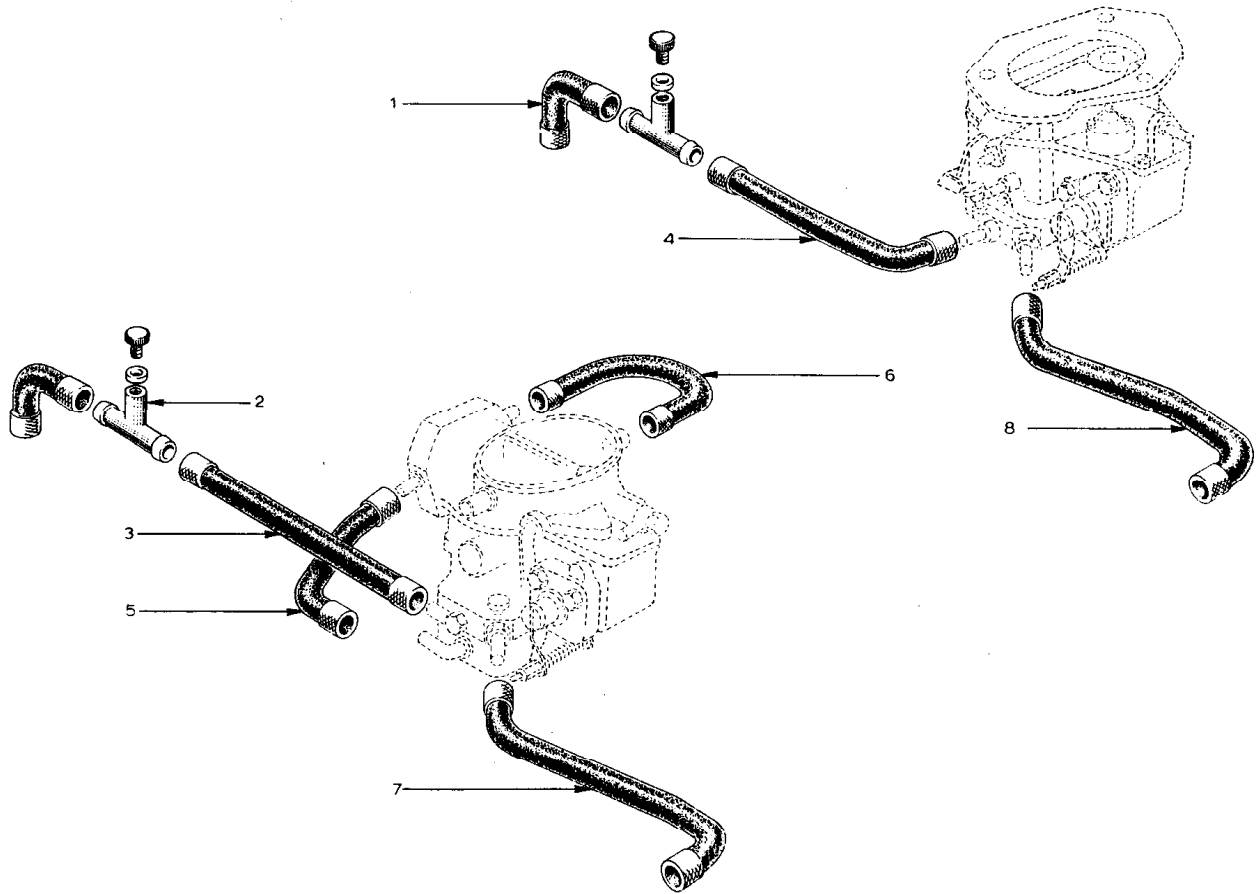


PLATE Ref: No.	PART No.	QUANTITY					STEERING		DESCRIPTION	CHANGE POINT	BULLETIN REFERENCE
		ALL	SI.	SI. Mk 1	S2.	S2. Fed.	RH	LH			
EL.1	A046 E 6270	1							Hose		
EL.2	046 E 6267	1							Valve		
	046 E 6268	1							Screw Cap		
	046 E 6269	1							Washer		
EL.3	A046 E 6272		1	1	1				Hose (697-04)		
EL.4	054 E 6039					1			Hose (821-30)		
EL.5	054 E 6040					1			Hose (821-30)		
	A054 E 6100					1			Hose (821-30)		Upto Engine No. 0441
EL.6	054 E 6038					1			Hose (821-30)		From Engine No. 0442
	A054 E 6101					1			Hose (821-30)		Upto Engine No. 0441
EL.7	A046 E 6274		1	1	1				Hose (697-04)		From Engine No. 0442
EL.8	054 E 6041					1			Hose (821-30)		
	046 E 6271	4							Clip		
	046 E 6273					4			Clip (821-30)		
	046 E 6273		2	2	2				Clip (697-04)		
	A054 E 6091					2			Clip (821-30)		

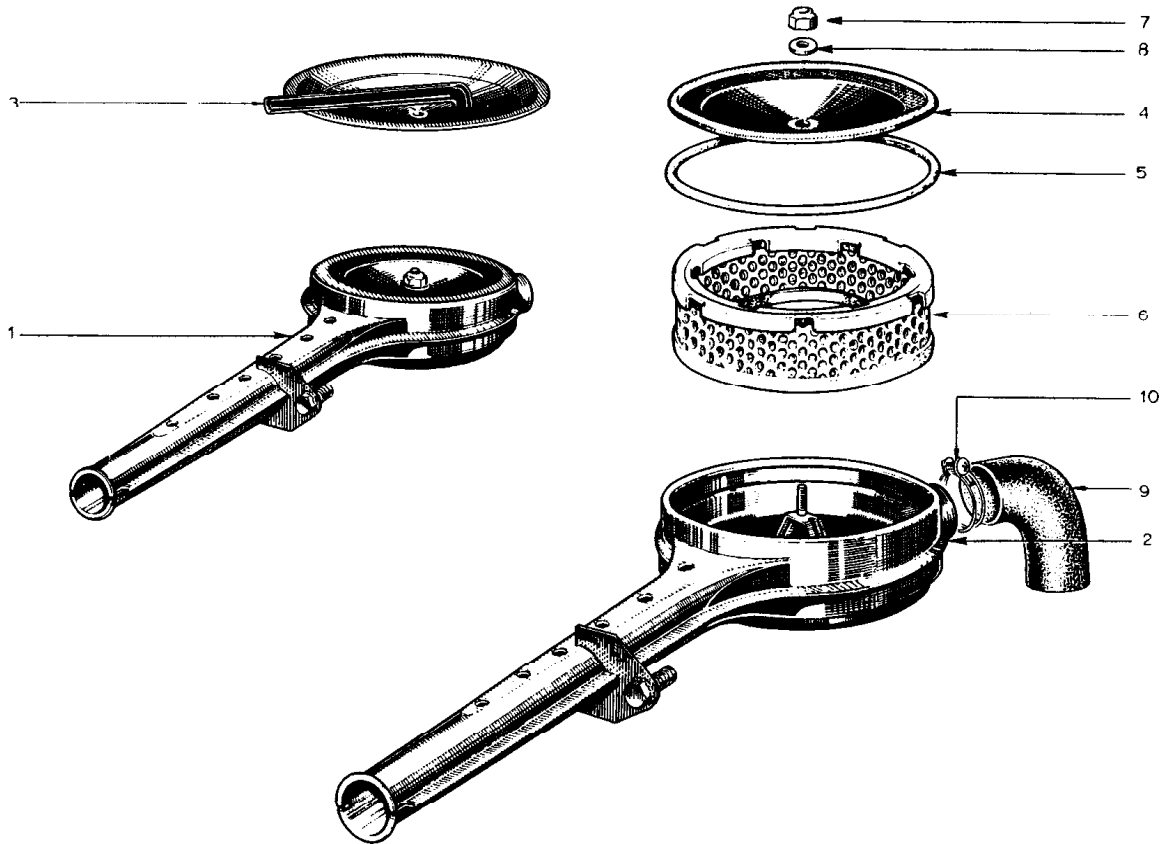


PLATE Ref: No.	PART No.	QUANTITY					STEERING		DESCRIPTION	CHANGE POINT	BULLETIN REFERENCE
		ALL	SI.	SI. Mk 1	S2.	S2. Fed.	RH	LH			
EM. 1	046 E 6275	1	1	1					Air Filter Assembly (697-04)		
	054 E 6009					1			Air Filter Assembly (821-30)		
EM. 2	046 E 6280	1							Air Filter Body		
EM. 3	046 E 6277	1	1	1					Cover - Air filter with seal ring (697-04)		
EM. 4	A046 E 6277					1			Cover - Air filter with seal ring (821-30)		
EM. 5	046 E 6278	1							Seal ring		
EM. 6	046 E 6279	1							Air filter element		
EM. 7	046 E 6452	1							Nut - Cover to body		
EM. 8	A046 E 6466	1							Washer - Cover to body		
EM. 9	046 E 6425	1							Hose - Rocker cover to air filter		
EM. 10	A046 E 6465	1							Clip		

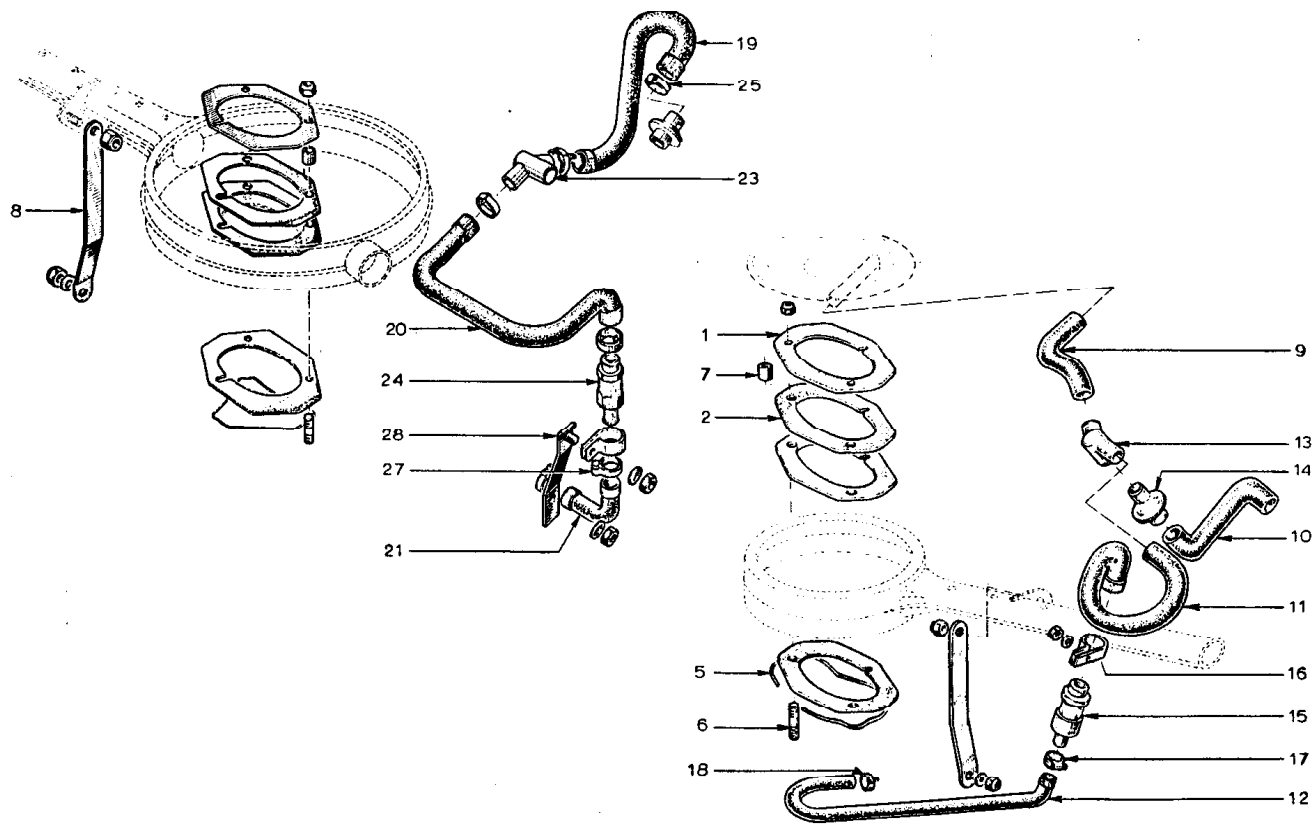


PLATE Ref. No.	PART No.	QUANTITY					STEERING		DESCRIPTION	CHANGE POINT	BULLETIN REFERENCE
		ALL	SI.	SI. Mk 1	S2.	S2. Fed.	RH	LH			
EN.1.	046 S 6001	1							Plate	Upto Eng. No. 0044	
	A046 E 6501	1							Plate	From Eng. No. 0045	
EN.2.	046 S 6000	4							Gasket	Upto Eng. No. 0044	
	046 S 6012	3							Gasket	From Eng. No. 0045	
EN.5.	046 E 6023	1							Clip		
EN.6.	A046 W 6013	3							Stud)		
	046 S 6025	3							Stud) Fully interchangeable		
	A046 W 6033	3							Nut - Air Filter to Carburetter		
EN.7.	A046 E 6500	4							Bush	Upto Eng. No. 0044	
	A046 E 6503	3							Bush	From Eng. No. 0045	
EN.8.	046 S 6022	1							Mounting Bracket		
	A046 W 6035	1							Nut)		
	A046 W 6034	1							Nut) Mounting Bracket Fixing		
	A046 W 6037	1							Washer)		
EN.9.	046 S 6002		1	1	1				Breather Hose (697-04)		
EN.10.	046 S 6015		1	1	1				Breather Hose (697-04)		
EN.11.	046 S 6007		1	1	1				Breather Hose (697-04)		
EN.12.	046 S 6017		1	1	1				Breather Hose (697-04)		
EN.13.	046 S 6014		1	1	1				Connector)		
	A046 E 6498		1	1	1				Connector) (697-04) Fully interchangeable		
EN.14.	046 S 6010	1							Capsule)		
	A046 E 6468	1							Capsule) (697-04) Fully interchangeable		
EN.15.	A046 S 6029		1	1	1				Valve - Non Return		
EN.16.	A046 S 6030	1							Clip - Valve Mounting		

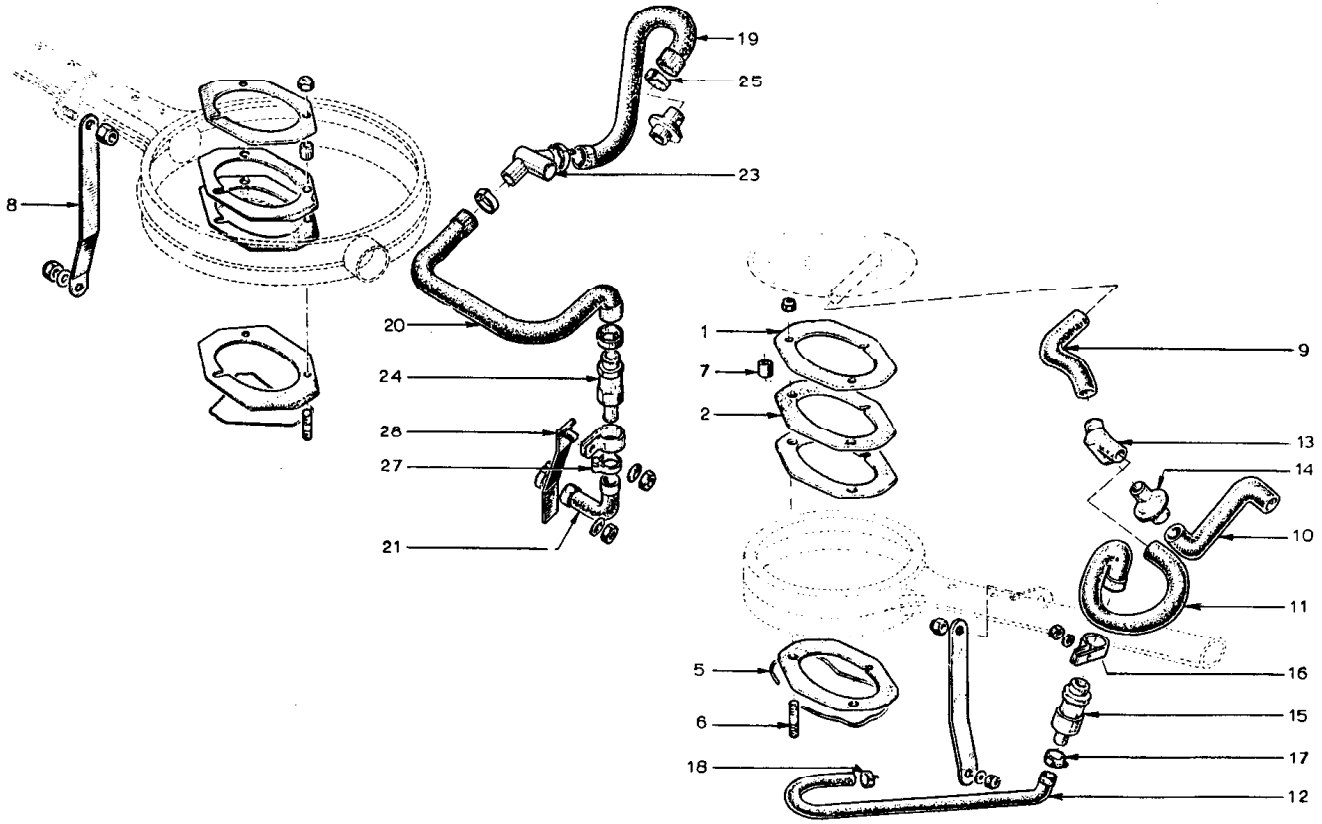


PLATE Ref: No.	PART No.	QUANTITY					STEERING		DESCRIPTION	CHANGE POINT	BULLETIN REFERENCE
		ALL	ST.	ST. Mk 1	S2.	S2. Fed.	RH	LH			
	A046 W 6032		1	1	1				Nut)		
	A046 W 6031		1	1	1				Washer) (697-04)		
	A046 W 6034					1			Nut)		
	A046 W 6037					1			Washer) (821-30)		
EN.17.	046 E 6273		1	1	1				Hose Clip (697-04)		
EN.18.	A046 S 6031		1	1	1				Hose Clip (697-04)		
EN.19.	A054 E 6043					1			Breather Hose (821-30)		
EN.20.	A054 E 6044					1			Breather Hose (821-30)		
EN.21.	A054 E 6045					1			Breather Hose (821-30)		
EN.23.	A046 S 6032					1			Connector (821-30)		
EN.24.	A046 S 6033					1			Valve - Non Return (821-30)		
EN.25.	A046 S 6034					4			Hose Clip (821-30)		
EN.27	A046 S 6035					2			Hose Clip (821-30)		
EN.28.	A046 S 6036					1			Mounting Bracket - Non Return Valve (821-30)		
	A046 W 6032					1			Nut)		
	A046 W 6038					1			Washer) (821-30) Mounting Bracket Fixing		

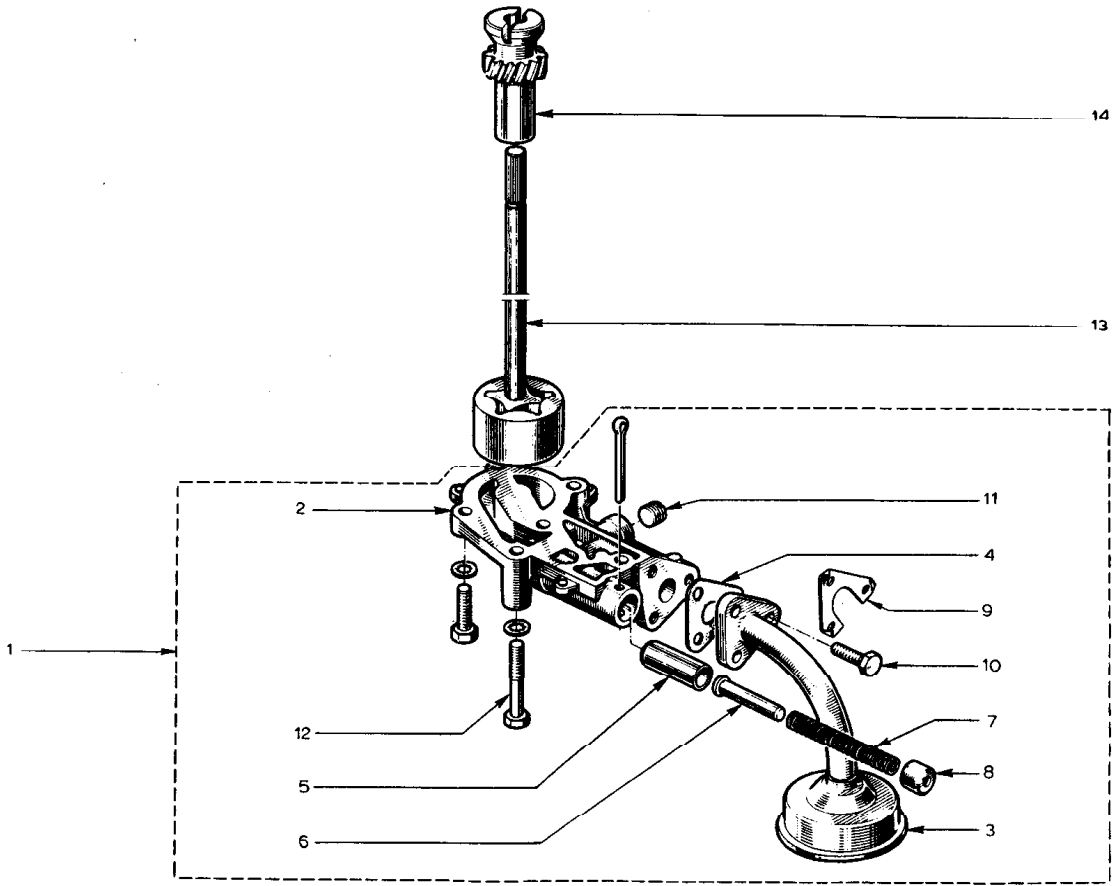


PLATE Ref: No.	PART No.	QUANTITY					STEERING		DESCRIPTION	CHANGE POINT	BULLETIN REFERENCE		
		ALL	ST.	ST. Mk 1	S2.	S2. Fed.	RH	LH					
EO. 1	046 E 6368	1									Oil pump body assembly		
EO. 2	046 E 6281	1									Body-oil pump		
EO. 3	046 E 6291	1									Filter		
EO. 4	046 E 6288	1									Joint - filter to body		
EO. 5	046 E 6283	1									Sleeve - oil pressure relief valve		
EO. 6	046 E 6284	1									Valve - oil pressure relief		
EO. 7	046 E 6289	1									Spring - oil pressure relief		
EO. 8	046 E 6291	1									Cap - oil pressure relief		
	A046 W 6040	1									Split pin - relief valve retaining		
EO. 9	046 E 6367	1									Lock Tab) Filter to pump body		
EO. 10	046 E 6374	3									Bolt)		
EO. 11	046 E 6287	1									Plug		
EO. 12	046 E 6282	2									Bolt - pump body to cylinder block		
	A046 W 6039	2									Bolt - pump body to cylinder block		
	A046 W 6037	4									Washer - pump body to cylinder block		
EO. 13	046 E 6286	1									Oil pump rotor and shaft		
EO. 14	046 E 6372	1									Drive gear		

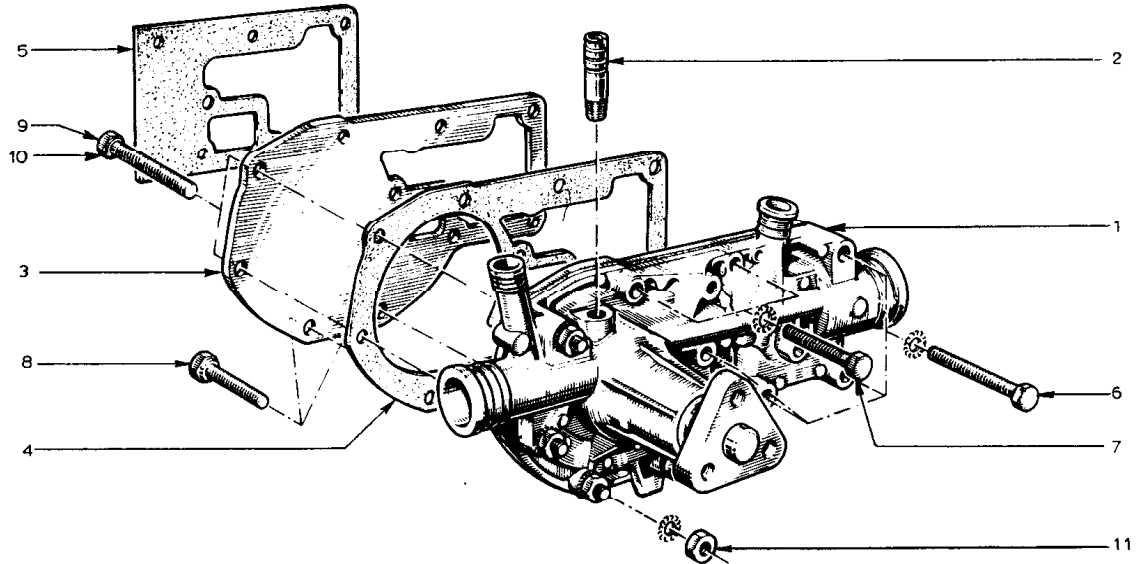


PLATE Ref: No.	PART No.	QUANTITY					STEERING		DESCRIPTION	CHANGE POINT	BULLETIN REFERENCE
		ALL	S1.	S1. Mk 1	S2.	S2. Fed.	RH	LH			
EP.1.	046 E 6297		1	1							
	A046 E 6297		1	1	1			Water Pump Assembly) Replaced by A054 E 6058 Water Pump Assembly) after exhausting old Water Pump Assembly) stocks			
	A054 E 6058	1						Water Pump Assembly			
EP.2.	046 E 6296	1						Connector - Hose to Throttle Block (697-04) (821-30)	Upto Engine No. 1790 Upto Engine No. 0411		
	A054 E 6069	1						Connector - Hose to Throttle Block (697-04) (821-30)	From Engine No. 1791 From Engine No. 0412		
EP.3.	046 E 6294	1						Intermediate Plate			
EP.4.	046 E 6295	1						Gasket - Pump to Intermediate Plate			
EP.5.	046 E 6292	1						Gasket - Intermediate Plate to Cylinder Block			
EP.6.	A046 W 6043	4						Bolt - 7 x 60			
	A046 W 6047	4						Washer			
EP.7.	A046 W 6044	3						Bolt - 7 x 40			
	A046 W 6047	3						Washer			
EP.8.	A046 W 6041	2						Bolt - 7 x 35 (697-04) (821-30)	Upto Engine No. 1641 Upto Engine No. 0222		
	A046 W 6042	2						Bolt - 7 x 20 (697-04) (821-30)	From Engine No. 1642 From Engine No. 0223		
	A046 W 6047	2						Washer (697-04) (821-30)	From Engine No. 1642 From Engine No. 0223		
EP.9.	046 E 6293	2						Bolt - 7 x 55 (697-04) (821-30)	Upto Engine No. 1641 Upto Engine No. 0222		
EP.10.	A046 W 6042	2						Bolt - 7 x 20) washer) (697-04) (821-30)	From Engine No. 1642 From Engine No. 0223		
	A046 W 6047	2									
EP.11.	A046 W 6046	4						Nut) Washer) (697-04) (821-30)	Upto Engine No. 1641 Upto Engine No. 0222		
	A046 W 6045	4									

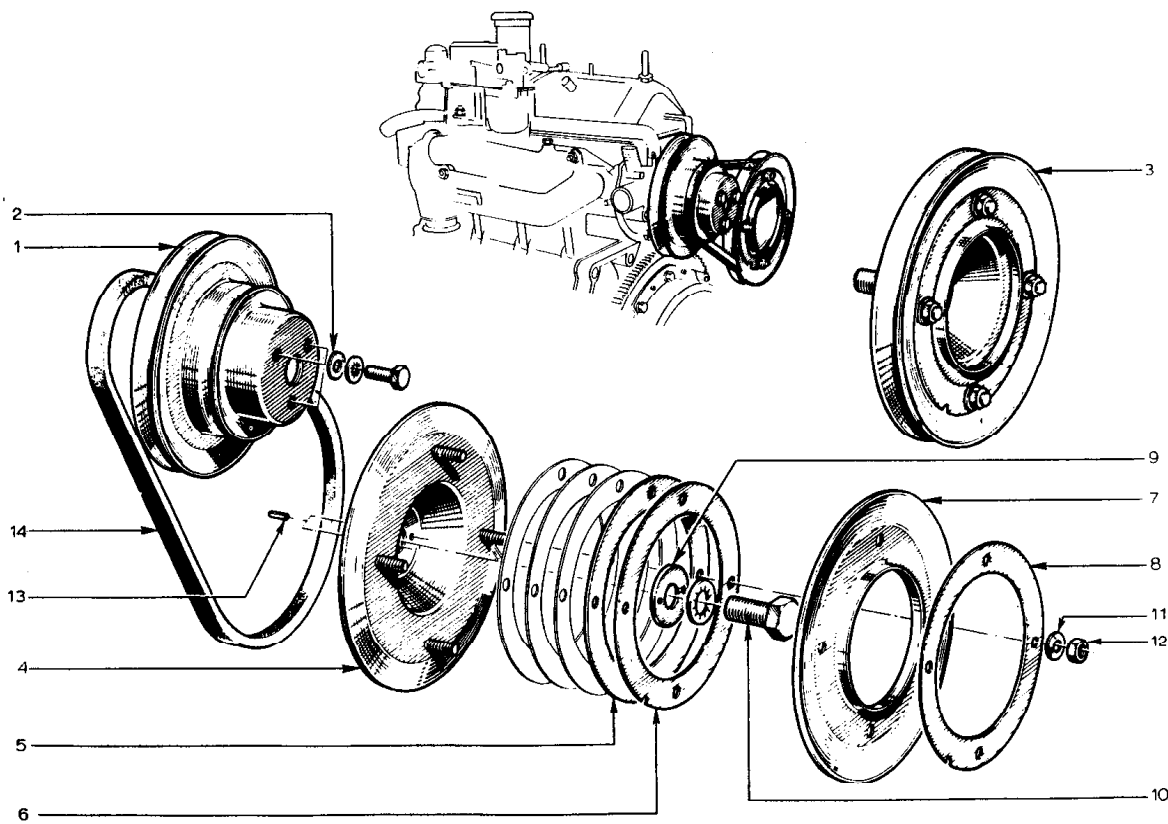


PLATE Ref: No.	PART No.	QUANTITY					STEERING		DESCRIPTION	CHANGE POINT	BULLETIN REFERENCE
		ALL	S1.	S1. Mk 1	S2.	S2. Fed.	RH	LH			
EQ. 1	046 E 6299	1							Water pump pulley - replaced by A046 E 6488 after exhausting old stocks first		
	A046 E 6488	1							Water pump pulley (697-04)	Upto Engine No.	
	A046 E 6489	1							Water pump pulley ((697-04) ((821-30)	From Engine No. From Engine No. 0001	
EQ. 2	046 E 6154	3							Washer)		
	A046 W 6001	3							'Star' Washer) Pulley to water pump		
	A046 W 6049	3							Bolt - 8 x 14 m.m.)		
EQ. 3	046 E 6305	1							Camshaft pulley (697-04) - replaced by A054 E 6070 together with 2 off A054 E 6071 Dowel Pin	Upto Engine No. 1066	
	A054 E 6070	1							Camshaft pulley - ((697-04) ((821-30)	From Engine No. 1067 From Engine No. 0001	
EQ. 4	046 E 6302	1							Hub - camshaft pulley (697-04) - replaced by A054 E 6072 together with 1 off A054 E 6073 after exhausting old stock	Upto Engine No. 1066	
	A054 E 6072	1							Hub - camshaft pulley ((697-04) ((821-30)	From Engine No. 1067 From Engine No. 0001	
EQ. 5	046 E 6303	4							Disc - camshaft pulley - 0.95		
EQ. 6	046 E 6304	2							Disc - camshaft pulley - 0.50		
EQ. 7	046 E 6307	1							Hub support replaced by A054 E 6074 after exhausting old stock		
	A054 E 6074	1							Hub support		
EQ. 8	046 E 6304	1							Support ring		
EQ. 9	046 E 6306	1							Locating washer (697-04) - replaced by A054 E 6074 together with 2 off A054 E 6072 Dowel pin after exhausting old stock	Upto Engine No. 1066	

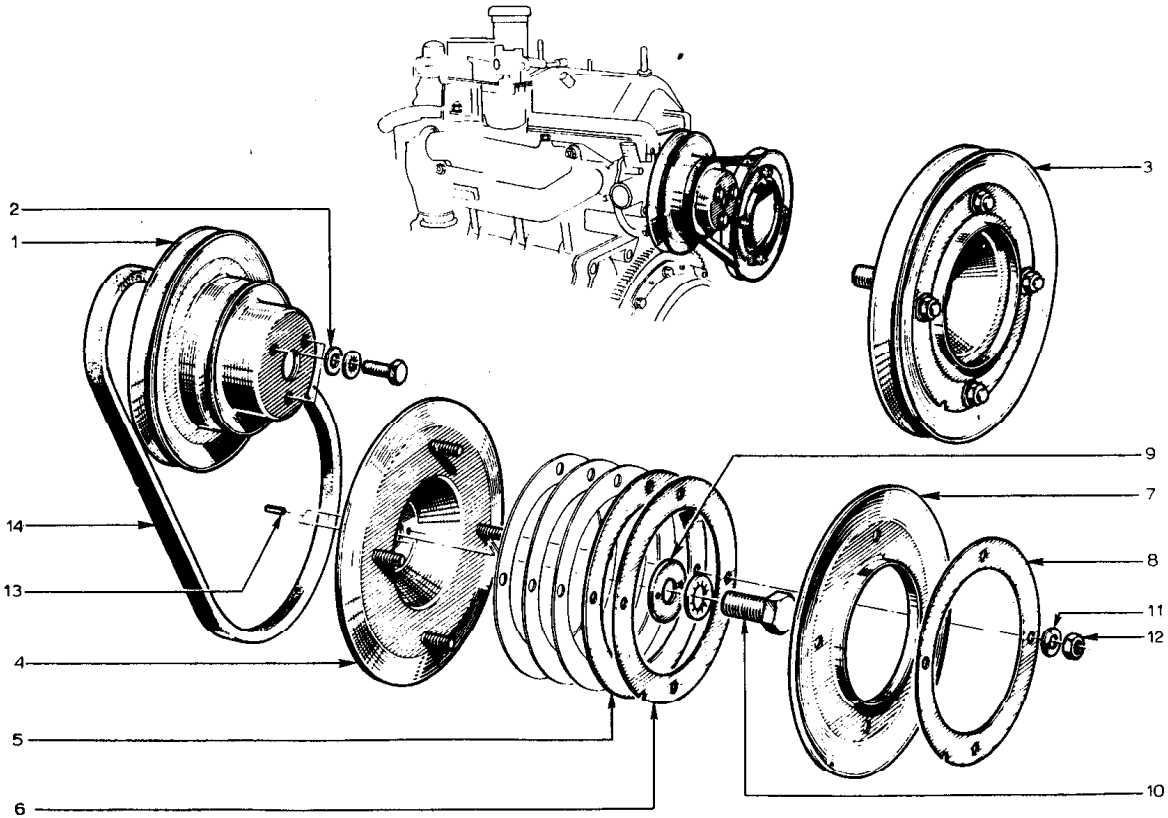


PLATE Ref. No.	PART No.	QUANTITY					STEERING		DESCRIPTION	CHANGE POINT	BULLETIN REFERENCE
		ALL	S1.	S1. Mk 1	S2.	S2. Fed.	RH	LH			
	A054 E 6073	1							Locating washer (697-04) (821-30)	From Engine No. 1067 From Engine No. 0001	
EQ. 10	046 E 6311	1							Bolt) Washer) Pulley to camshaft		
	A046 W 6048	1									
EQ. 11	046 E 6309	4							'Dished' washer) Nut) Pulley retaining		
EQ. 12	046 E 6310	4									
EQ. 13	046 E 6301	2							Dowel pin (697-04) - replaced by A054 E 6071 together with 1 off A054 E 6072 Locating Washer	Upto Engine No. 1066	
	A054 E 6072	2							Dowel pin (697-04) (821-30)	From Engine No. 1067 From Engine No. 0001	
EQ. 14	046 E 6300	1							Drive belt - water pump		

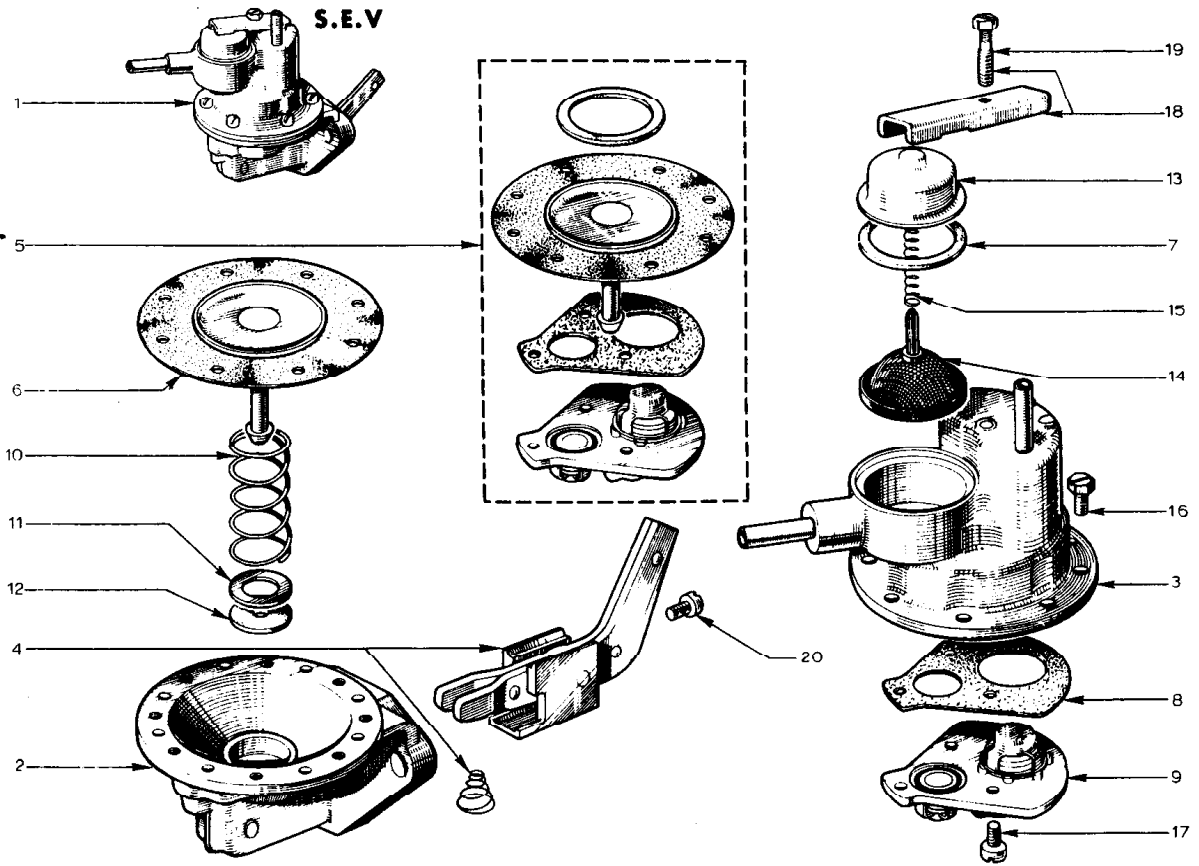


PLATE Ref: No.	PART No.	QUANTITY					STEERING		DESCRIPTION	CHANGE POINT	BULLETIN REFERENCE
		ALL	SI.	SI. Mk 1	S2:	S2. Fed.	RH	LH			
ER.1.	A054 E 6075	1							From Chassis No. 2520 1178		
	A065 E 6000	1						Fuel Pump (replaced by A065 E 6000) Fuel Pump			
ER.2.	046 E 6320	1	1	1				Housing - lower (697-04)			
	A054 E 6076					1		Housing - lower (821-30)			
ER.3.	046 E 6329	1	1	1				Housing - upper (697-04)			
	A054 E 6078					1		Housing - upper (821-30)			
ER.4.	046 E 6319	1	1	1				Lever Assembly - with spring (697-04)			
	A054 E 6080					1		Lever Assembly - with spring (821-30)			
ED.5.	046 E 6314	1	1	1				Repair Kit (697-04)			
	A054 E 6081					1		Repair Kit (821-30)			
ED.6.	046 E 6315	1	1	1				Diaphragm (697-04)			
	A054 E 6083					1		Diaphragm (821-30)			
ED.7.	046 E 6324	1						Gasket - filter bowl			
ER.8.	046 E 6331	1						Gasket - housing to valve assembly			
ER.9.	046 E 6332	1						Valve Assembly			
ER.10.	046 E 6316	1	1	1				Spring - diaphragm (697-04)			
	A054 E 6085					1		Spring - diaphragm (821-30)			
ER.11.	046 E 6317	1	1	1				Washer - diaphragm spring (697-04)			
	A054 E 6087					1		Washer - diaphragm spring (821-30)			
ER.12.	046 E 6318	1	1	1				Washer - diaphragm spring seat (697-04)			
	A054 E 6086					1		Washer - diaphragm spring seat (821-30)			
ED.13.	046 E 6324	1						Cover			
ER.14.	046 E 6327	1						Filter			
ER.15.	046 E 6326	1						Spring - fuel filter			
ER.16.	046 E 6328	8						Screw - upper housing to lower housing			
ER.17.	046 E 6328	2						Screw - valve assembly to upper housing			
ER.18.	046 E 6323	1						Clamp - filter cover			

S.E.V

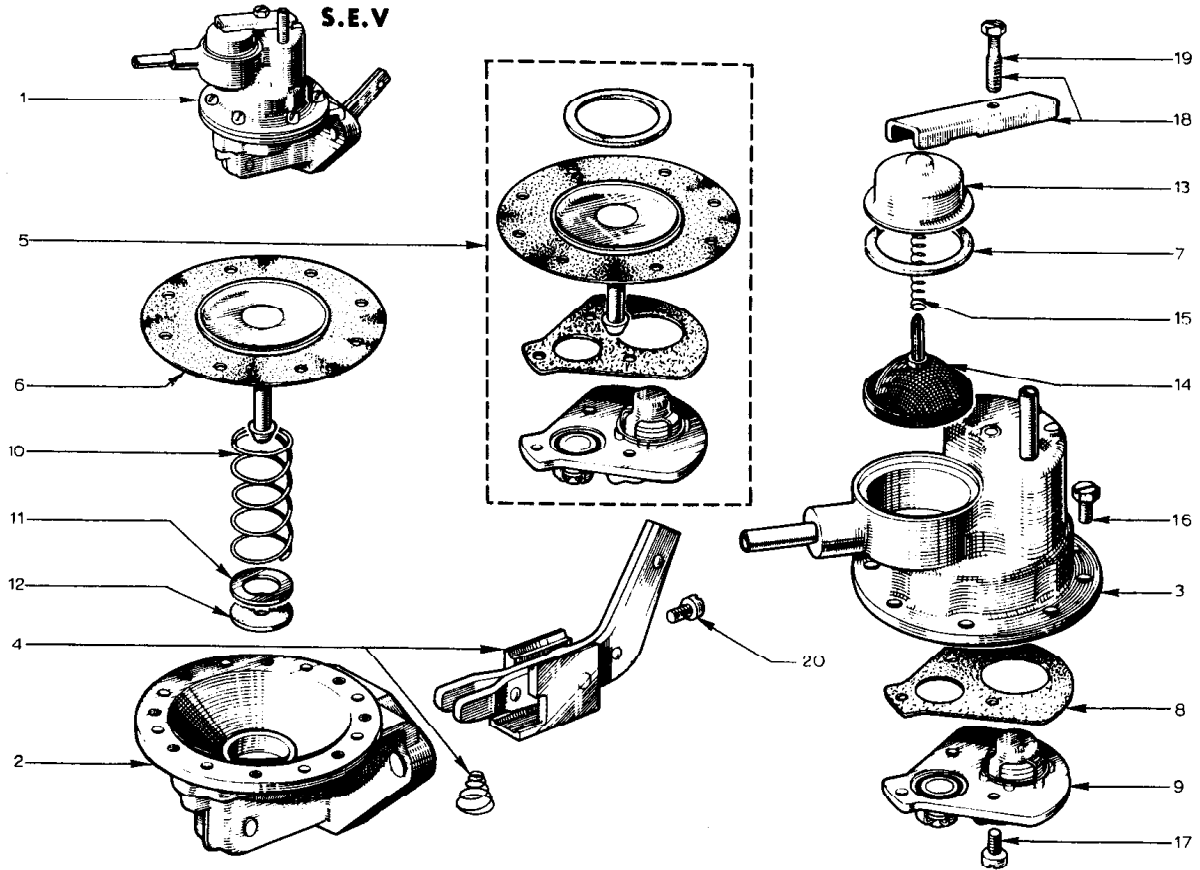


PLATE Ref: No.	PART No.	QUANTITY					STEERING		DESCRIPTION	CHANGE POINT	BULLETIN REFERENCE
		ALL	ST.	ST. Mk 1	S2.	S2. Fed.	RH	LH			
		ER.19.	046 E 6322	1							
ER.20.	046 E 6330	1						Screw - lever to housing			

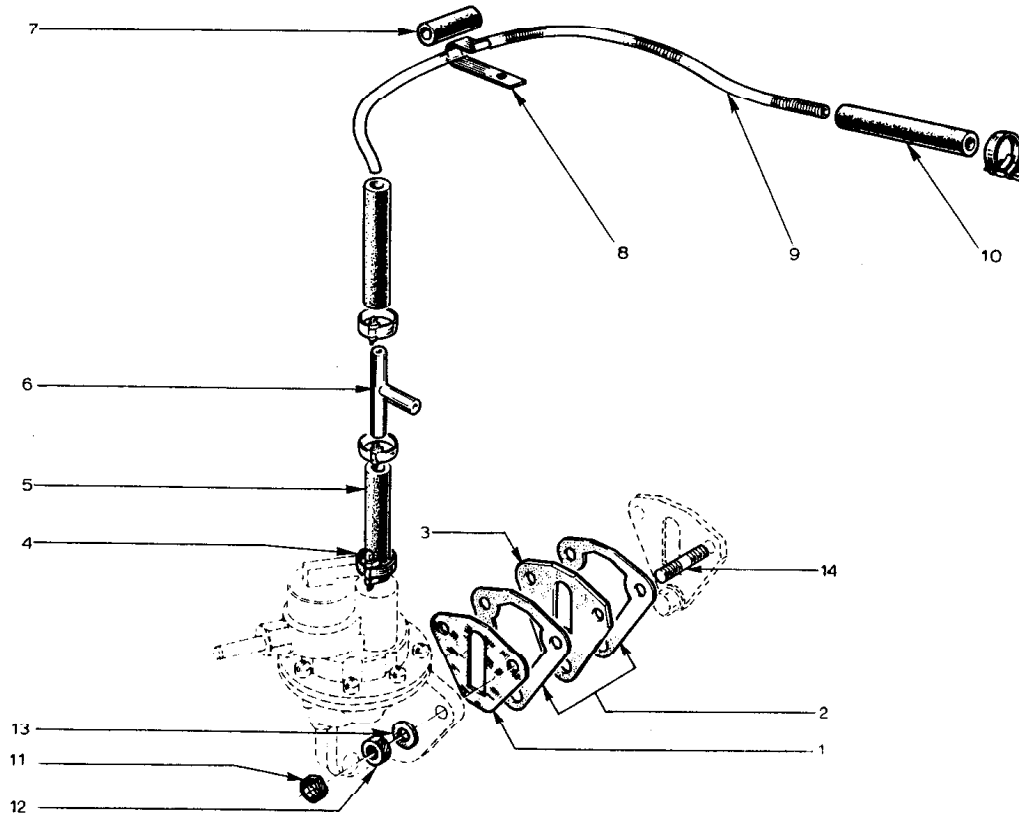


PLATE Ref. No.	PART No.	QUANTITY					STEERING		DESCRIPTION	CHANGE POINT	BULLETIN REFERENCE
		ALL	ST.	ST. Mk 1	S2.	S2. Fed.	RH	LH			
	046 E 6334		1	1	1						
ES.1.	A046 E 6490		1	1	1			Gasket - Fuel Pump Mounting (replaced by A046 E 6490)			
ES.2.	A054 E 6050							Gasket - Fuel Pump Mounting			
	A054 E 6050		1	1	1			Gasket - Fuel Pump Mounting (821-30)			
ES.3.	046 E 6015	1						Gasket - Fuel Pump Mounting (69704)			
ES.4.	046 E 6342	4						Gasket - Fuel Pump Mounting.			
ES.5.	046 E 6338	1						Clip - Fuel Line)			
ES.6.	A046 E 6491		1	1	1			Hose - Pump Connection to Fuel Line)			
	A046 E 6492	1						Three-way Connection (697-04) replaced by A046 E 6492 after exhausting old stock)	To Chassis No. 2519 and 1177		
ES.7.	046 E 6340	1						Three -Way Connection			
ES.8.	046 E 6337	1						Sleeve, 25 mm. long			
ES.9.	046 E 6343		1	1	1			Clip - Fuel Line Support			
	A854 E 6090							Fuel Line - Pump to Carburettor)	To Chassis No. 2519 and 1177		
	A065 E 6001							Fuel Line - Pump to Carburettor)	From Chassis No. 2520 and 1178		
ES.10.	A046 E 6493	2						Fuel Line - Pump to Carburettor			
								Hose - Fuel Line to 'T' Piece			
								Fuel Line to Carburettor			
ES.11.	046 E 6344	2						Lock Nut)			
ES.12.	046 E 6339	2						Nut) Fuel Pump to			
ES.13.	046 E 6336	2						Washer) Cylinder Block			
ES.14.	A046 E 6496	2						Stud)			

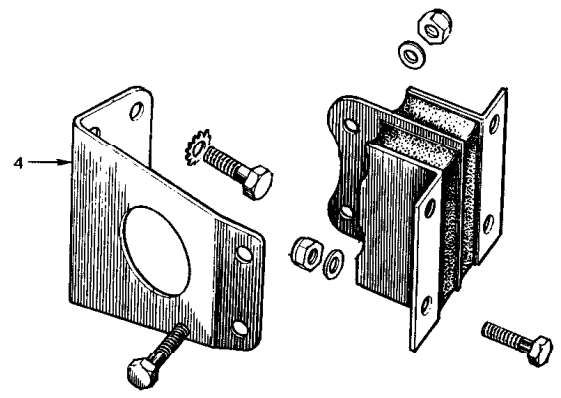
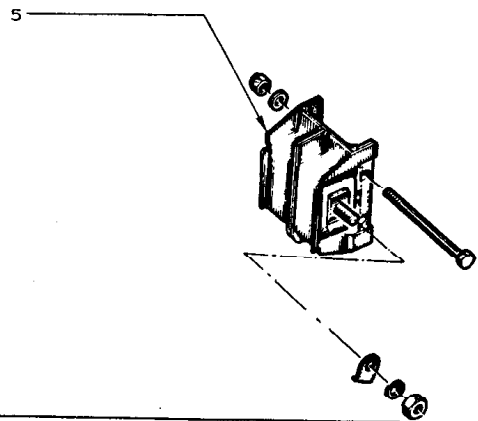
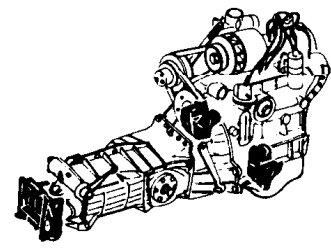
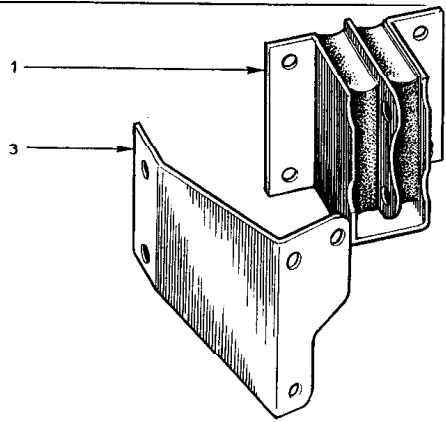
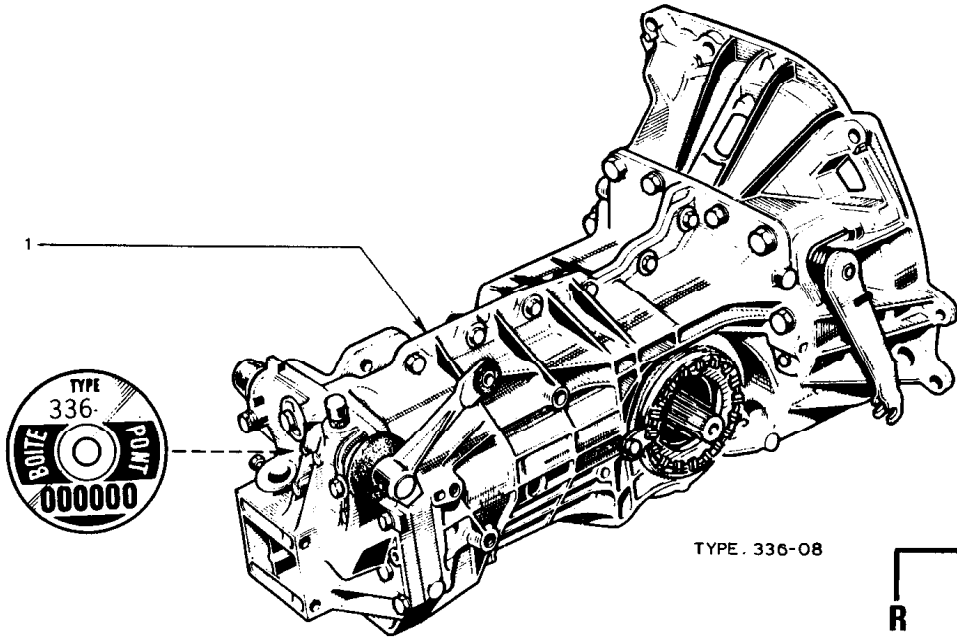
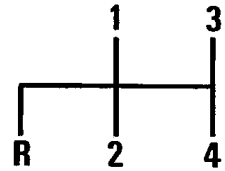


PLATE Ref: No.	PART No.	QUANTITY					STEERING		DESCRIPTION	CHANGE POINT	BULLETIN REFERENCE
		ALL	S1.	S1. Mk 1	S2.	S2. Fed.	RH	LH			
ET.1	026 E 0374	2								Service III 1969/27	
	054 E 6000	2						Engine Mounting replaced by 054 E 6000			
	XUFS 0612	4						Engine Mounting			
	YUFN 060F	4						Bolt)			
	A06 W 1207	4						Nut) Engine Mounting to Bracket			
								Washer)			
	XUFS 0512	8						Bolt)			
	YUFN 050F	8						Nut) Engine Mounting to Chassis			
	A05 W 1007	8						Washer)			
ET.3	046 E 0377	1						Mounting Bracket LH			
ET.4	046 E 0378	1						Mounting Bracket RH			
	046 E 6460	4						Bolt - Upper 8 x 25 mm.)			
	046 E 6461	2						Bolt - Lower 10 x 30 mm.) Mounting Bracket			
	A046 W 6114	4						Washer - 8 mm.) to Engine			
	046 E 6456	2						Washer - 10 mm.)			
ET.5	046 F 6146	1						Gear Box Mounting (697-04)	Upto Engine No.		
	A046 P 6195	1						Gear Box Mounting (697-04)	From Engine No.		
								(821-30)	From Engine No. 0001		
	046 E 6462	2						Bolt - 8 x 100 mm.) Gear Box Mounting			
	A046 W 6105	2						Nut) to Gear Box.			
	A046 W 6002	2						Washer)			



TYPE . 336-08



TYPE. 336-26
336-46
336-56

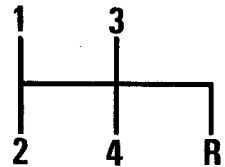


PLATE Ref: No.	PART No.	QUANTITY					STEERING		DESCRIPTION	CHANGE POINT	BULLETIN REFERENCE
		ALL	ST.	ST. Mk 1	S2.	S2. Fed.	RH	LH			
RA.1.	046 P 0723		1	1					Gearbox (Type 336.08)	Upto Eng. No. 0319 excluding 283 & 304 From Eng. No. 0320 including 283 & 304 From Eng. No. to From Eng. No. 0001 to From Eng. No. From Eng. No.	1967/71
	A046 P 0723			1				Gearbox (Type 336.26)			
	054 P 0723				1	1		Gearbox (Type 336.46) (697-04) (821-30)			
	A054 P 0723				1	1		Gearbox (Type 336.56) (697-04) (821-30)			

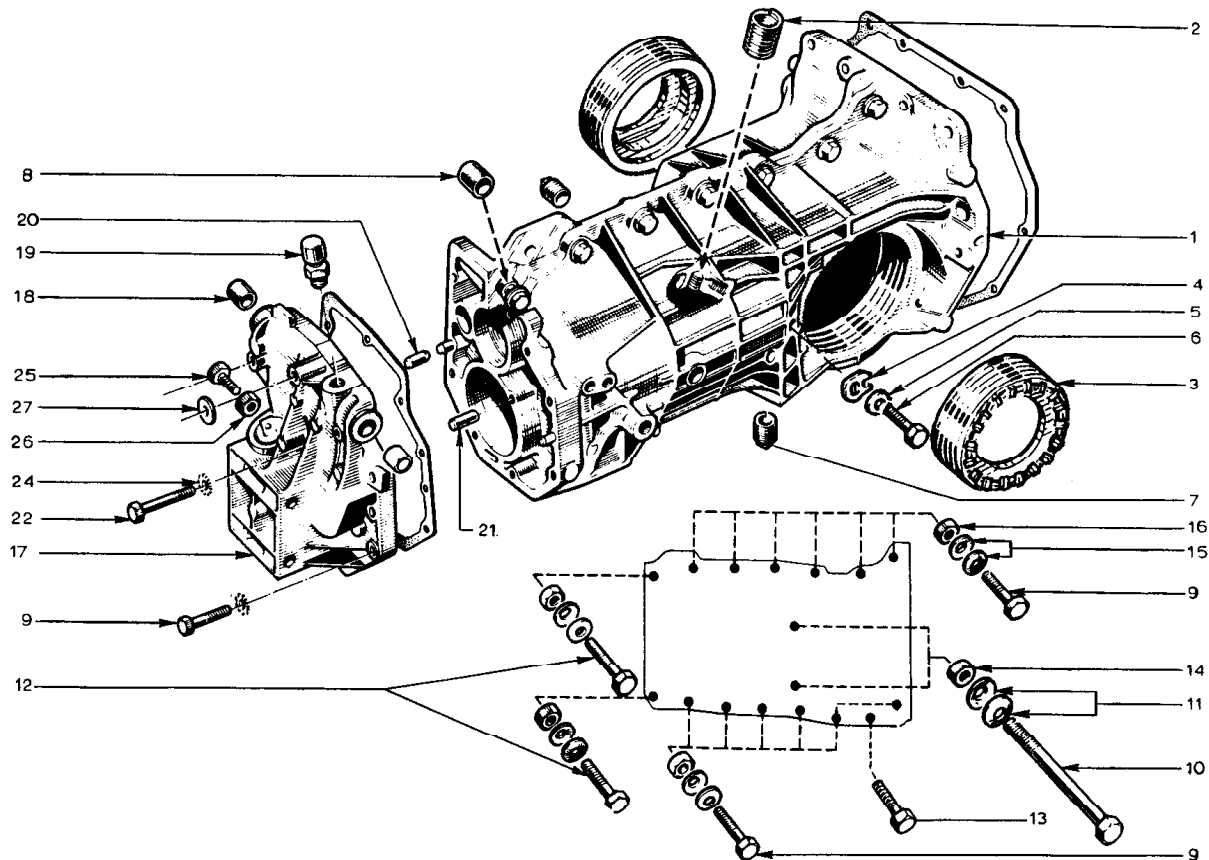


PLATE Ref: No.	PART No.	QUANTITY					STEERING		DESCRIPTION	CHANGE POINT	BULLETIN REFERENCE
		ALL	SI.	SI. Mk 1	S2.	S2. Fed.	RH	LH			
FB.1.	046 F 6014	-							Replaced by 046 F 6014A		
	046 F 6014A	1							Gearbox Casing (697-04)	Upto Chassis No.	
	A046 F 6014	1							Gearbox Casing (Type 336-46)	From Chassis No. to	
	B046 F 6014	1							Gearbox Casing (Type 336-56)	From Chassis No.	
FB.2.	046 F 6013	1							Helicoil		
FB.3.	046 F 6001	2							Nut - Bearing Retaining		
FB.4.	046 F 6015	2							Lock Tab)		
FB.5.	A046 W 6083	2							Washer) Bearing Retaining Nut		
FB.6.	A046 W 6019	2							Bolt)		
FB.7.	046 F 6002	2							Plug - Oil Drain/Oil Level		
FB.8.	046 F 6003	2							Spacer		
FB.9.	A046 W 6086	17							Bolt - 7 x 30		
FB.10.	A046 W 6088	2							Bolt - 8 x 112		
FB.11.	A046 W 6091	4							Washer		
FB.12.	A046 W 6090	2							Bolt - 7 x 40		
FB.13.	A046 W 6089	1							Bolt - 7 x 35		
FB.14.	A046 W 6087	2							Nut		
FB.15.	A046 W 6085	30							Washer		
FB.16.	A046 W 6084	15							Nut		
FB.17.	046 F 6008	1							Rear Gearbox Casing (697-04)	Upto Engine No. 0319 including 0283 & 0304	
	A046 F 6008	1							Rear Gearbox Casing (697-04) (821-30)	From Engine No. 0320 excluding 0283 & 0304 From Engine No. 0001	

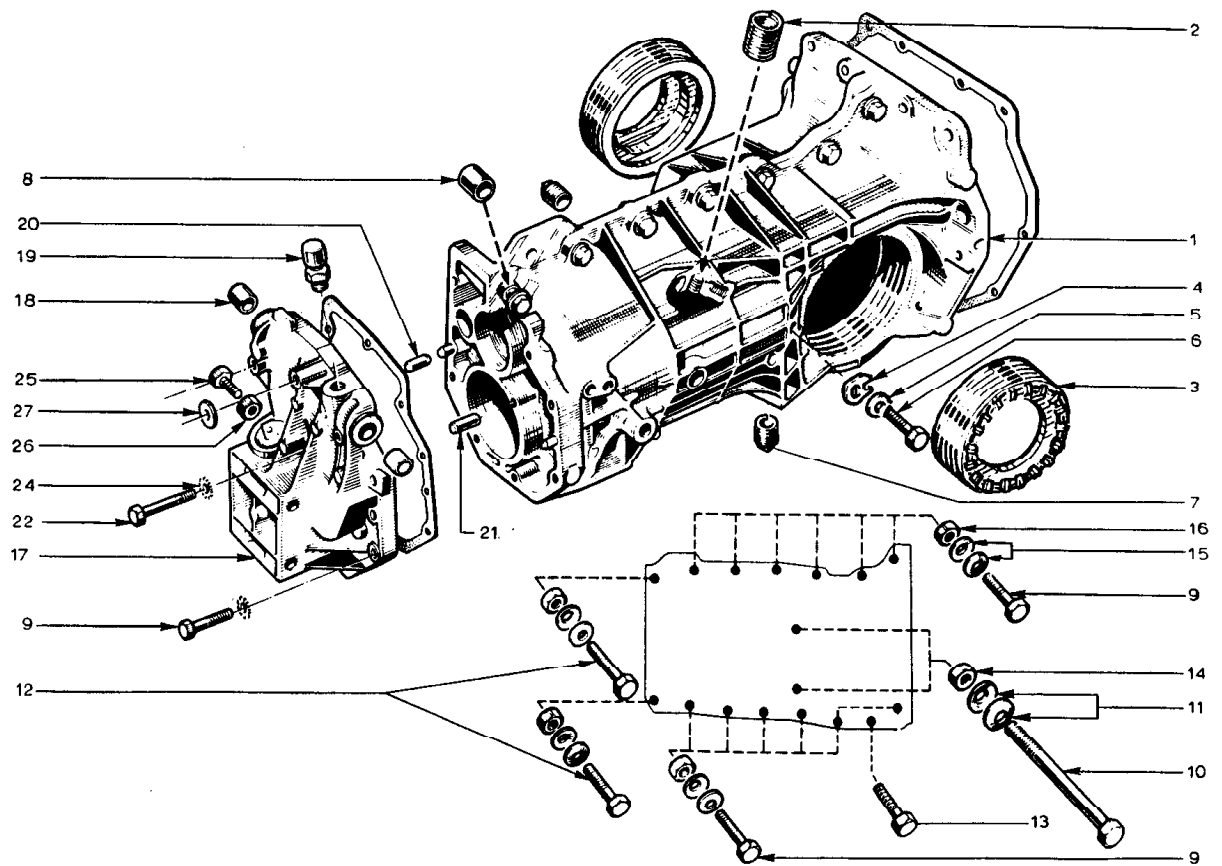


PLATE Ref: No.	PART No.	QUANTITY					STEERING		DESCRIPTION	CHANGE POINT	BULLETIN REFERENCE
		ALL	S1.	S1. Mk 1	S2.	S2. Fed.	RH	LH			
FB. 18.	046 F 6006		2	2	2				Bush (697-04)		
	046 F 6006					1			Bush)		
	A046 F 6006					1) (821-30)		
FB. 19.	046 F 6005								Breather		
FB. 20.	046 F 6004		2						Dowel Pin		
FB. 21.	046 F 6009		1						Dowel Pin		
FB. 22.	A046 W 6092		3						Bolt 7 x 50		
FB. 24.	A046 W 6093		8						Washer		
FB. 25.	A046 W 6095		1						Bolt		
FB. 26.	A046 W 6094		1						Nut		
FB. 27.	A046 W 6036		1						Washer		
	046 F 6177		1						Gasket Set		

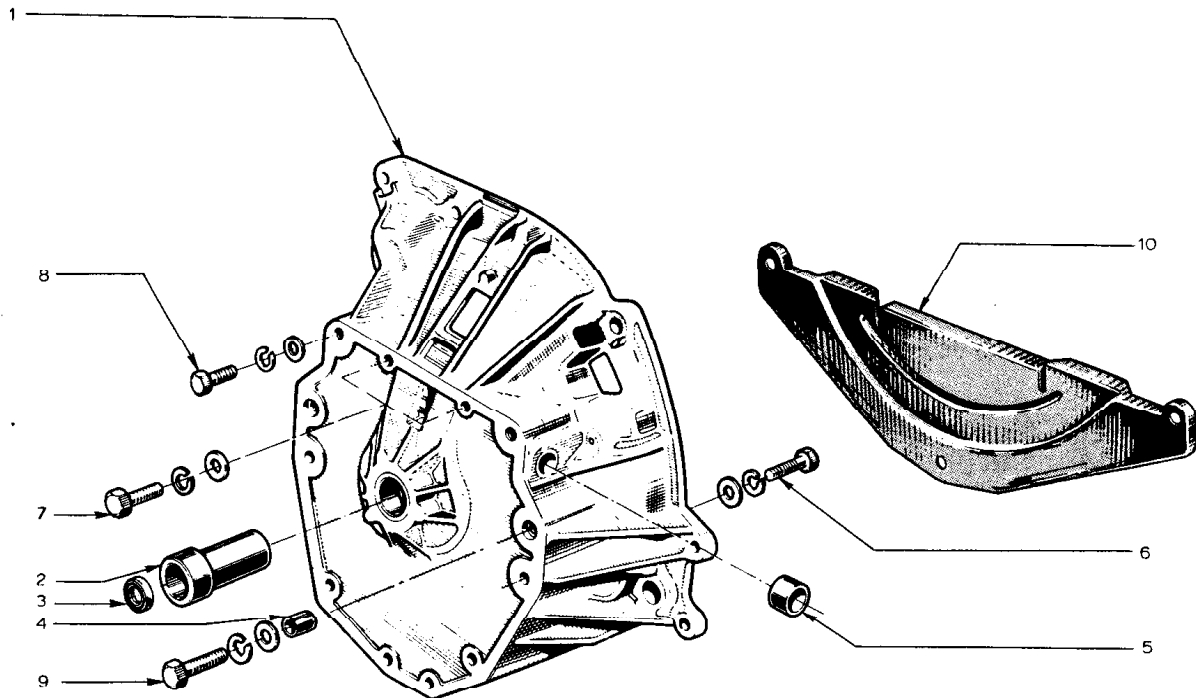


PLATE Ref. No.	PART No.	QUANTITY					STEERING		DESCRIPTION	CHANGE POINT	BULLETIN REFERENCE
		ALL	Sl.	Sl. Mk 1	S2.	S2. Fed.	RH	LH			
FC.1.	046 F 6020	1							Bell Housing (697-04) (Type 336-26)	Up to Engine No. Up to Gearbox No. 0420	
	A046 F 6020	1							Replaced by A046 F 6020 together with: 3 off A046 W 6116 Bolt Ball Housing (Type 336-26) (Type 336-46)	From Chassis No. From Gearbox No. 0421 From Gearbox No. 0001	
FC.2.	046 F 6021	1							Seal Carrier		
FC.3.	046 F 6022	1	1	1					Seal (697-04)		
	A046 F 6022				1				Seal (821-30)		
FC.4.	046 F 6023	2							Bushing		
FC.5.	046 F 6024	2							Bushing - Cross Shaft		
FC.6.	A046 W 6081	6							Bolt 8 x 30		
FC.7.	A046 W 6098	2							Bolt 8 x 25		
	A046 W 6018	8							Spring Washer		
	A046 W 6002	8							Washer		
FC.8.	A046 W 6097	2							Bolt 10 x 35		
FC.9.	A046 W 6009	2							Bolt 10 x 45		
	A046 W 6009	4							Spring Washer		
	A046 W 6010	4							Washer		
	A046 F 6196				2				Plug		
	A046 F 6196					2			(Type 336-26) Plug	From Gearbox No. 0421	
FC.10.	A046 F 6200	1							(Type 336-46) Dirt Shield	From Gearbox No. 0066	

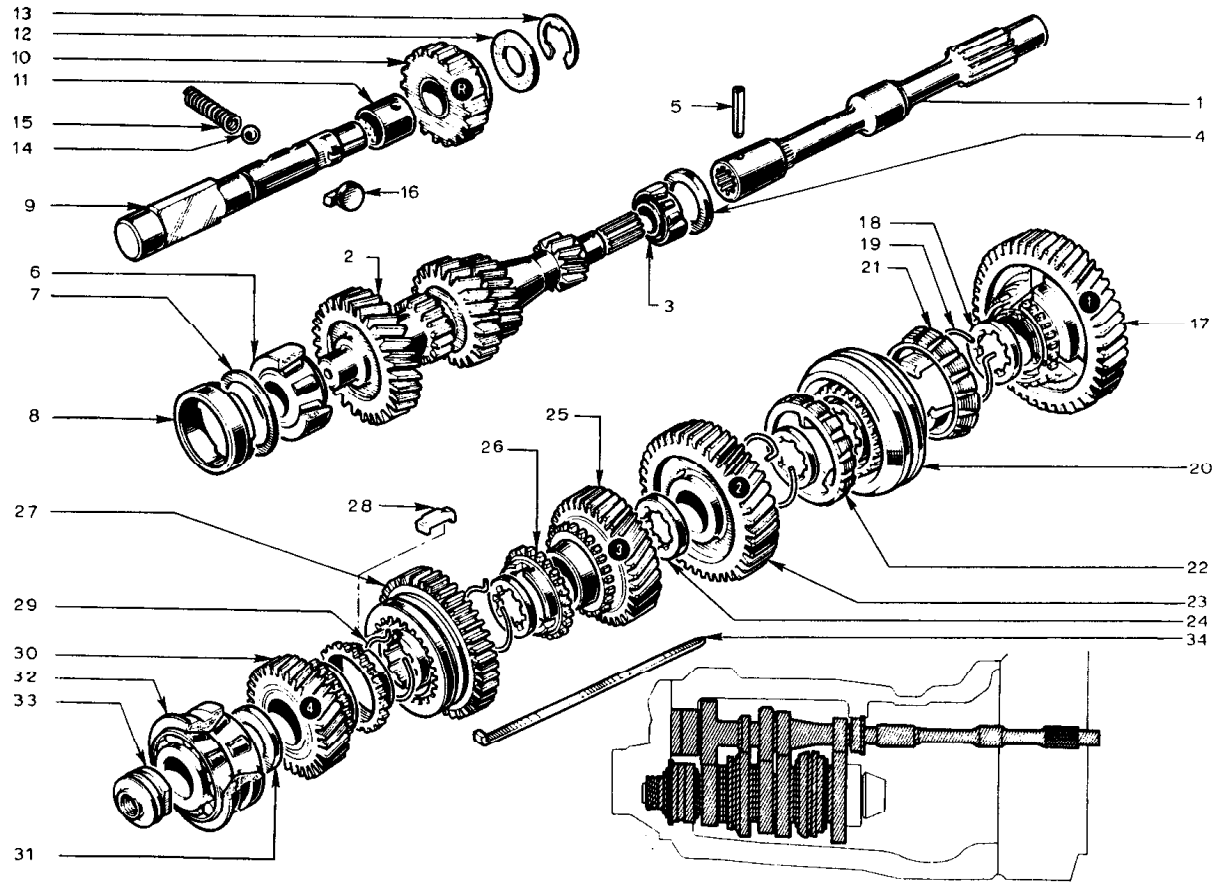


PLATE Ref: No.	PART No.	QUANTITY					STEERING		DESCRIPTION	CHANGE POINT	BULLETIN REFERENCE
		ALL	SI.	SI. Mk 1	S2.	S2. Fed.	RH	LH			
FD.1.	046 F 6050	1							Drive Shaft		
FD.2.	046 F 6034	1							Primary Shaft (Type 336-08, 336-26 & 336-46)		
	A046 F 6034	1							Primary Shaft (Type 336-56)		
FD.3.	046 F 6051								Bearing - Primary Shaft		
FD.4.	046 F 6082	AR							Shim 2.00 mm.)		
	046 F 6083	AR							Shim 2.25 mm.)		
	046 F 6084	AR							Shim 2.50 mm.)		
	046 F 6085	AR							Shim 2.75 mm.)	Optional	
	046 F 6086	AR							Shim 3.00 mm.)		
	046 F 6087	AR							Shim 3.25 mm.)		
	046 F 6088	AR							Shim 3.50 mm.)		
	046 F 6089	AR							Shim 3.75 mm.)		
	046 F 6090	AR							Shim 4.00 mm.)		
FD.5.	046 F 6033	1							Tension Pin		
FD.6.	046 F 6035	1							Bearing - Primary Shaft		
FD.7.	046 F 6077	AR							Shim - 0.10 mm.)		
	046 F 6078	AR							Shim - 0.20 mm.)		
	046 F 6079	AR							Shim - 0.25 mm.)	Optional	
	046 F 6080	AR							Shim - 0.50 mm.)		
	046 F 6081	AR							Shim - 1.00 mm.)		
FD.8.	046 F 6036	1							Retaining Ring		
FD.9.	046 F 6031	1							Shaft - Reverse Gear (Type 336-08, 336-26 & 336-46)		
	A046 F 6031	1							Shaft - Reverse Gear (Type 336-56)		
FD.10.	046 F 6027	1							Reverse Gear		
03.70											

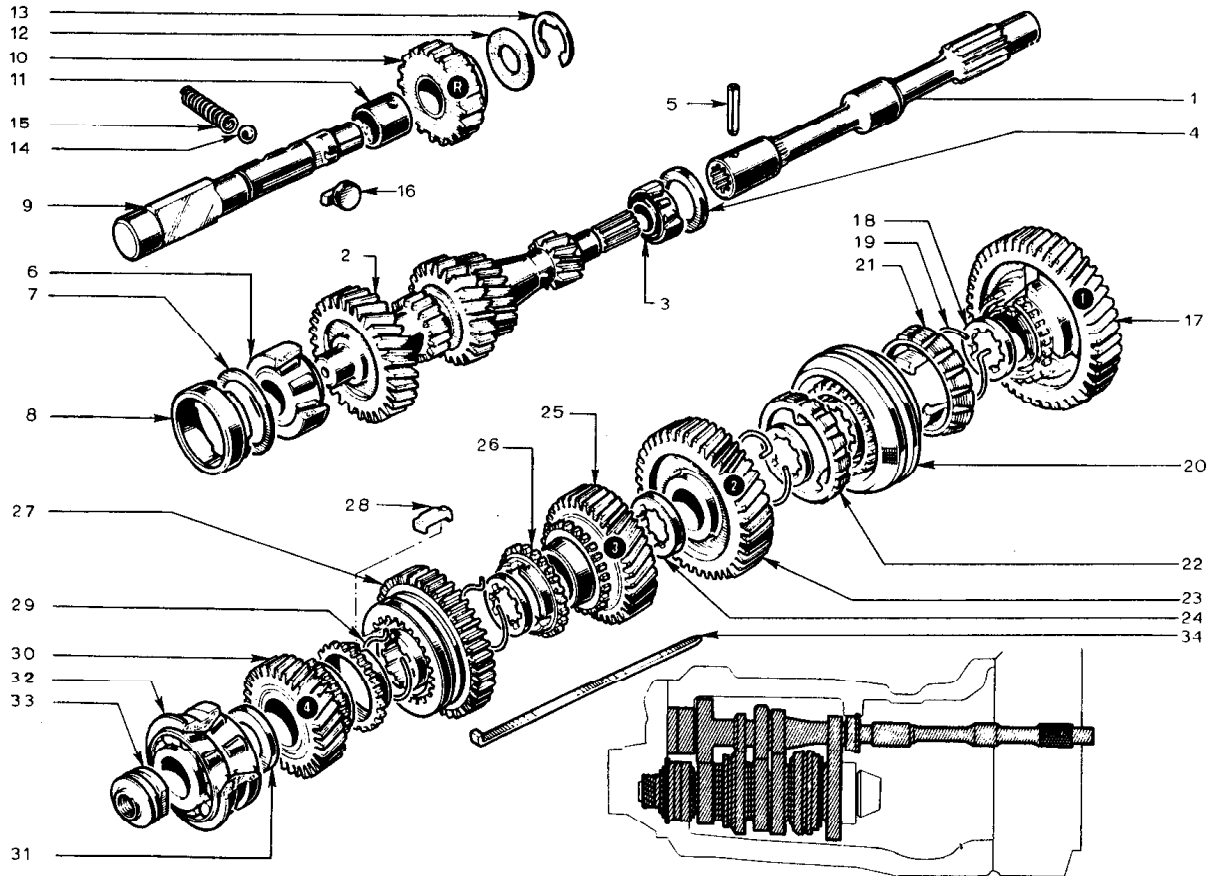


PLATE Ref: No.	PART No.	QUANTITY					STEERING		DESCRIPTION	CHANGE POINT	BULLETIN REFERENCE
		ALL	SI.	SI. Mk 1	S2.	S2. Fed.	RH	LH			
FD.11.	046 F 6028	1							Bush - Reverse Gear		
FD.12.	046 F 6026	1							Thrust Washer		
FD.13.	046 F 6025	1							Circlip		
FD.14.	046 F 6030		1	1	1				Selector Ball - 8 mm. - Reverse Gear Shaft (Type 336-08, 336-26 & 336-46)		
	A046 F 6030				1	1			Selector Ball - 10 mm. - Reverse Gear Shaft (Type 336-56)		
FD.15.	046 F 6029		1	1	1				Selector Spring (Type 336-08, 336-26 & 336-46)		
	A046 F 6029				1	1			Selector Spring (Type 336-56)		
FD.16.	046 F 6032		1	1	1				Guide (Type 336-08, 336-26 & 336-46)		
	A046 F 6032				1	1			Guide (Type 336-56)		
FD.17	046 F 6053	1							Gear - 1st. Speed	Upto Engine No.	
	A046 F 6053	1							Gear - 1st. Speed	From Engine No.	
FD.18.	046 F 6038	3							Thrust Washer		
FD.19.	046 F 6052	2							Spring Clip - Synchroniser, 1st. & 2nd. Speed		
FD.20.	046 F 6056	1							Synchroniser Hub, (Yellow) (Type 336-08, 336-26 & 336-46)		
	046 F 6058	1							Synchroniser Hub, (Yellow) (Type 336-56)		
	046 F 6057	1							Synchroniser Hub, (Blue) (Type 336-08, 336-26 & 336-46)		
	046 F 6059	1							Synchroniser Hub, (Blue) (Type 336-56)		
FD.21.	046 F 6054	1							Synchroniser Ring - 1st. Speed.		
FD.22.	046 F 6060	1							Synchroniser Ring - 2nd. Speed.		
03.70											

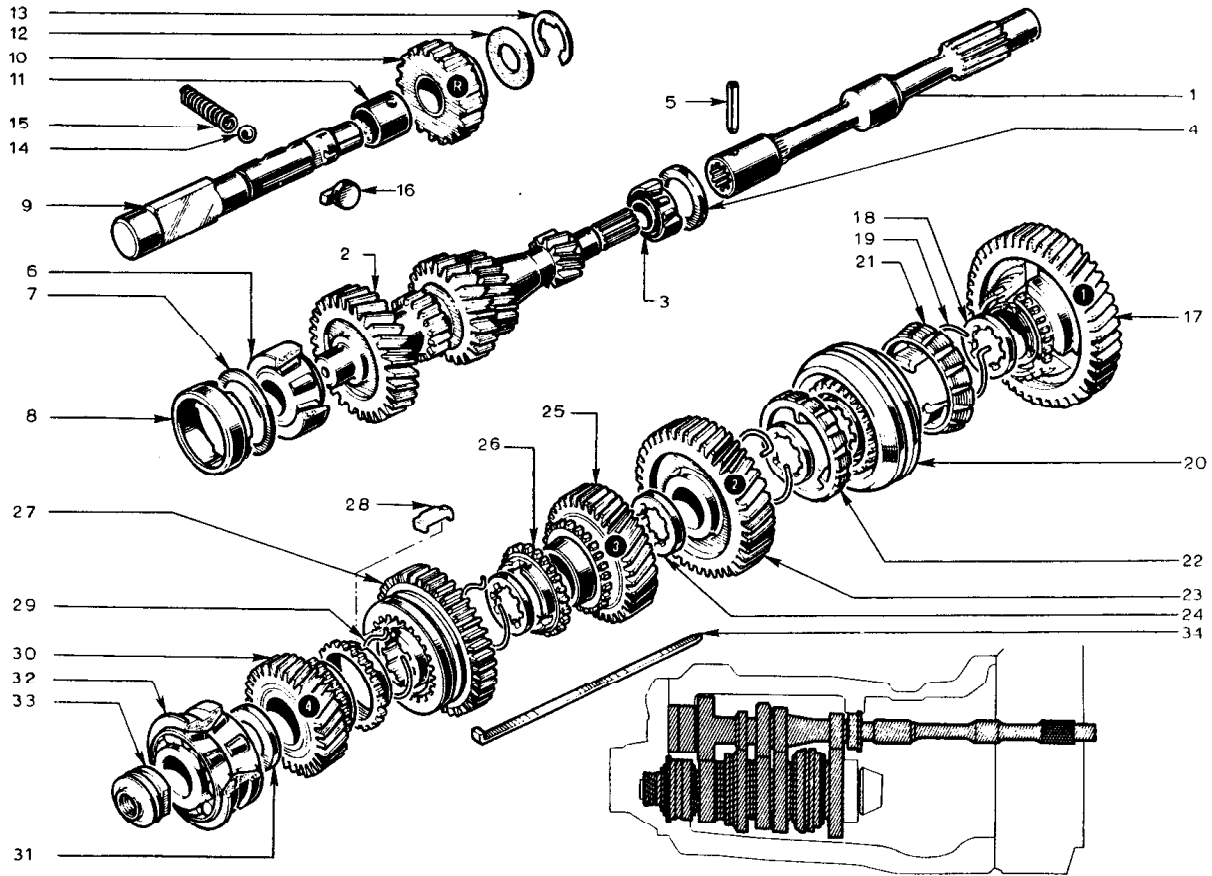


PLATE Ref. No.	PART No.	QUANTITY					STEERING		DESCRIPTION	CHANGE POINT	BULLETIN REFERENCE
		ALL	ST.	ST. Mk 1	S2.	S2. Fed.	RH	LH			
FD.23.	046 F 6061	1							Gear - 2nd. Speed (Type 336-08 & 336-26)		
	A046 F 6061	1							Gear - 2nd. Speed (Type 336-46)		
	B046 F 6061	1							Gear - 2nd. Speed - 43 teeth. (Type 336-56)		
FD.24.	046 F 6062	1							Thrust Washer		
FD.25.	046 F 6037	1							Gear - 3rd. Speed		
FD.26.	046 F 6046	2							Synchroniser Ring - 3rd. & 4th. Speed		
FD.27.	046 F 6042	1							Synchroniser, 3rd. & 4th. Speed (Yellow)		
	046 F 6043	1							Synchroniser, 3rd. & 4th. Speed (Blue)		
FD.28.	046 F 6039	3							Keys - 3rd. & 4th. Speed Synchroniser		
FD.29.	046 F 6040	2							Spring Clip - 3rd. & 4th. Speed Synchroniser	Upto Chassis No.	
	A046 F 6040	2							Spring Clip - 3rd. & 4th. Speed Synchroniser	From Chassis No.	
FD.30.	046 F 6047	1							Gear - 4th. Speed		
FD.31.	046 F 6064	AR							Shim - 3.50 mm.)		
	046 F 6065	AR							Shim - 3.55 mm.)		
	046 F 6066	AR							Shim - 3.60 mm.)		
	046 F 6067	AR							Shim - 3.65 mm.)		
	046 F 6068	AR							Shim - 3.70 mm.)		
	046 F 6069	AR							Shim - 3.75 mm.)	Optional	
	046 F 6070	AR							Shim - 3.80 mm.)		
	046 F 6071	AR							Shim - 3.85 mm.)		
	046 F 6072	AR							Shim - 3.90 mm.)		
	046 F 6073	AR							Shim - 3.95 mm.)		
	046 F 6074	AR							Shim - 4.00 mm.)		
	046 F 6075	AR							Shim - 4.05 mm.)		
	046 F 6076	AR							Shim - 4.10 mm.)		

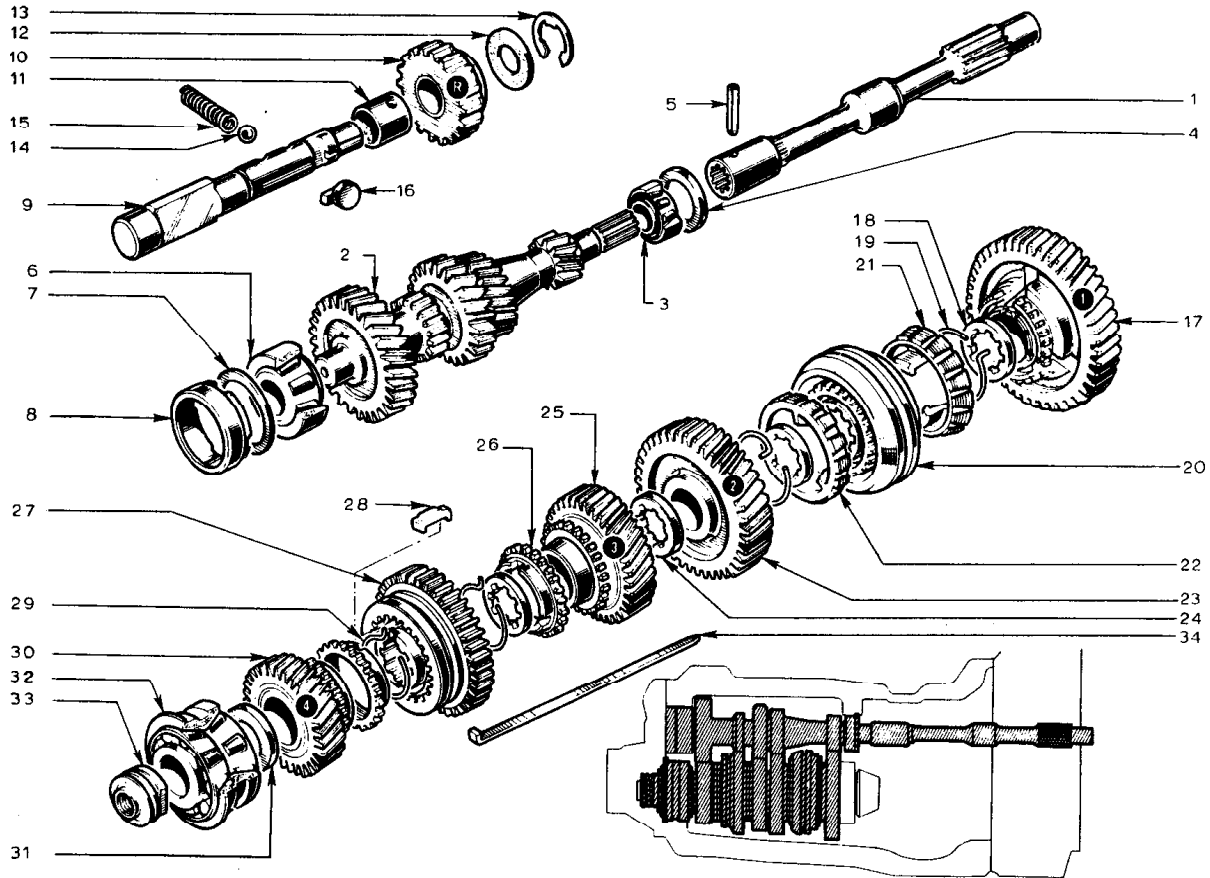


PLATE Ref: No.	PART No.	QUANTITY					STEERING		DESCRIPTION	CHANGE POINT	BULLETIN REFERENCE
		ALL	S1.	S1. Mk 1	S2.	S2. Fed.	RH	LH			
		FD. 32.	046 P 6048	1							
FD. 33.	046 P 6049	1						Bearing			
FD. 34.	046 P 6063	1						Nut - Pinion			
								Key			

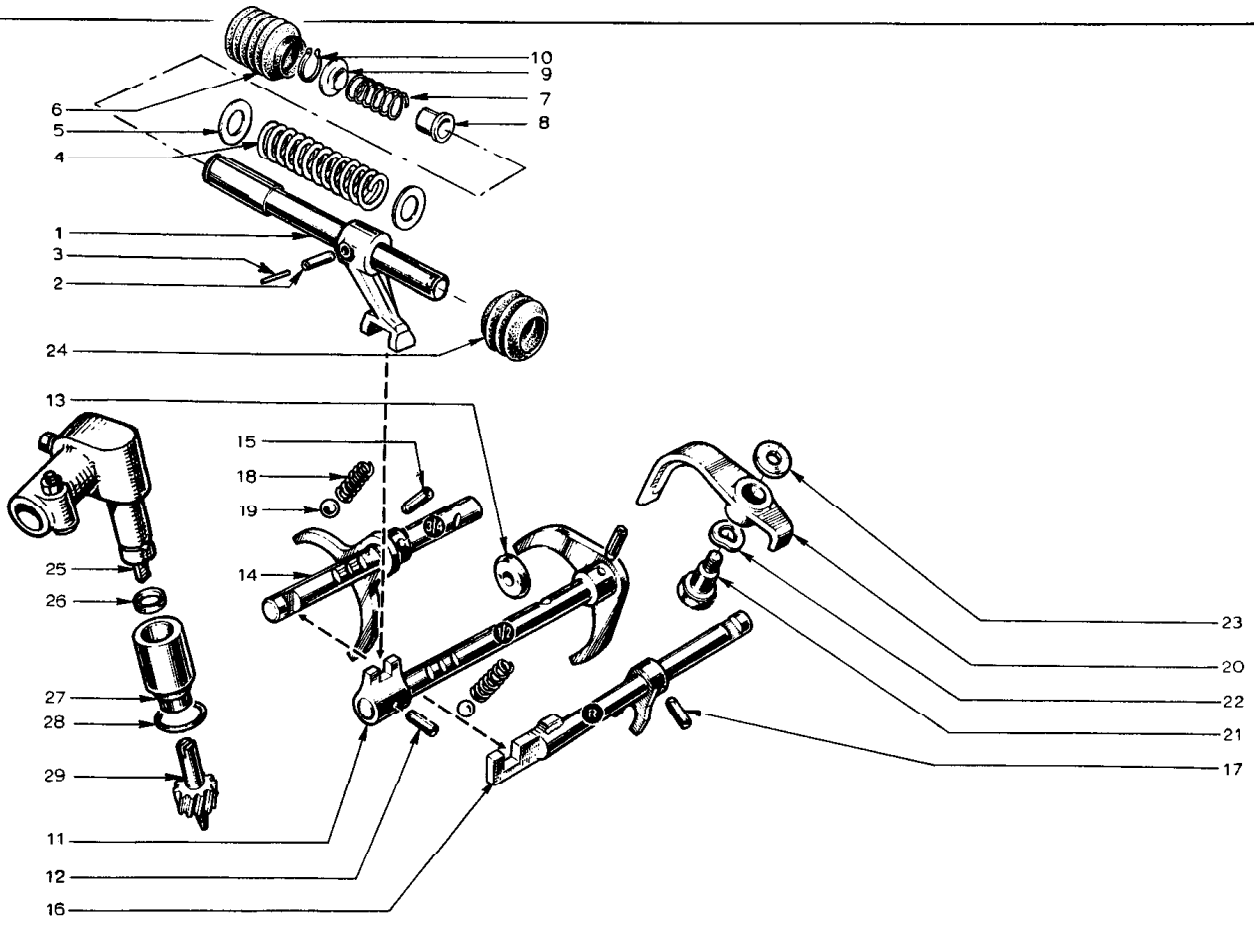


PLATE Ref: No.	PART No.	QUANTITY					STEERING		DESCRIPTION	CHANGE POINT	BULLETIN REFERENCE
		ALL	SI.	SI. Mk 1	S2.	S2. Fed.	RH	LH			
FE.1.	046 F 6095	1							Cross Shaft (697-04)	Up to Engine No. 0319 excluding 0283 & 0304	
	054 F 6005	1							Cross Shaft (607-04)		
FE.2.	046 F 6096	2							Tension Pin 7 x 25 mm - outer	Up to Engine No. From Engine No. 0320 including 0283 & 0304	
	A046 F 6096	1							Tension Pin 7 x 25 mm - outer		
FE.3.	046 F 6097	2							Tension Pin 4 x 25 mm - inner	From Engine No. Up to Engine No. 0319 excluding 0283 & 0304	
FE.4.	046 F 6094	1							Spring (697-04)		
	A046 F 6094	1							Spring	From Engine No. 0320 including 0283 & 0304	
FE.5.	046 F 6093	2							Washer (697-04)	Up to Engine No. Up to Engine No. 0319 Excluding 0283 & 0304	
	A046 F 6093	1							Washer		
FE.6.	046 F 6092	1							Rubber Boot	From Engine No. From Engine No.	
FE.7.	A065 F 0726	1							Spring - Cross Shaft		
FE.8.	A046 F 6198	1							Cup - Spring	From Engine No. Up to Engine No. 0319	
FE.9.	A046 F 6199	1							Abutment - Spring		
FE.10.	046 F 6091	1							Circclip - Cross Shaft (697-04)	From Engine No. 0320	
	A046 F 6091	1							Circclip - Cross Shaft		
FE.11.	A046 F 6109	1							Selector Shaft with fork 1st. & 2nd. speed (Type 336-08)		
	CO46 F 6109	1							Selector Shaft and fork 1st. & 2nd. speed (Type 336-46)		

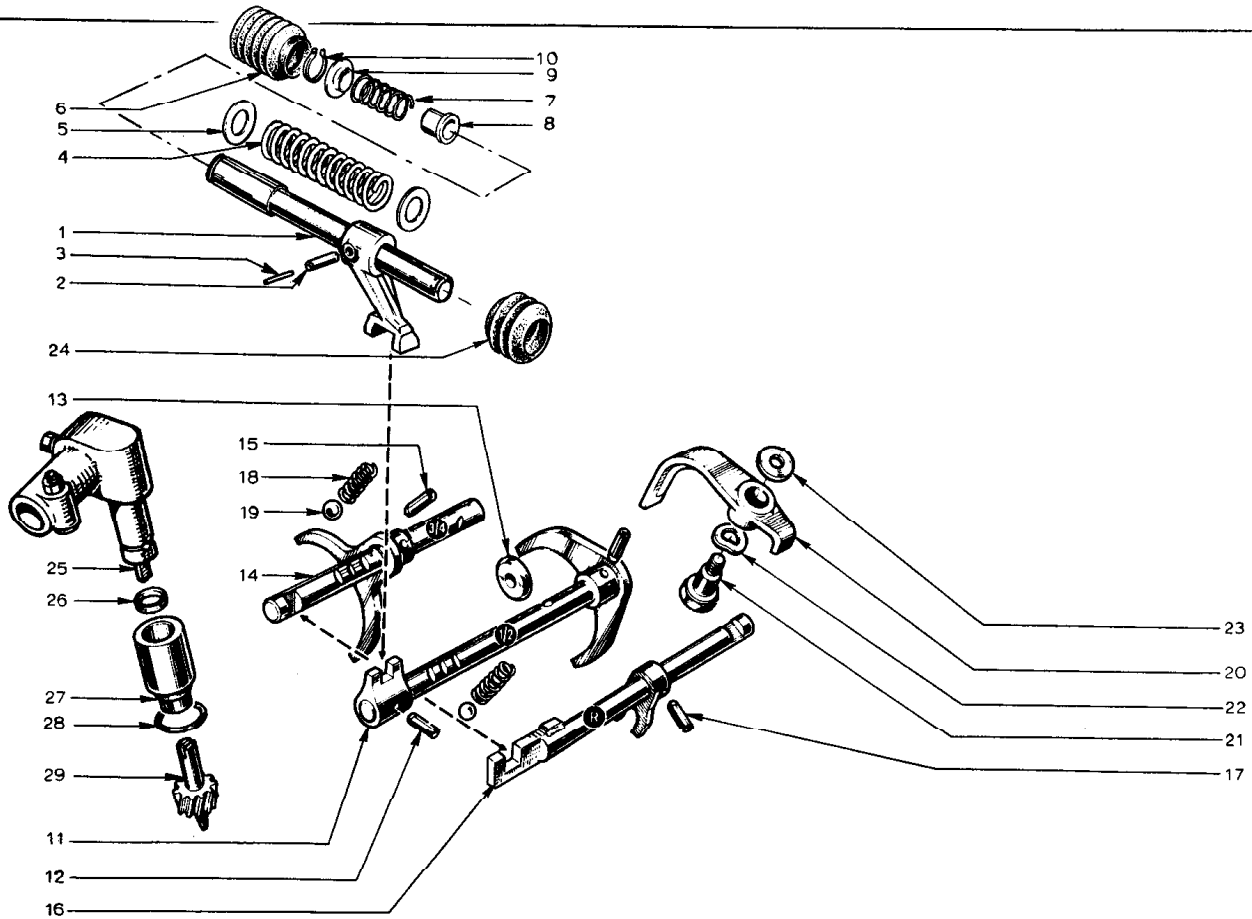


PLATE Ref: No.	PART No.	QUANTITY					STEERING		DESCRIPTION	CHANGE POINT	BULLETIN REFERENCE
		ALL	ST.	ST. Mk 1	S2.	S2. Fed.	RH	LH			
	D046 F 6109	1							Selector Shaft and folk 1st. & 2nd. speed (Type 336-56)		
FE.12.	046 F 6110	1							Tension Pin 5 x 22 mm.		
FE.13.	046 F 6100	1							Disc		
FE.14.	046 F 6103	1							Selector Shaft with folk, 3rd. & 4th. speed	Upto Engine No. 0319 excluding 0283 & 0304	
	A046 F 6103	1							Selector Shaft & folk, 3rd. & 4th. speed (Type 336-46)	From Engine No. 0320	
	B046 F 6103	1							Selector Shaft & folk 3rd. & 4th. speed (Type 336-56)		
FE.15.	046 F 6099	2							Tension Pin 5 x 20 mm.		
FE.16.	046 F 6111	1							Selector Shaft with folk - reverse	Upto Engine No. 0319 excluding 0283 & 0304	
	054 F 6006	1							Selector Shaft with folk - reverse	From Engine No. 0320 including 0283 & 0304	
	054 F 6007	1							Selector Shaft with folk - reverse (Type 336-08, 336-26 & 336-46)		
FE.17.	046 F 6123								Tension Pin		
FE.18.	046 F 6101	2							Spring - Selector Ball (Type 336-08, 336-26 & 336-46)		
	A046 F 6101	2							Spring - Selector Ball (Type 336-56)		
FE.19.	046 F 6030	2							Ball - 8 mm. Selector		
	A046 F 6030	2							Ball - 10 mm. Selector		
FE.20.	046 F 6120	1							Selector Bracket		
FE.21.	046 F 6122	1							Bolt)		
FE.22.	046 F 6121	1							Washer) Selector Fixing		
FE.23.	046 F 6119	1							Spacer Washer)		
03.70											

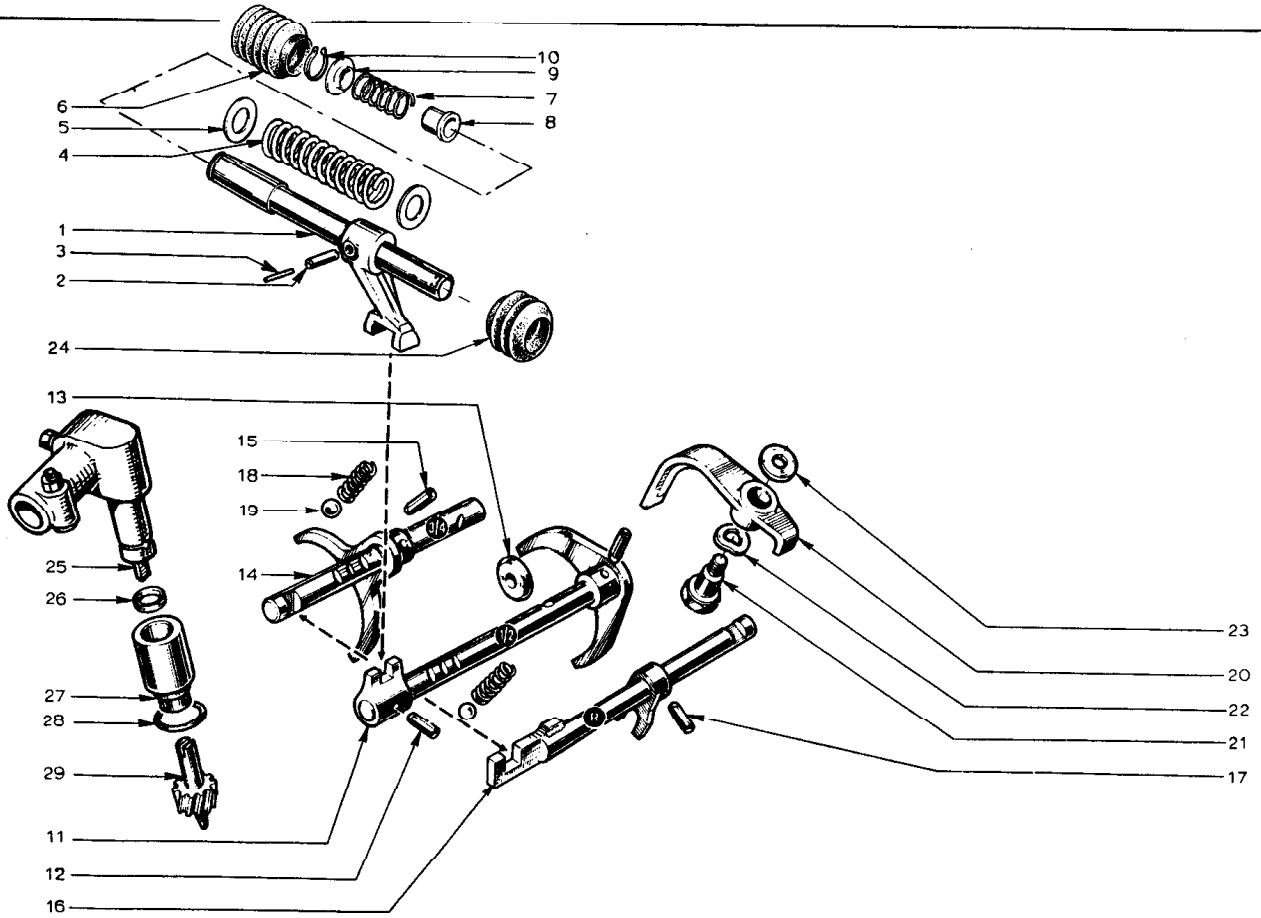


PLATE Ref: No.	PART No.	QUANTITY					STEERING		DESCRIPTION	CHANGE POINT	BULLETIN REFERENCE
		ALL	SI.	SI. Mk 1	S2.	S2. Fed.	RH	LH			
		FE.24.	046 F 6098	1							
FE.25.	046 F 6104	1						Drive Angle - Speedometer			
FE.26.	046 F 6105	1						Seal Ring - Speedometer Drive			
FE.27.	046 F 6106	1						Guide - Speedometer Drive Gear			
FE.28.	046 F 6107	1						'O' Ring - Speedometer Drive Gear Guide to Gearbox			
FE.29.	046 F 6108	1						Drive Gear - Speedometer			

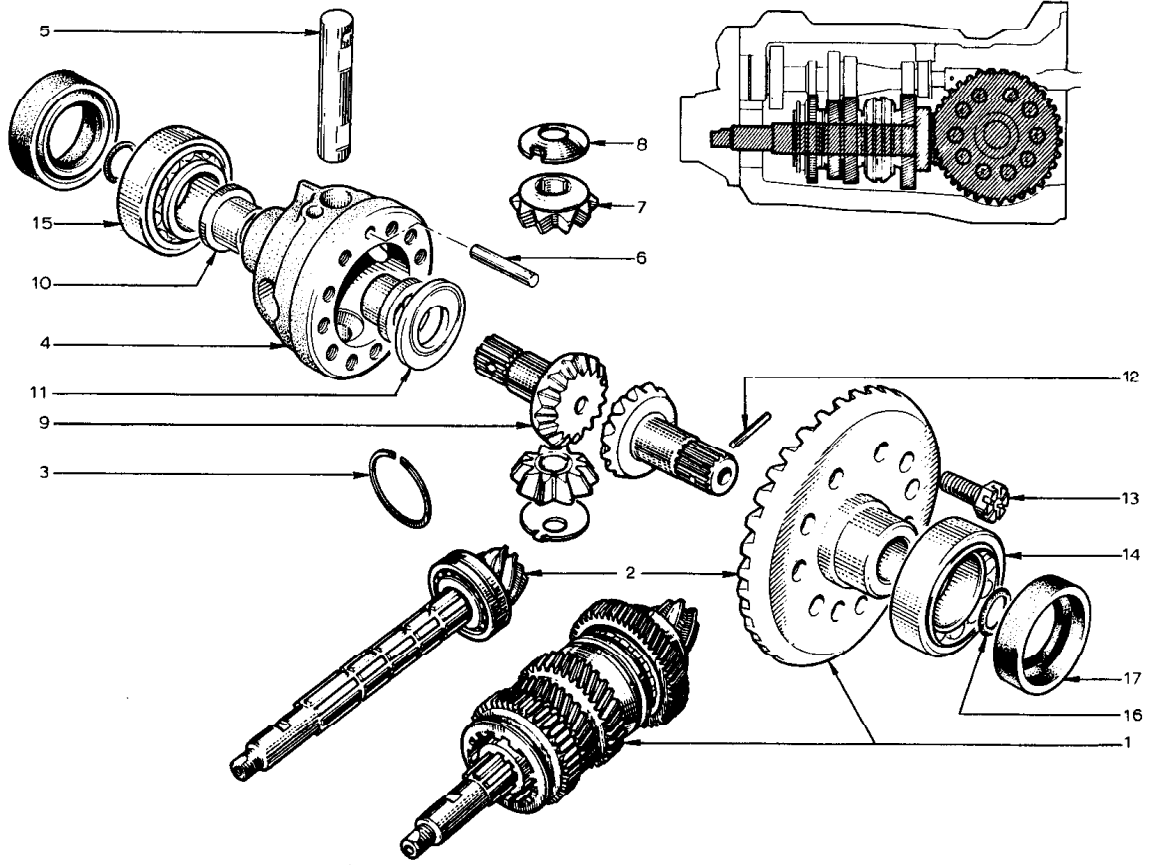


PLATE Ref: No.	PART No.	QUANTITY					STEERING		DESCRIPTION	CHANGE POINT	BULLETIN REFERENCE
		ALL	SI.	SI. Mk 1	S2.	S2. Fed.	RH	LH			
FF.1.	046 F 6143	1							Crown Wheel & Pinion with Gear Set (Type 336-08)		
	A046 F 6143	1							Crown Wheel & Pinion with Gear Set (Type 336-46)		
	B046 F 6143	1							Crown Wheel & Pinion with Gear Set (Type 336-56)		
FF.2.	046 F 6131	1							Crown Wheel & Pinion - Yellow		
	046 F 6132	1							Crown Wheel & Pinion - Blue		
FF.3.	046 F 6129	1							Circclip		
FF.4.	046 F 6127	-							Replaced by:		Upto Engine No.
	A046 F 6192	1							A046 F 6192 together with 1 off A046 F 6193 Differential Pin 1 off A046 F 6124 Tension Pin		
FF.5.	046 F 6125	1							Carrier - Crown Wheel		From Engine No.
	A046 F 6193	1							Differential Pin (697-04)		Upto Engine No.
	B046 F 6193	1							Differential Pin (697-04)		From Engine No.
FF.6.	046 F 6193	1							Differential Pin		From Engine No. to
	046 F 6124	1							Tension Pin 4 x 40 mm.		From Engine No.
FF.7.	046 F 6124	1							Tension Pin 5 x 40 mm.		Upto Engine No.
	046 F 6136	2							Star Wheel		From Engine No.
FF.8.	A046 F 6136	2							Star Wheel		Upto Engine No.
	046 F 6135	2							Shim - Star Wheel		From Engine No.
FF.9.	046 F 6138	2							Drive Shaft		
FF.10.	046 F 6137	2							Bushing - Drive Shaft		
FF.11.	046 F 6144	AR							Shim)		
	046 F 6145	AR							Shim) Optional		
03.70											

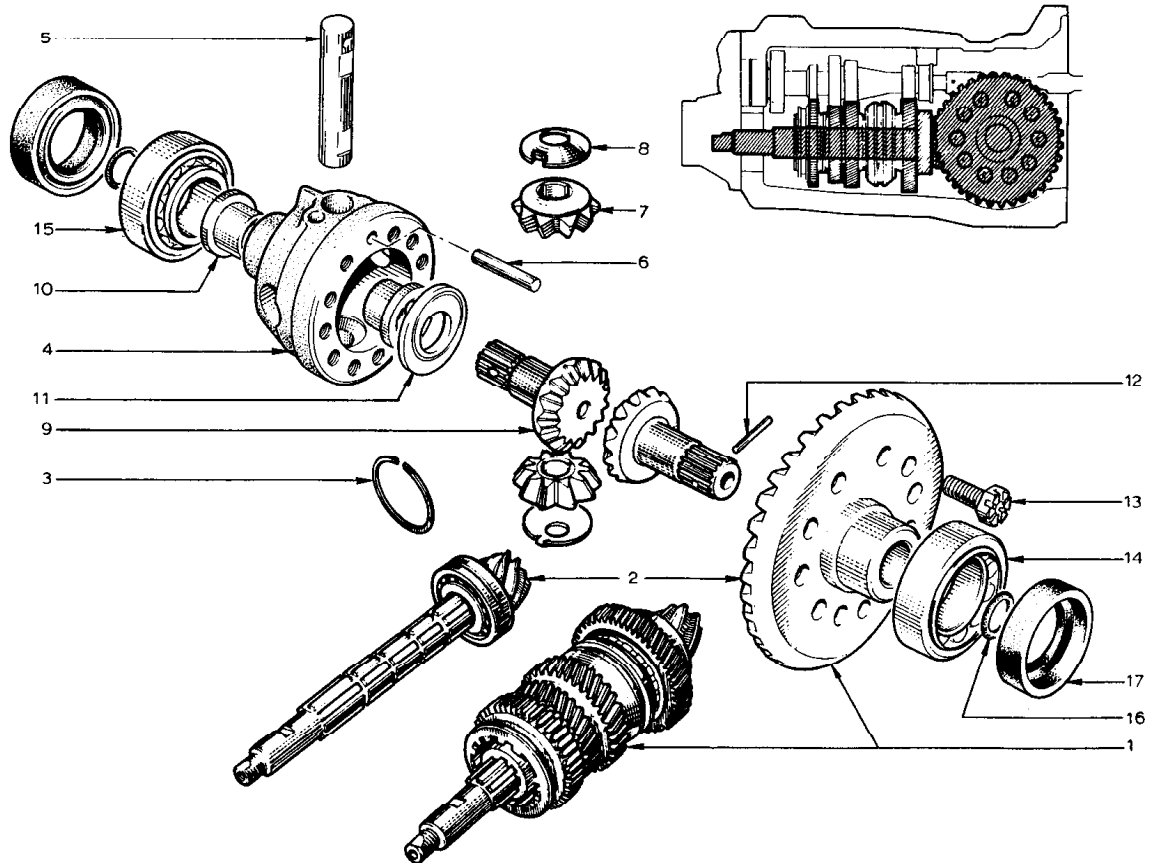


PLATE Ref: No.	PART No.	QUANTITY					STEERING		DESCRIPTION	CHANGE POINT	BULLETIN REFERENCE
		ALL	S1.	S1. Mk 1	S2.	S2. Fed.	RH	LH			
FP. 12.	046 P 6188	2							Tension Pin 7 x 40 mm.		
FP. 13.	046 P 6194	10							Screw - Crown Wheel to Carrier		
FP. 14.	046 P 6142	1							Bearing)		
FP. 15.	046 P 6126	1							Bearing) Differential Carrier		
FP. 16.	046 P 6140	2							10° Ring		
FP. 17.	046 P 6141	2							Seal Ring)		
	046 P 6141A	2							Seal Ring) Optional		

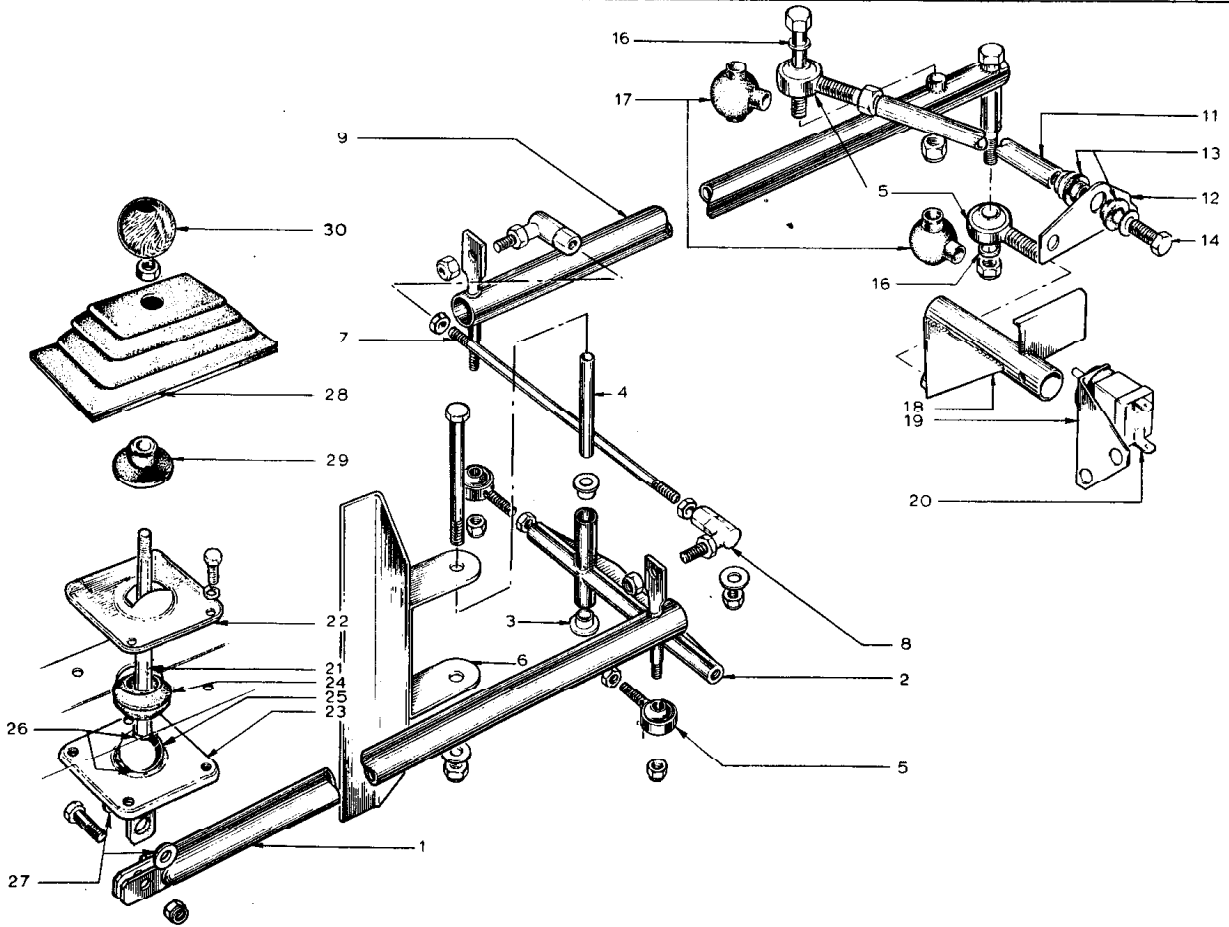


PLATE Ref. No.	PART No.	QUANTITY					STEERING		DESCRIPTION	CHANGE POINT	BULLETIN REFERENCE
		ALL	SI.	SI. Mk 1	S2.	S2. Fed.	RH	LH			
FG.1.	046 F 0123		1	1					Longitudinal Link - Front		
	054 F 0123				1	1			Longitudinal Link - Front		
FG.2.	046 F 0127	1							Relay Lever		
FG.3.	046 F 6163	2							Bush - Relay Lever		
FG.4.	054 0151 (W027)	1							Swivel Tube - Relay Lever		
	046 F 6161	-							Replaced by A046 F 6161	Up to Chassis No. 2339 From Chassis No. 2340	Service III 1969/35
FG.5.	A046 F 6161	4							Ball Joint		
	AUPN 050H	2							Nut - Ball Joint to Relay Lever		
	YUPN 040F	2							Nut) Ball Joint to Link		
	A04 W 0803	2							Washer)		
FG.6.	046 F 0128		1	1					Bracket - Relay Lever Mounting		
	054 F 0128				1	1			Bracket - Relay Lever Mounting		
	XUPB 0456	1							Bolt)		
	A04 W 0803	1							Washer) Relay Lever to Mounting Bracket		
	YUPN 040F	1							Nut)		
	W0050	2	2						Bush)		
FG.7.	X29B 0750	2	2						Bolt) Bracket to Engine		
	A04 W 0905	2	2						Washer)		
	046 F 0126	1	1						Link - Transverse		
	A046 F 0126				1	1			Link - Transverse		
FG.8.	046 F 6160	-							Replaced by A046 F 6160	Up to Chassis No. 0344 From Chassis No. 0345	
	A046 F 6160	2							Ball Joint - Transverse Link		
	AUPN 040H	2							Nut - Ball Joints to Transverse Link		
	YUPN 050F	2							Nut - Ball Joints to Longitudinal Links		
	046 F 0124	1	1						Longitudinal Link, Rear.		

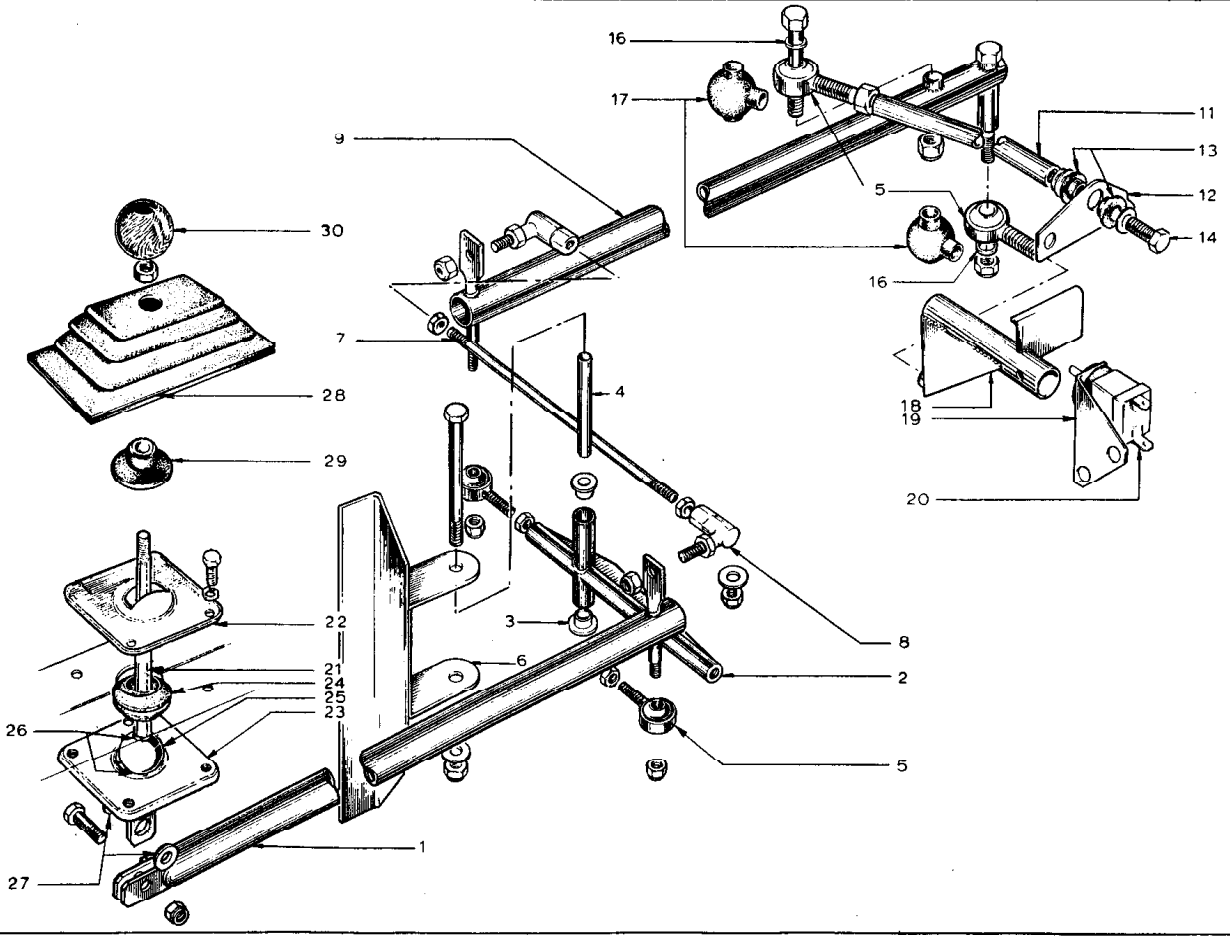


PLATE Ref. No.	PART No.	QUANTITY					STEERING		DESCRIPTION	CHANGE POINT	BULLETIN REFERENCE
		ALL	ST.	ST. Mk 1	S2.	S2. Fed.	RH	LH			
PG. 9.	054 F 0124				1	1			Longitudinal Link, Rear		
	046 F 6159		1	1					Bush, Longitudinal Link		
PG. 11.	054 F 0144				1	1			Location Link		
PG. 12.	054 F 0146				1	1			Reaction Plate		
PG. 13.	054 F 6003				2	2			Grommet)		
	A05 W 1007				2	2			Washer) Reaction Plate to Location Link		
PG. 14.	XUPB 0520				1	1			Bolt)		
PG. 16.	054 F 0145				2	2			Spacer		
PG. 17.	054 F 6002				2	2			Dust Seal		
	XUPB 0536				1	1			Bolt)		
	A05 W 1007				1	1			Washer) Location Link to		
	YUPN 050F				1	1			Nut) Longitudinal Link		
	LUPN 050H				1	1			Nut - Ball Joint to Location Link		
	046 F 6155		1	1					Actuator with Bush		
PG. 18.	054 F 0121				1	1			Actuator		
	LUPN 050H				1	1			Nut - Ball Joint to Actuator		
	XUPB 0548				1	1			Bolt)		
	A05W 1007				1	1			Washer) Rear Longitudinal		
	YUPN 050F				1	1			Nut) Link to Actuator		
	XUPB 0524				1	1			Bolt)		
	XUPB 0528				1	1			Bolt)		
	A05 W 1007				1	1			Washer) Reaction Plate to Gearbox		
	YUPN 050F				2	2			Nut)		

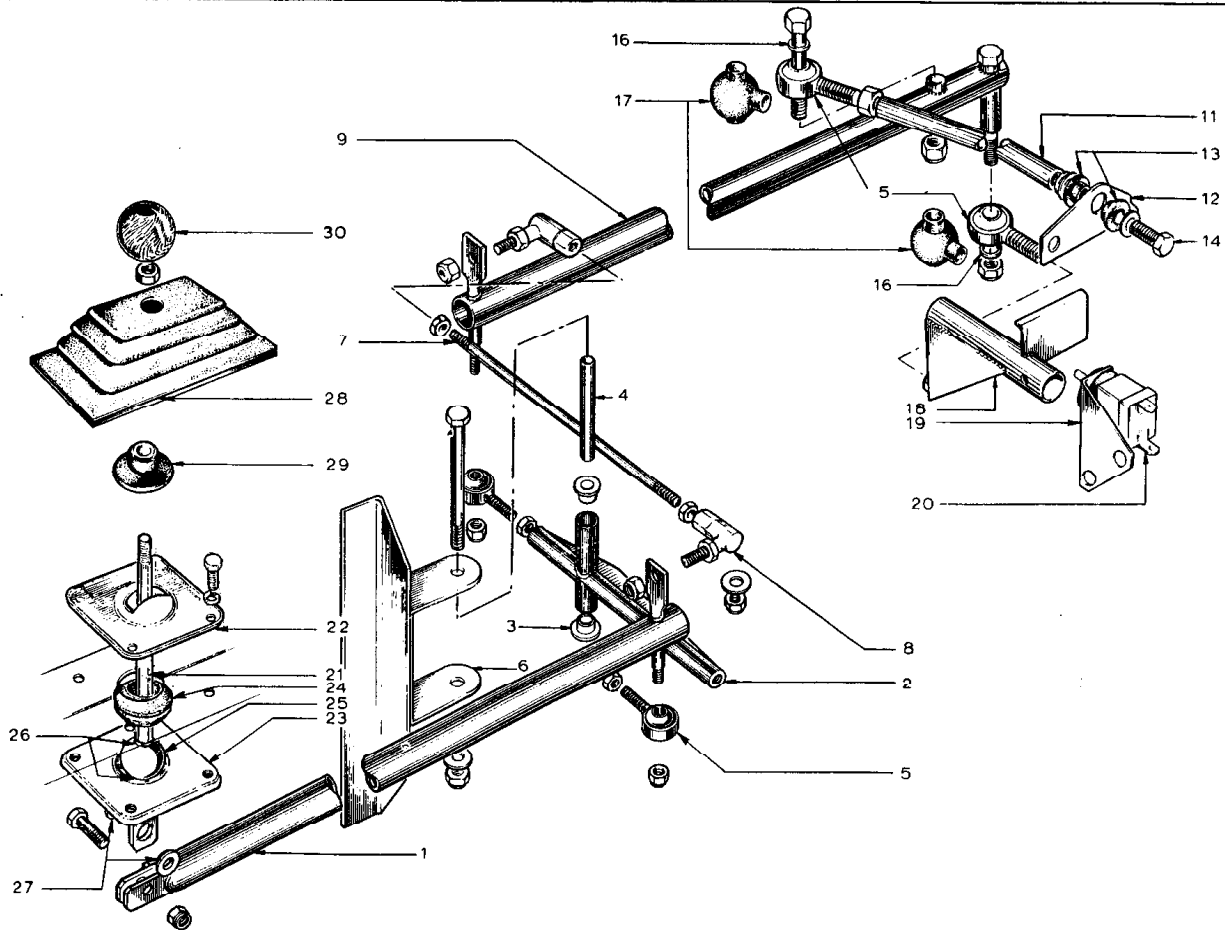


PLATE Ref. No.	PART No.	QUANTITY					STEERING		DESCRIPTION	CHANGE POINT	BULLETIN REFERENCE
		ALL	ST.	ST. Mk 1	S2.	S2. Fed.	RH	LH			
	XMPB 0630				1	1			Bolt 6 x 30 mm.)		
	LJMN 060F				1	1			Nut) Actuator to Selector Shaft		
	A04 W 0803				1	1			Washer)		
FG.19.	054 P 0141				1	1			Mounting Bracket, Reverse Lamp Switch		
FG.20.	054 M 6000				1	1			Switch - Reverse Lamps	To	
	A065 M 6000				1	1			Switch - Reverse Lamps	From	
FG.21.	046 P 0001	1							Gear Lever		
FG.22.	046 P 0131	1							Mounting Plate Upper		
FG.23.	046 P 0132	1							Mounting Plate Lower		
	046 P 0139	2							Spacer		
FG.24.	046 P 6148	1							Ball Joint, Outer		
	046 P 6147	-							Replaced by 046 P 6113		
FG.25.	046 P 6113	1							Ball Joint, Inner		
FG.26.	054 P 6004	2							Circlip - Ball to Lever		
FG.27.	046 P 6153	2							Bush)		
	XUPB 0413	1							Bolt) Gear Lever to Front Longitudinal		
	YUPN 040F	1							Nut) Link		
	YUPS 0310	4							Screw)		
	S03 W 0000	4							Mounting Plate Fixing		
	036 F 6000		1	1					Washer)		
FG.28.	050 P 6000				1	1			Grommet - Gear Lever		
FG.29.	A036 B 6186				1	1			Grommet - Gear Lever		
	046 P 6178		1	1					Grommet		
FG.30.	050 P 0002				1				Knob - Gear Lever		
	054 F 0002								Knob - Gear Lever		
	LJFN 050H				1	1			Knob - Gear Lever		
	046 B 1038	1	1						Lock Nut		
									Mounting Plate - Gear Lever Grommet		

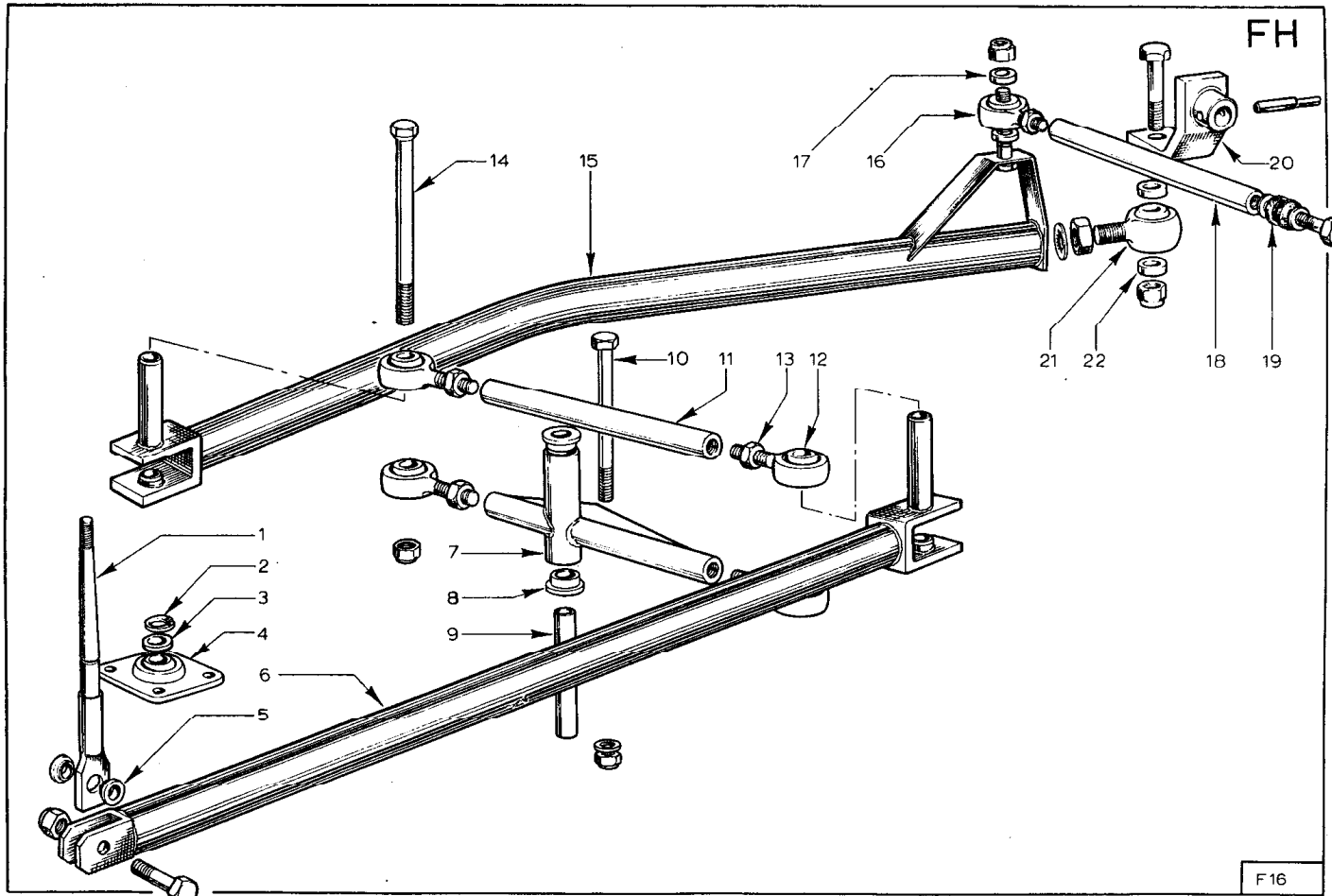


PLATE Ref: No.	PART No.	QUANTITY					STEERING		DESCRIPTION	CHANGE POINT	BULLETIN REFERENCE
		ALL	ST.	ST. Mk 1	S2.	S2. Fed.	RH	LH			
FH.16.	A065 F 6000				1	1			Ball Joint		
FH.17.	054 F 0145				2	2			Spacer		
	YUPN 050P				1	1			Locknut		
FH.18.	A065 F 0162				1	1			Location Link		
	A05W 1007				2	2			Washer)		
FH.19.	054 F 6003				2	2			Grommet) Location Link to Gearbox		
	XUPB 0520				1	1			Bolt)		
FH.20.	A065 F 0163				1	1			Actuator - Gearbox		
	046 F 6451				1	1			Tension Pin		
FH.21.	A065 F 6001				1	1			Ball Joint		
	AUPN 060H				1	1			Nut)		
	LOGW 0000				1	1			Washer - Shakeproof) Ball Joint to Rear Link		
	XUPB 0624				1	1			Bolt)		
FH.22.	A065 F 0170				2	2			Spacer) Ball Joint to Actuator		
	YUPN 060P				1	1			Locknut)		

* PART of 3

* PART of 9

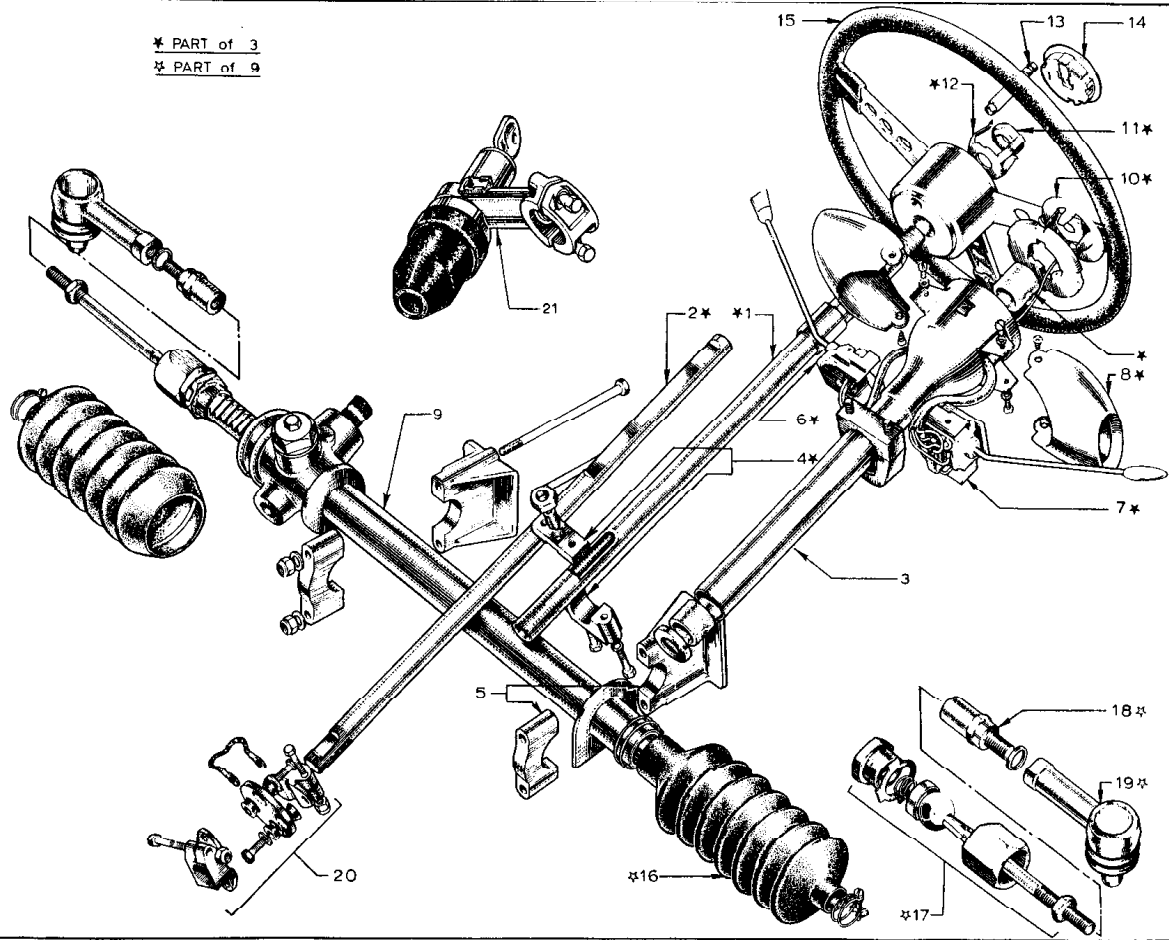


PLATE Ref: No.	PART No.	QUANTITY					STEERING		DESCRIPTION	CHANGE POINT	BULLETIN REFERENCE
		ALL	SI.	SI. Mk I	S2.	S2. Fed.	RH	LH			
HA.1.	046 H 6004	1									
HA.2.	046 H 6005	1									
HA.3.	A046 H 0705	1									
	054 H 0723	1									
	054 H 0730	1					+				
	054 H 0731	1						+			
HA.4.	036 H 6038	1									
HA.5.	046 H 0015	2									
	XUPB 0456	4									
	YUPN 040F	4									
	A04W 0904	4									
HA.6.	036 H 6000	1									
HA.7.	046 H 6183	1									
HA.8.	036 H 6033	2									
	046 H 0703	1						+			
HA.9.	046 H 0704	1					+				
HA.10.	036 H 6009	1									
HA.11.	036 H 6035	1									
HA.12.	036 H 6008	1									
HA.13.	036 H 6005	1									
HA.14.	036 H 6004	1									
	036 H 6090	1									

* PART of 3

* PART of 9

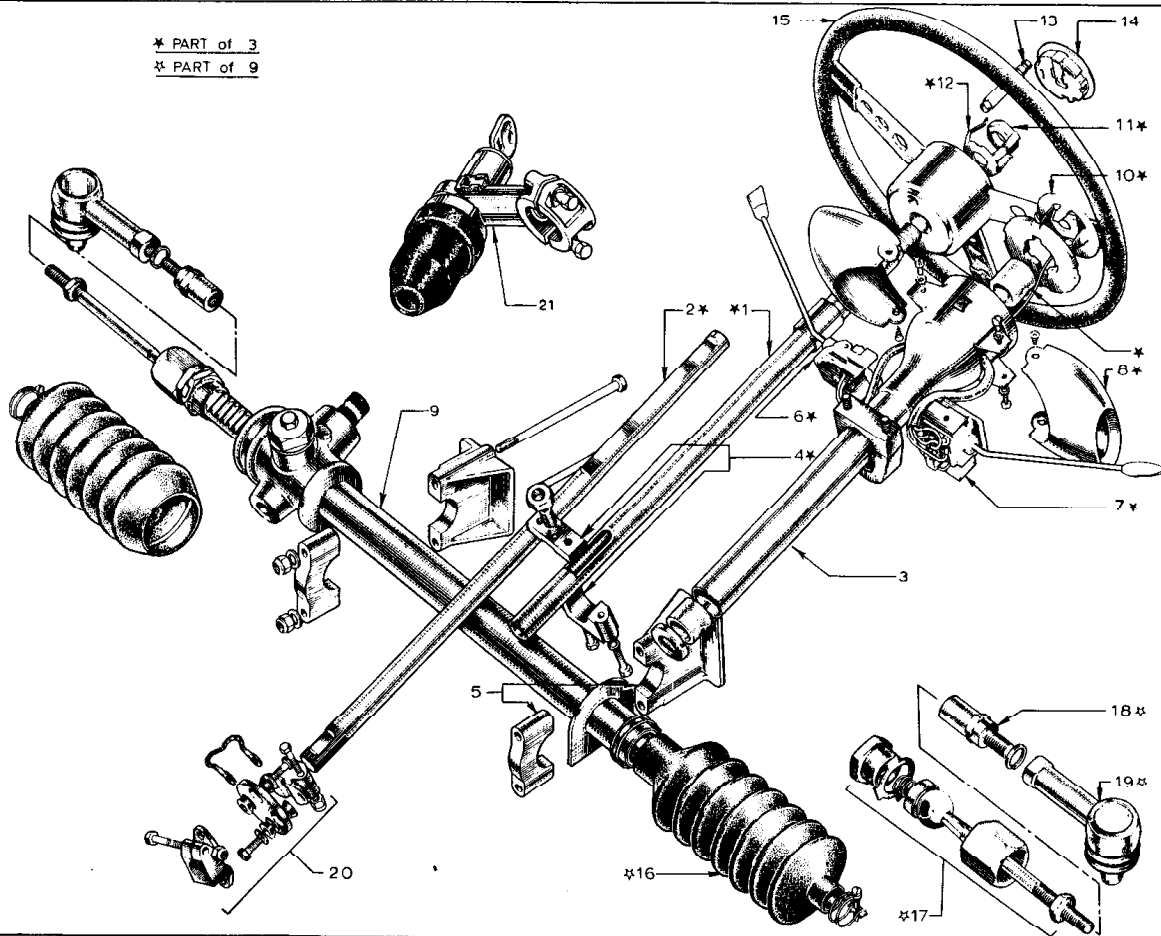


PLATE Ref: No.	PART No.	QUANTITY					STEERING		DESCRIPTION	CHANGE POINT	BULLETIN REFERENCE
		ALL	S1.	S1. Mk 1	S2.	S2. Fed.	RH	LH			
	028 H 0030	1							Horn button		
HA.15.	036 H 6006	1							Steering Wheel		
HA.16.	036 H 6027	2							Bellows - Steering unit		
HA.17.	046 H 6006	2							Tie-rod assembly		
	046H 6002	2							Tie-rod adaptor (replaced by)		
HA.18.	054 H 0056	2							Tie-rod adaptor)	From 1904	
	L08W 0000	2							Washer - Adaptor)		
HA.19.	036 H 6007	2							Ball Joint - Track rod		
HA.20.	036 H 6002	1							Joint - Flexible) Optional		
	050H 6012	1							Joint - Flexible)		
HA.21.	A036 H 6065				1				Lock - Steering (without buzzer)		
	A036 H 6064					1			Lock - Steering		

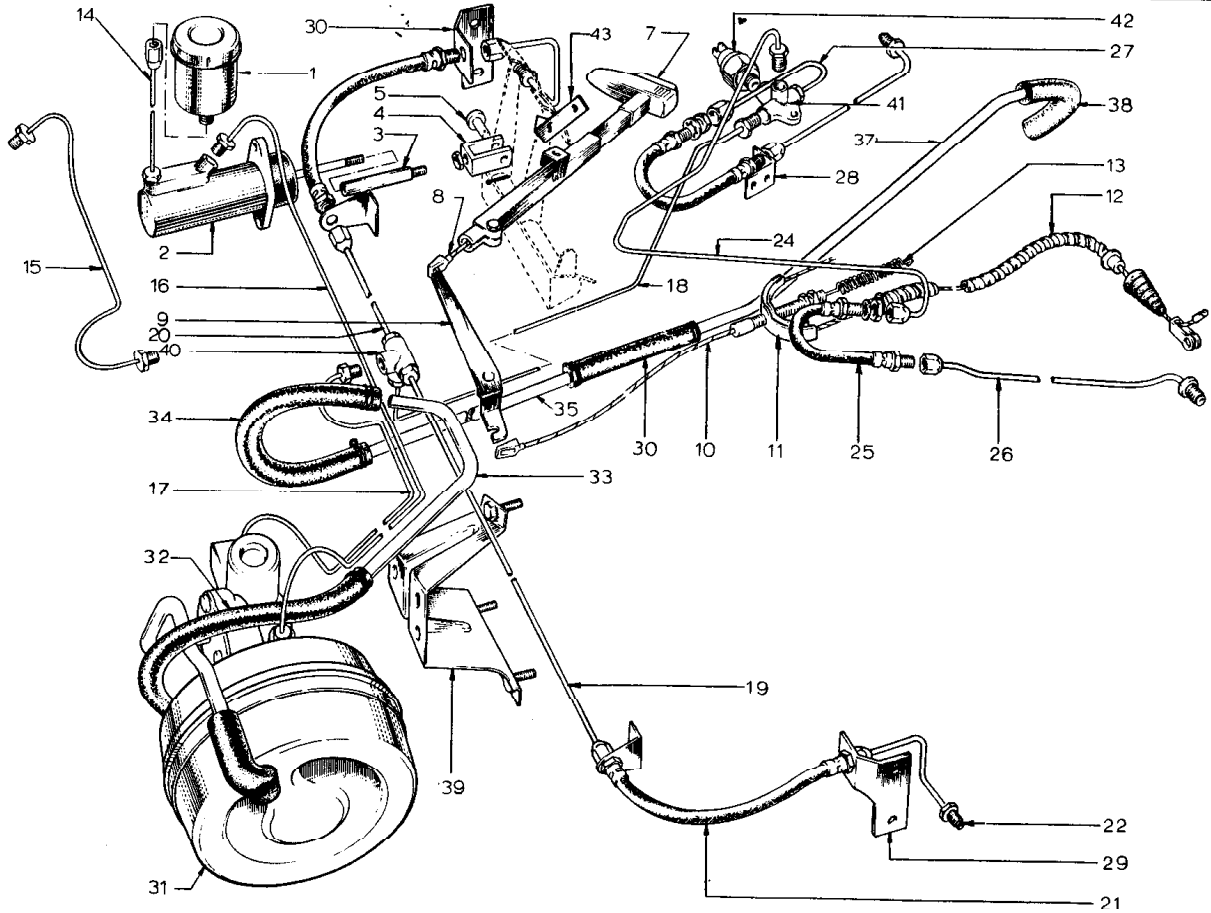
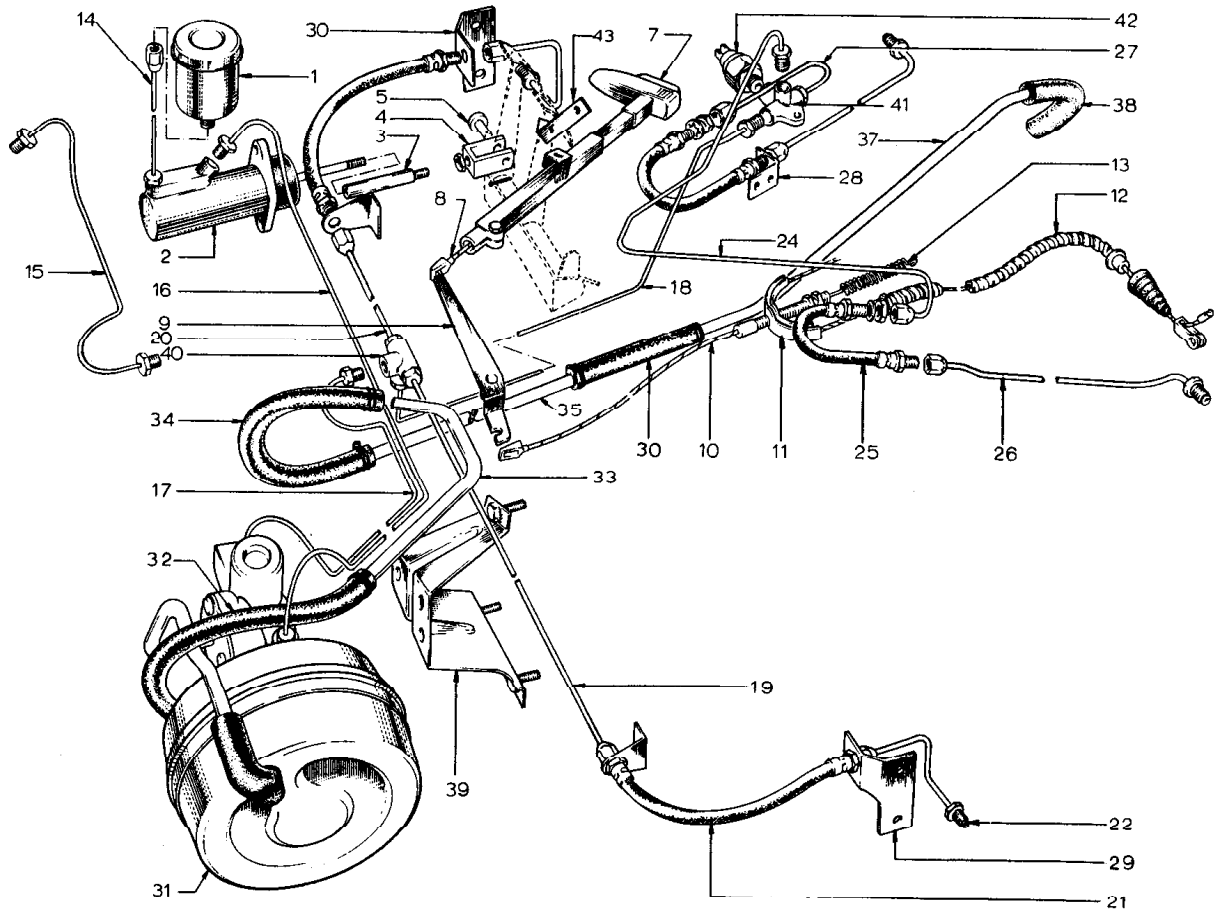


PLATE Ref. No.	PART No.	QUANTITY					STEERING		DESCRIPTION	CHANGE POINT	BULLETIN REFERENCE
		ALL	S1.	S1. Mk 1	S2.	S2. Fed.	RH	LH			
JA.1.	046 J 6019	1	1	1							
	046 J 6041	1	1	1				Reservoir			
	046 J 0078	1	1	1				Cap - Reservoir			
JA.2.	046 J 6018	1	1	1				Mounting Bracket - Reservoir			
	046 J 6015	1	1	1				Master Cylinder			
	046 J 0075	1	1					Repair Kit - Master Cylinder			
	A046 J 0075							Adaptor			
JA.3.	A054 J 0075				1			Replaced by 054 J 0075	Up to Chassis No.		
								Adaptor	From Chassis No.		
JA.4.	046 J 0076	1						Clevis			
JA.5.	W0084	1						Clevis Pin) Clevis to Pedal			
	415	1						Split Pin)			
	046 J 0727	1	1					+ Handbrake Lever Assembly			
JA.7.	A026 J 0704				1	1	+	Handbrake Lever Assembly			
	A026 J 0705				1	1	+	Handbrake Lever Assembly			
JA.8.	046 J 0067	1						Handbrake Cable - Lever to Multiplier			
JA.9.	046 J 0058	1					+	Multiplier			
	046 J 0057	1					+	Multiplier			
	046 J 0074	1						Pivot Bolt) Multiplier to Chassis			
	W 0078	1						Washer)			
JA.10.	046 J 0068	1						Handbrake Cable - Intermediate			
JA.11.	046 J 6028	1						Compensator Assembly			
JA.12.	046 J 0069	1						Handbrake Cable - rear			
JA.13.	046 J 0016	1						Return Spring			
JA.14.	046 J 6032	1	1	1				Bundy Pipe - Reservoir to Master Cylinder.			

JA



0370

IC-46PL

PLATE Ref: No.	PART No.	QUANTITY					STEERING		DESCRIPTION	CHANGE POINT	BULLETIN REFERENCE
		ALL	S1.	S1. Mk 1	S2.	S2. Fed.	RH	LH			
JA.15.	046 J 6058				1		+		Bundy Pipe - Master Cylinder to Union		
	054 J 6009				1			+	Bundy Pipe - Master Cylinder to Union		
JA.16.	046 J 6048			1	1		+		Bundy Pipe - Master Cylinder to Servo		
	046 J 6047			1	1			+	Bundy Pipe - Master Cylinder to Servo		
JA.17.	054 J 6026				1				Bundy Pipe - Servo to Union		
JA.18.	046 J 6037		1	1					Bundy Pipe - Front Union to Rear Union		
	054 J 6006				1	1			Bundy Pipe - Front Union to Rear Union		
JA.19.	046 J 6035		1	1	1				Bundy Pipe - Union to Flexible Hose LH		
JA.20.	046 J 6036		1	1	1				Bundy Pipe - Union to Flexible Hose RH		
JA.21.	046 J 6016	2							Flexible Hose - Front		
	AUPN 060H	2							Nut) Flexible Hose Retaining		
	L06W 0000	2							Washer)		
JA.22.	046 J 6044	2							Bundy Pipe - Flexible Hose to Caliper		
JA.24.	046 J 6043	1							Bundy Pipe - Union to Flexible Hose Rear, LH		
JA.25.	046 J 6020	2							Flexible Hose - Rear		
	AUPN 060H	2							Nut) Flexible Hose Retaining		
	L06W 0000	2							Washer)		
JA.26.	046 J 6042	2							Bundy Pipe - Flexible Hose to Rear Brake		
JA.27.	046 J 6045	1							Bundy Pipe - Union to Flexible Hose - Rear, RH		
JA.28.	A046 J 2002	2							Bracket		
JA.29.	046 J 2000	1							Bracket - LH		
JA.30.	046 J 2001	1							Bracket - RH		
03.70											

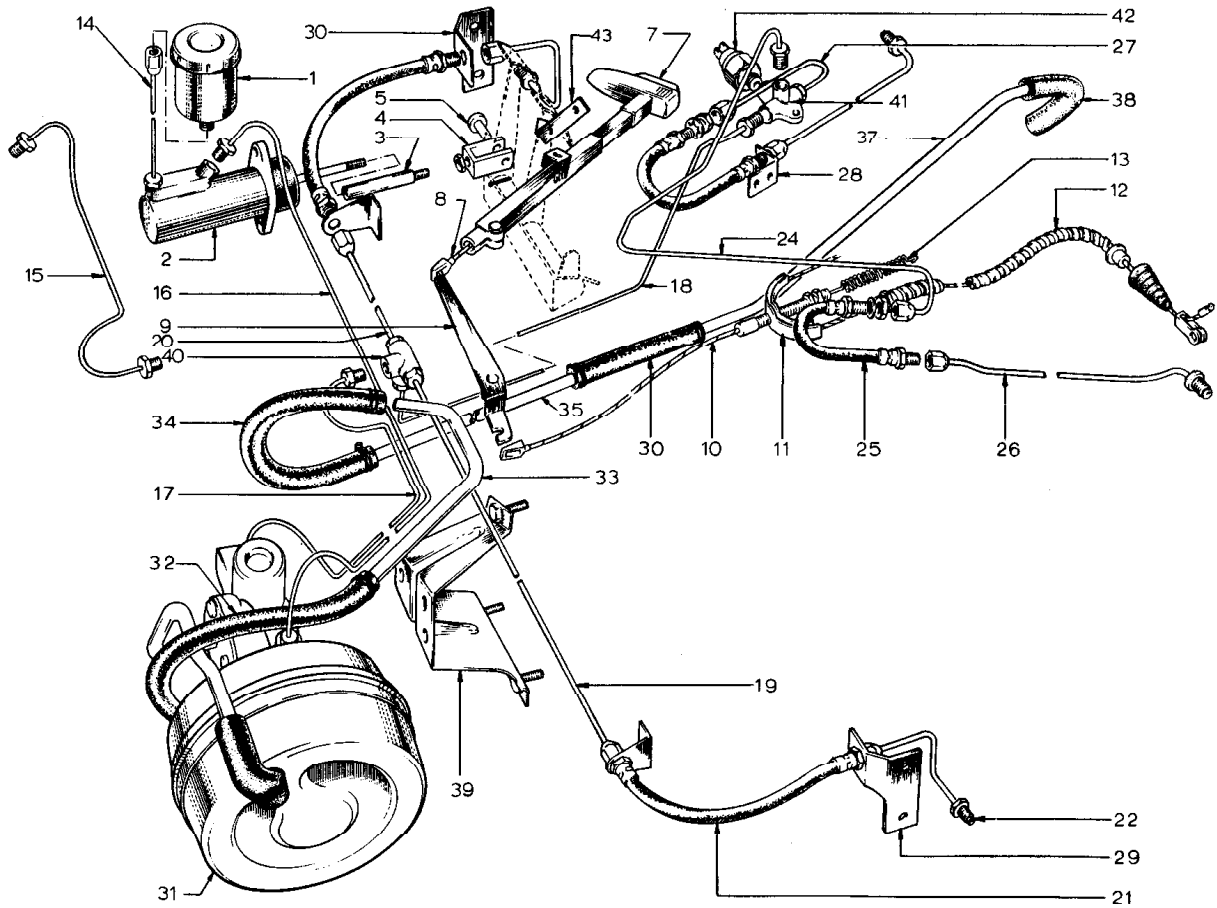


PLATE Ref: No.	PART No.	QUANTITY					STEERING		DESCRIPTION	CHANGE POINT	BULLETIN REFERENCE
		ALL	ST.	ST. Mk 1	S2.	S2. Fed.	RH	LH			
	046 J 6052			1					Servo Unit - Service Option		
JA.31.	054 J 6023				1				Servo Unit		
	046 J 6055			1	1				Air Filter Element, Servo		
JA.32.	046 J 6053			1	1				Vacuum Hose		
JA.33.	046 J 6051			1	1				Pipe - Vacuum		
JA.34.	046 J 6057			1	1				Vacuum Hose		
JA.35.	046 J 6050			1	1				Pipe - Vacuum		
JA.36.	054 J 6027				1				Vacuum Hose		
JA.37.	046 J 6051			1	1				Pipe - Vacuum		
JA.38.	054 J 6025				1				Vacuum Hose,		
	046 J 0099										
JA.39.	036 J 6054			1	1				Mounting Bracket - Servo		
	A054 J 0164				1				Backing Plate	Up to Chassis No	
JA.40.	046 J 6017			1	1				Union - Front 4 way	From Chassis No.	
JA.41.	046 J 6017			1	1				Union - Rear 4 way		
JA.42.	046 J 6025	1							Switch - Stop Light		
	036 J 6029	1							Seal - Stop Light Switch		
JA.43.	054 J 0104	1						+	Support Bracket - Handbrake		
	XUPS 0508	2							Screw)		
	A05W 1006	2							Washer) Support Bracket to Body		
	YUPN 050P	2							Nut)		
	XUPS 0508	1							Screw)		
	YUPN	1							Nut) Handbrake Lever to Support Bracket		

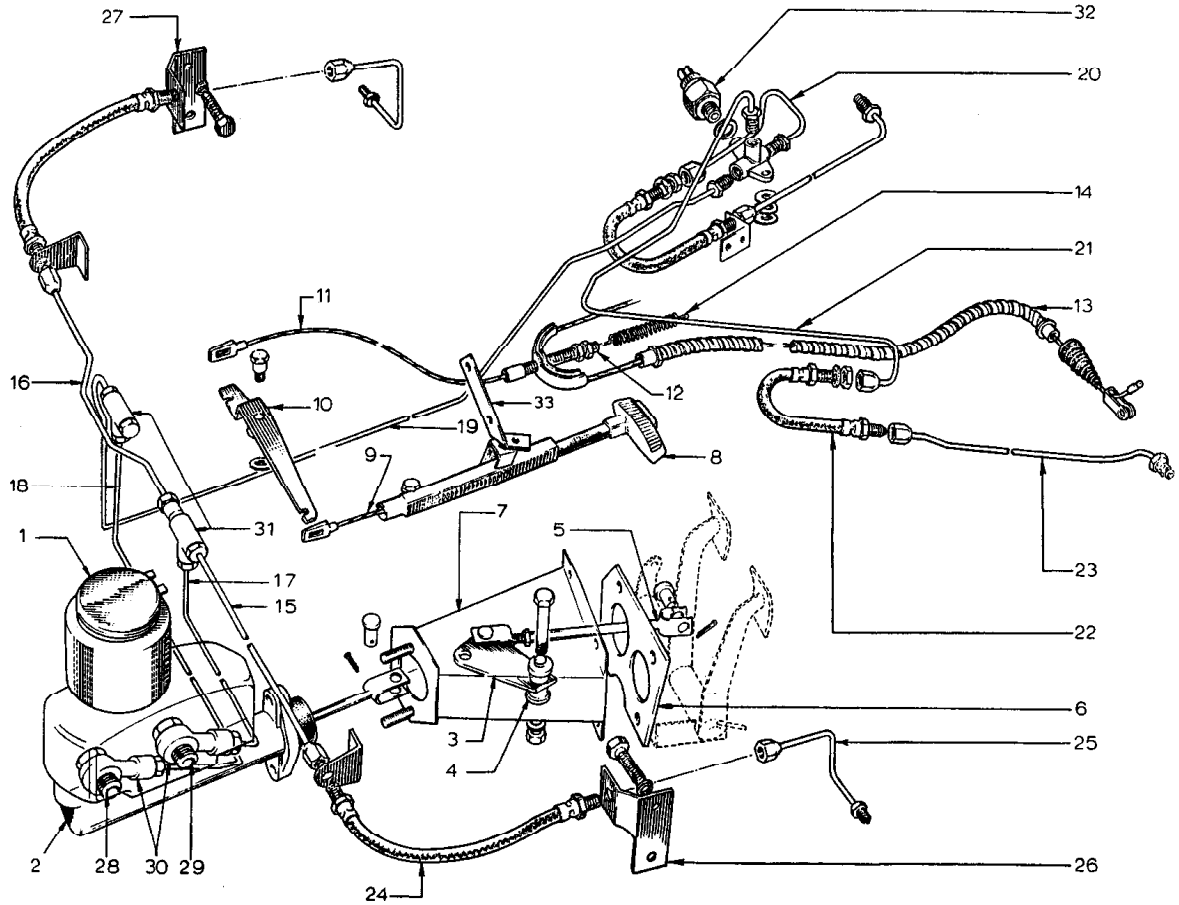


PLATE Ref. No.	PART No.	QUANTITY					STEERING		DESCRIPTION	CHANGE POINT	BULLETIN REFERENCE	
		ALL	SI.	SI. Mk 1	S2.	S2. Fed.	RH	LH				
JB.1.	036 J 6069					1			Sovy Device including canister	Up to Chassis No. 2089 From Chassis No. 2090		
	054 J 0741					1			Sovy Device including canister			
	054 J 0742					1			Sovy Device			
JB.2.	065 J 0140					1			Canister	From Chassis No. 2090		
	054 J 6008					1			Master Cylinder (Tandem)			
	054 J 6019					AR			Repair Kit - Master Cylinder			
JB.3.	054 J 0114					1			Relay Lever			
JB.4.	046 F 6163					2			Bushing)			
	W 0019					1			Bushing)			
	XUPN 0436					1			Bolt) Relay Lever Mounting			
	YUPN 040P					1			Nut)			
	A04" 0904					1			Washer)			
	430B					1			Clevis Pin)	Master Cylinder Push Rod to Relay Lever		
	415					1			Split Pin)			
	JB.5.	054 J 0729					1			Adjustable Link - Brake Pedal to Relay Lever		
		430B					1			Clevis Pin)	Push Rod to Pedal	
		026 J 6098 (415)					1			Split Pin)		
W 0084						1			Clevis Pin)	Push Rod to Relay Lever		
415						1			Split Pin)			
JB.6.	054 J 0122					1			Tapping Plate - Master Cylinder Mounting			
12.70												

JB

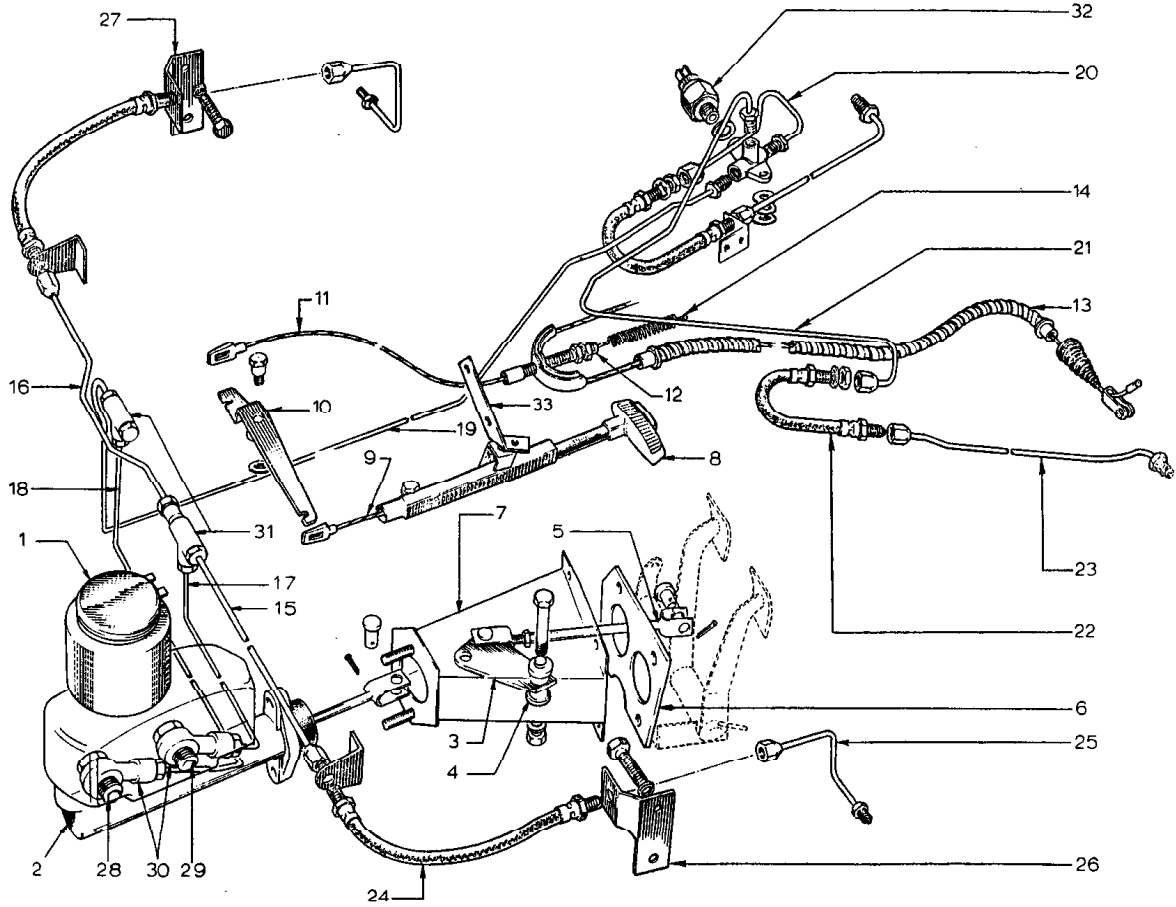


PLATE Ref. No.	PART No.	QUANTITY					STEERING		DESCRIPTION	CHANGE POINT	BULLETIN REFERENCE
		ALL	SI.	SI. MK 1	S2.	S2. Fed.	RH	LH			
JB.7.	054 J 0115					1			Mounting Bracket - Master Cylinder Mounting		
	XUPB 0510					4			Bolt) Master Cylinder Mounting		
	LO5W 0000					4			Washer) Bracker to Tapping Plate		
	YUPN 050F					2			Nut) Master Cylinder to Mounting Bracket		
	A05W 1606					2			Washer)		
JB.8.	A026 J 0705				1	1		+	Handbrake Lever Assembly		
JB.9.	046 J 0067	1							Handbrake Cable - Lever to Multiplier		
JB.10.	046 J 0057	1						+	Multiplier		
	046 J 0058	1					+		Multiplier		
	046 J 0074	1							Pivot Bolt) Multiplier to Chassis		
	W 0078	1							Washer)		
JB.11.	046 J 0068	1							Handbrake Cable - Intermediate		
JB.12.	046 J 6028	1							Compensator Assembly		
JB.13.	046 J 0069	1							Handbrake Cable - Rear		
JB.14.	A046 J 0016	1							Return Spring		
JB.15.	054 J 6036	1							Bundy Pipe - Union to Flexible Hose, Front LH		
JB.16.	054 J 6035	1							Bundy Pipe - Union to Flexible Hose, Front RH		
JB.17.	054 J 6015	1							Bundy Pipe - Master Cylinder to Union (Front Brakes)		
JB.18.	054 J 6016	1							Bundy Pipe - Master Cylinder to Union (Rear Brakes)		
	054 J 6009					1			Bundy Pipe - Master Cylinder to Rear Union	Up to Chassis No.	
JB.19.	054 J 6006				1	1			Bundy Pipe - Front Union to Rear Union	From chassis No.	
JB.20.	046 J 6045	1							Bundy Pipe - Rear Union to Flexible Hose, Rear RH		
JB.21.	046 J 6043	1							Bundy Pipe - Rear Union to Flexible Hose, Rear LH		

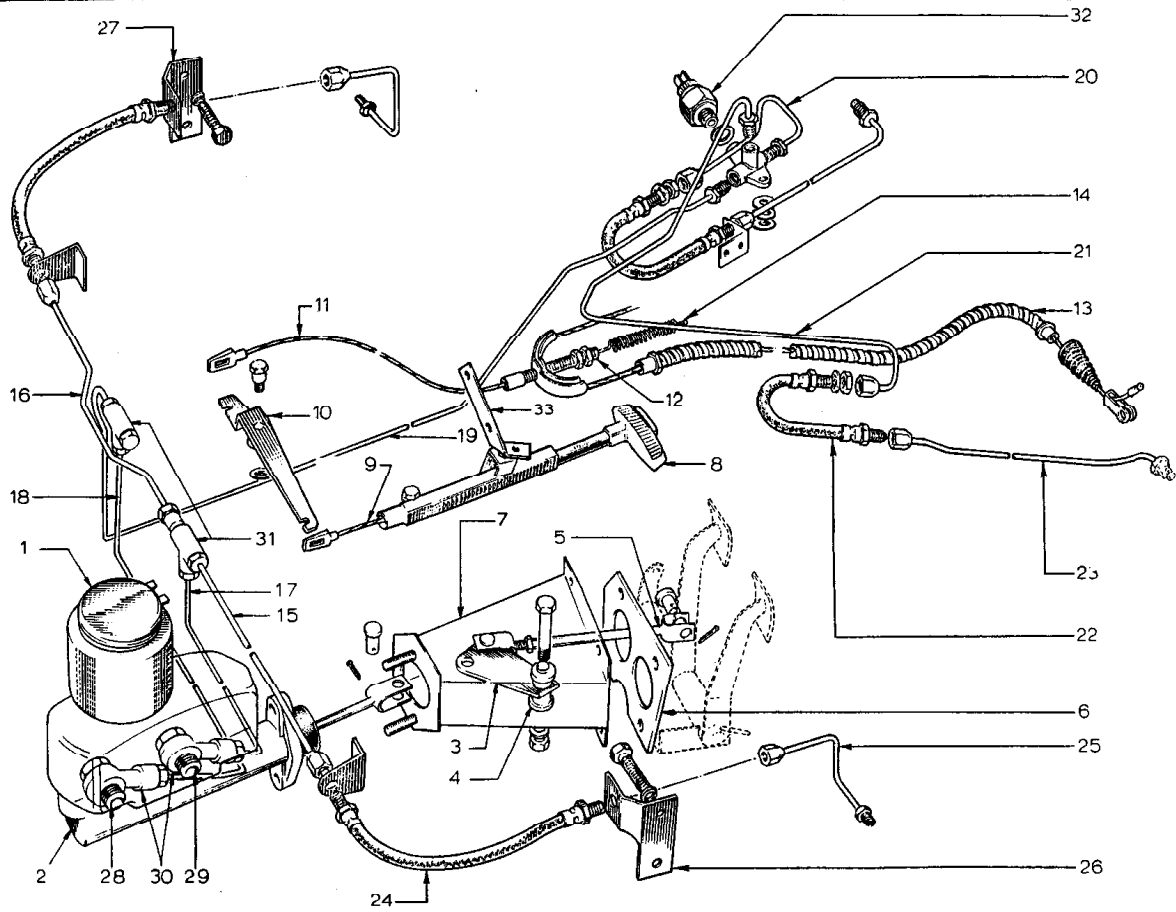


PLATE Ref. No.	PART No.	QUANTITY					STEERING		DESCRIPTION	CHANGE POINT	BULLETIN REFERENCE
		ALL	SI.	SI. Mk 1	S2.	S2. Fed.	RH	LH			
JB.22.	046 J 6020	2							Flexible Hose - Rear		
	ALFN 060H	2							Nut) Flexible Hose Retaining		
	L06W 0000	2							Washer)		
JB.23.	046 J 6042	2							Bundy Pipe - Flexible Hose to Rear Brake		
JB.24.	046 J 6046	2							Flexible Hose - Front		
	AUPN 060H	2							Nut) Flexible Hose Retaining		
	L06W 0000	2							Washer)		
JB.25.	046 J 6044	2							Bundy Pipe - Flexible Hose to Caliper		
JB.26.	046 J 2000	1							Mounting Bracket - Flexible Hose LH		
JB.27.	046 J 2001	1							Mounting Bracket - Flexible Hose RH		
JB.28.	054 J 6013					1			Banjo Bolt		
JB.29.	054 J 6012					1			Banjo Bolt		
	054 J 6014					1			Seal Ring		
	026 J 6017					2			Seal Ring		
JB.30.	054 J 6011					2			Banjo Union		
JB.31.	036 J 6016					2			Union - 3 way		
	A054 J 6036					1			Plug) (Federal Cars only)		
	036 J 6059					1			Washer)		
	046 J 6017	1							Union - 4 way		
JB.32.	046 J 6025	1							Switch - Brake Lights		
	036 J 6059	1							Seal Ring - Brake Lights Switch		
JB.33.	054 J 0103	1						+	Support Bracket - Handbrake		
	XUPS 0508	2							Screw)		
	A05W 1006	2							Washer) Support Bracket to Body		
	YUPN 050P	2							Nut)		
	XUPS 0508	1							Screw)		
12.70	YUPN 050P	*							Nut) Handbrake Lever to Support Bracket		

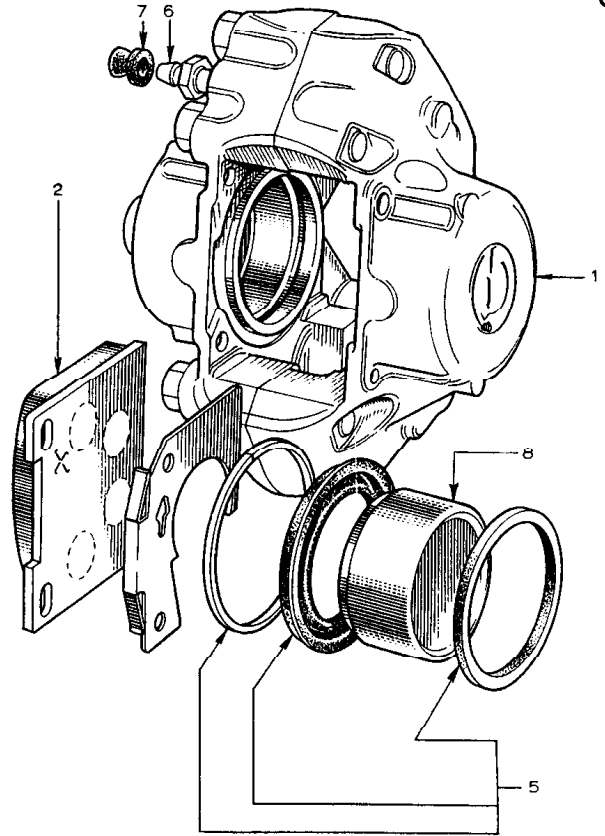
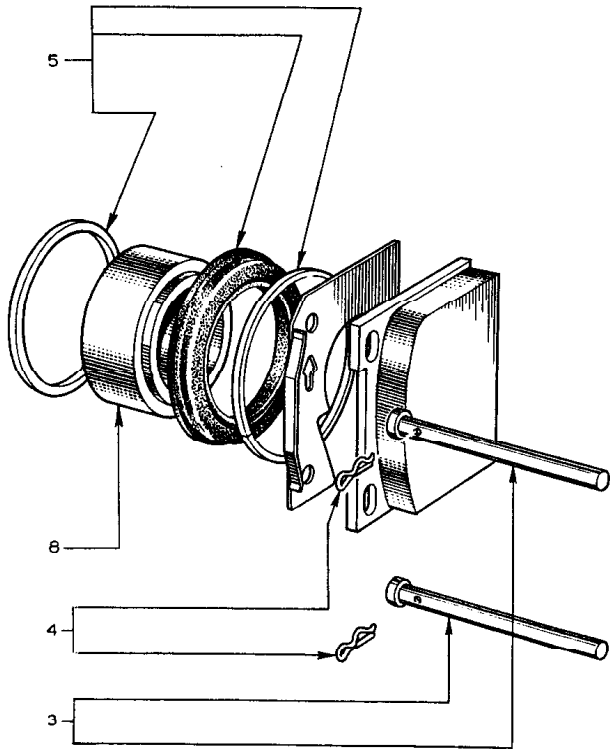


PLATE Ref: No.	PART No.	QUANTITY					STEERING		DESCRIPTION	CHANGE POINT	BULLETIN REFERENCE
		ALL	SI.	SI. Mk	S2.	S2. Fed.	RH	LH			
	036 J 6006	1									
JC.1.	036 J 6071	1						Replaced by 036 J 6071			
	036 J 6007	1						Caliper LH less pads			
	036 J 6072	1						Replaced by 036 J 6072			
JC.2.	046 J 6038	1						Caliper RH - less pads			
JC.3.	036 J 6011	4						Brake Pad Set			
JC.4.	036 J 6012	4						Pin - Pad Retaining			
JC.5.	036 J 6003	AR						Clip - Pad Retaining			
JC.6.	036 J 6004	2						Repair Kit - Front Caliper			
JC.7.	036 J 6005	2						Bleed Screw			
JC.8.	026 J 6041	4						Dust Cover - Bleed Screw			
								Piston			

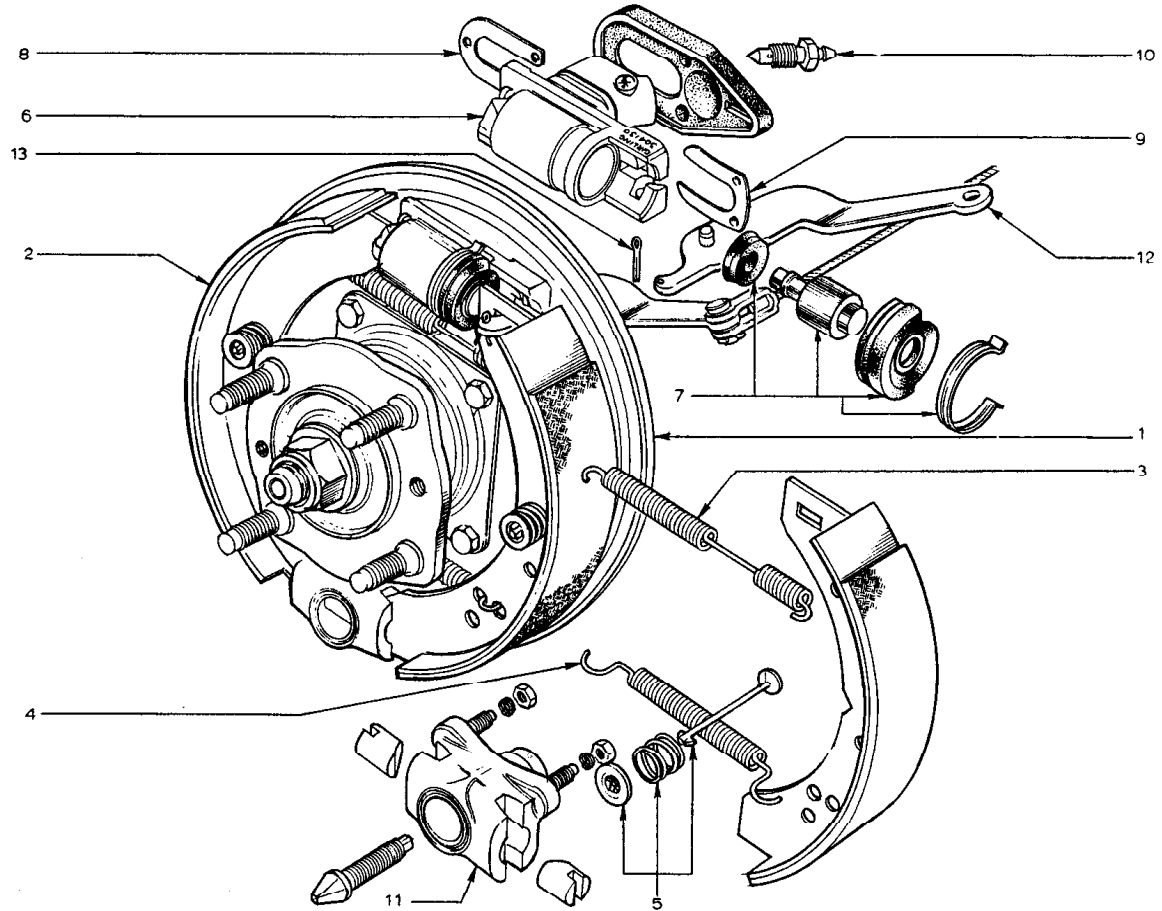
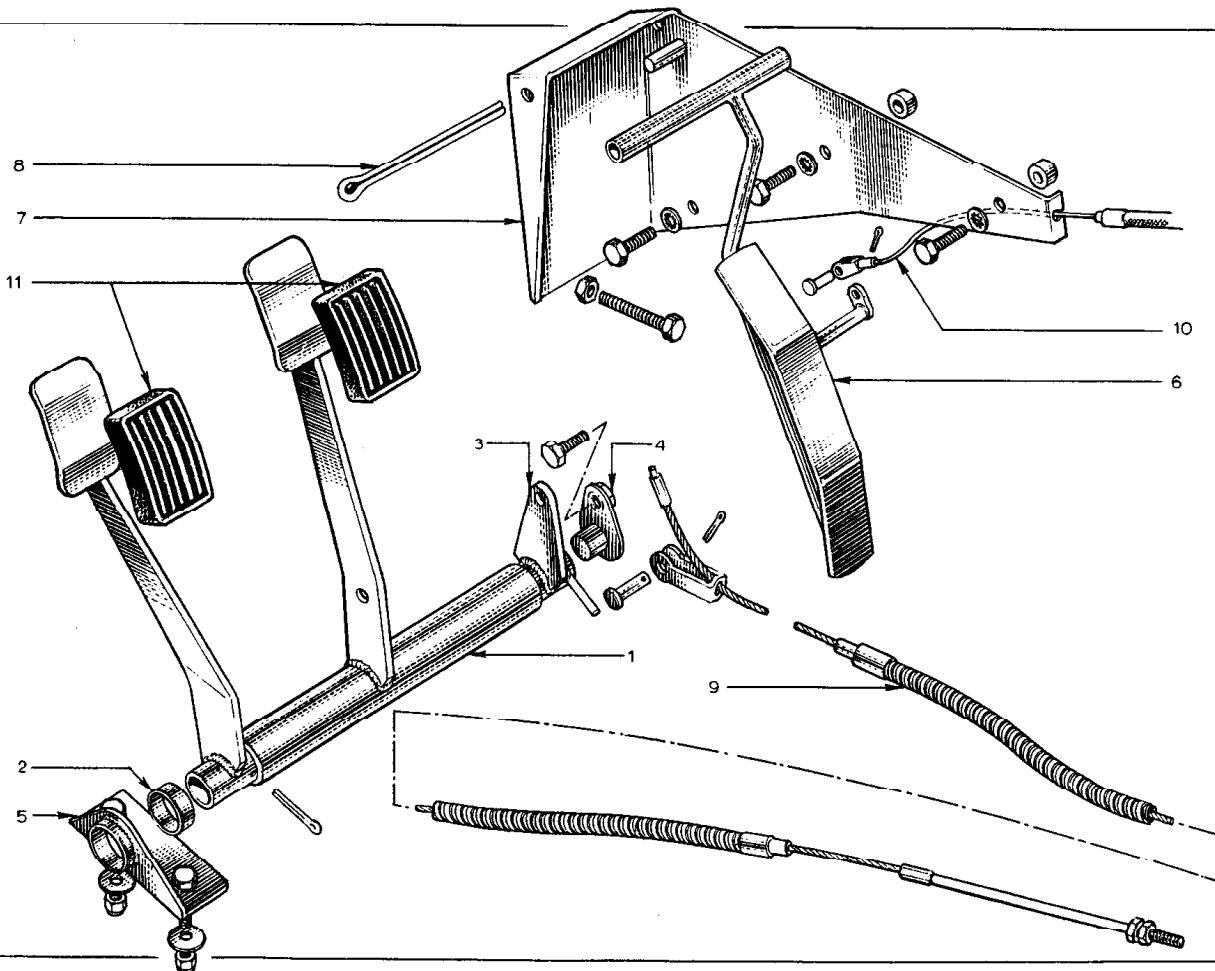


PLATE Ref: No.	PART No.	QUANTITY					STEERING		DESCRIPTION	CHANGE POINT	BULLETIN REFERENCE
		ALL	ST.	ST. Mk 1	S2.	S2. Fed.	RH	LH			
	046 J 6021	1							Rear Brake Assembly LH		
	046 J 6022	1							Rear Brake Assembly RH		
JD.1.	046 J 6000	1							Backplate LH		
	046 J 6001	1							Backplate RH		
JD.2.	046 J 6002	4							Brake Shoe		
JD.3.	046 J 6003	2							Return Spring - Upper		
JD.4.	046 J 6004	2							Return Spring - Lower		
JD.5.	046 J 6046	4							Steady Rest		
JD.6.	046 J 6005	2							Wheel Cylinder		
JD.7.	046 J 6006	AR							Repair Kit - Wheel Cylinder		
JD.8.	046 J 6009	2							Retaining Plate		
JD.9.	046 J 6010	2							Locking Plate		
JD.10.	046 J 6004	2							Bleed Screw		
JD.11.	046 J 6011	2							Adjuster Assembly - Brake Shoe		
	XUFS 0516	8							Screw)		
	LOS W 0000	8							Washer) Brake Assembly to Radius Arm		
JD.12	046 J 6007	2							Lever - Handbrake		
JD.13.	W 0086	2							Split Pin		

JE



0370

IC-46PL

PLATE Ref. No.	PART No.	QUANTITY					STEERING		DESCRIPTION	CHANGE POINT	BULLETIN REFERENCE	
		ALL	Sl.	Sl. Mk 1	Sz.	Sz. Fed.	RH	LH				
JE.1.	046 J 0707		1	1					+	Pedal Assembly		
JE.2.	046 J 6027		1	1					+	Bushing - Clutch Pedal Shaft		
JE.3.	046 J 0073		1	1					+	Spizot Plate		
JE.4.	046 J 6026		1	1					+	Support Bush - Brake Pedal		
	XUPS 0412		1	1					+	Screw)	Support Bush to Chassis	
	104W 0000		1	1					+	Washer)		
JE.5.	046 J 0030		1	1					+	Pedal Mounting Bracket		
	YUPN 040P		2	2					+	Nut)	Mounting Bracket to Body	
	A04W 0905		2	2					+	Washer)		
JE.6.	046 S 0702		1	1					+	Throttle Pedal Assembly		
JE.7.	046 S 0081		1	1					+	Mounting Bracket - Throttle Pedal		
JE.8.	046 S 6016		1	1					+	Pivot Pin		
	XUPS 0412		3	3					+	Screw)	Throttle Pedal Mounting Bracket to Body	
	104W 0000		3	3					+	Washer)		
	XUPS 0416		1	1					+	Screw)	Throttle Stop	
	AUPN 040H		1	1					+	Nut)		
JE.9.	046 Q 0025		1	1					+	Clutch Cable		
	W 0084		1	1						Clevis Pin)	Clutch Cable to Pedal	
	W 0086		1	1						Split Pin)		
JE.10.	046 S 0702		1	1						Throttle Cable		
	W 0084		1	1						Clevis Pin)	Throttle Cable to Pedal	
	W 0086		1	1						Split Pin)		
	036 J 6011		-	-						Replaced by 036 J 6029		
JE.11.	036 J 6029	2								Pedal Rubber		
03.70												

JF

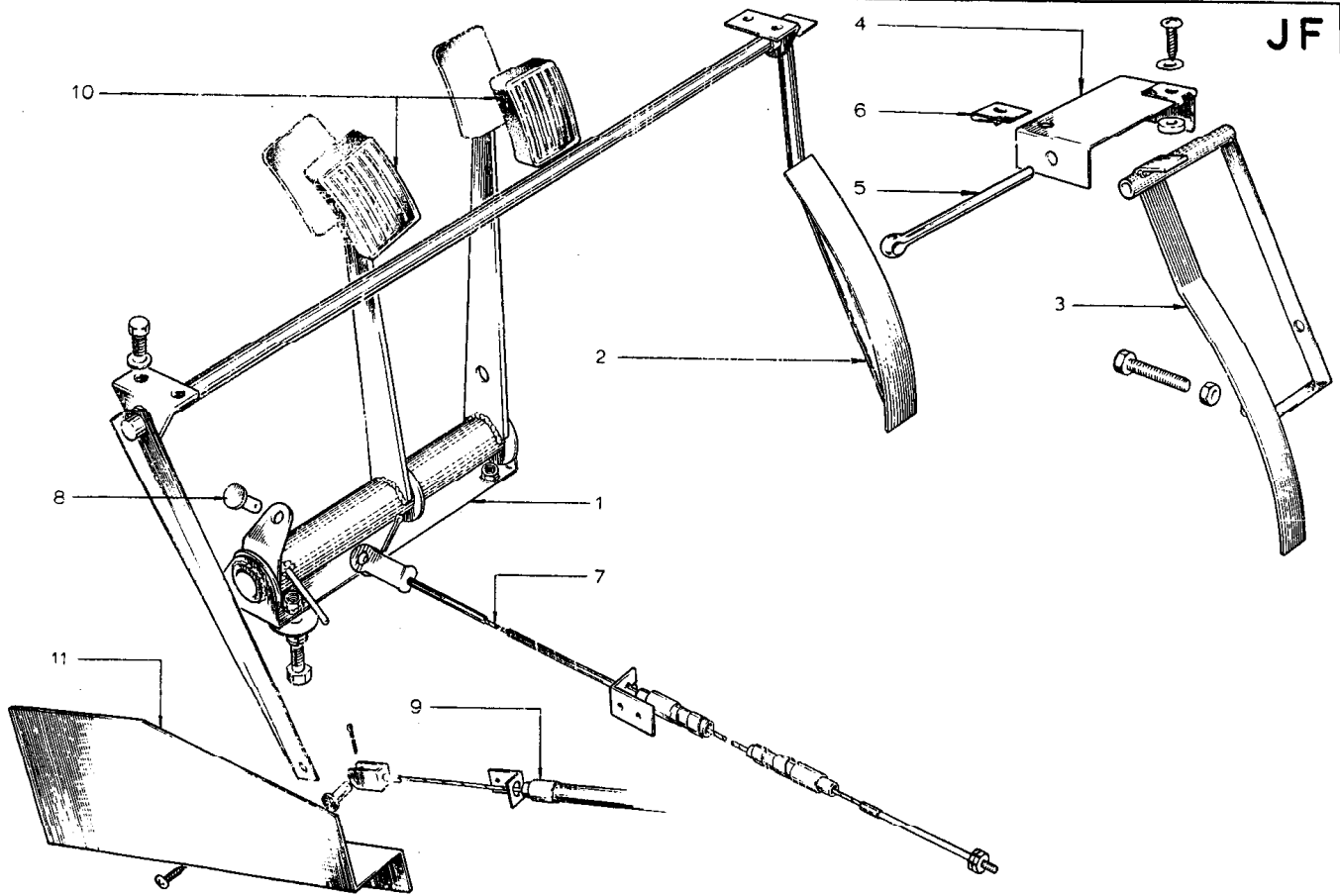


PLATE Ref: No.	PART No.	QUANTITY					STEERING		DESCRIPTION	CHANGE POINT	BULLETIN REFERENCE
		ALL	Sl.	Sl. Mk 1	S2.	S2. Fed.	RH	LH			
	054 J 0707				-	-		-	Replaced by A054 J 0707		
	A054 J 0707				1	1		+	Pedal Assembly		
JF.1.	054 J 0708				1	1		+	Pedal Assembly		
	XUFS 0406				4	4			Screw)		
	LO4W 0000				4	4			Washer)	Pedal Mounting	
	A04W 1606				4	4			Washer)		
JF.2.	A054 S 0708				1			+	Throttle Pedal		
	XUFS 0310				4			+	Screw)	Throttle Pedal Mounting	
	A03W 0806				4			+	Washer)		
JF.3.	054 S 0722				1	1		+	Throttle Pedal		
JF.4.	054 S 0081				1	1		+	Mounting Bracket - Throttle Pedal		
JF.5.	046 S 6016				1	1		+	Pivot Pin)		
JF.6.	054 B 6015				2	2		+	Nut)	Throttle Pedal Mounting	
	PSTS 1012				2	2		+	Screw)		
	A03W 0806				2	2		+	Washer)		
	046 Q 0025	1						+	Clutch Cable		
JF.7.	046 Q 0026	1						+	Clutch Cable		
JF.8.	W 0084	1							Clevis Pin)	Clutch Cable to Pedal	
	W 0086	1							Split Pin)		
JF.9.	054 S 0702				1	1			Throttle Cable		
	W 0084	1							Clevis Pin)	Throttle Cable to Pedal	
	W 0086	1							Split Pin)		
JF.10.	036 J 6029	2							Pedal Rubber		
03.70											

JF

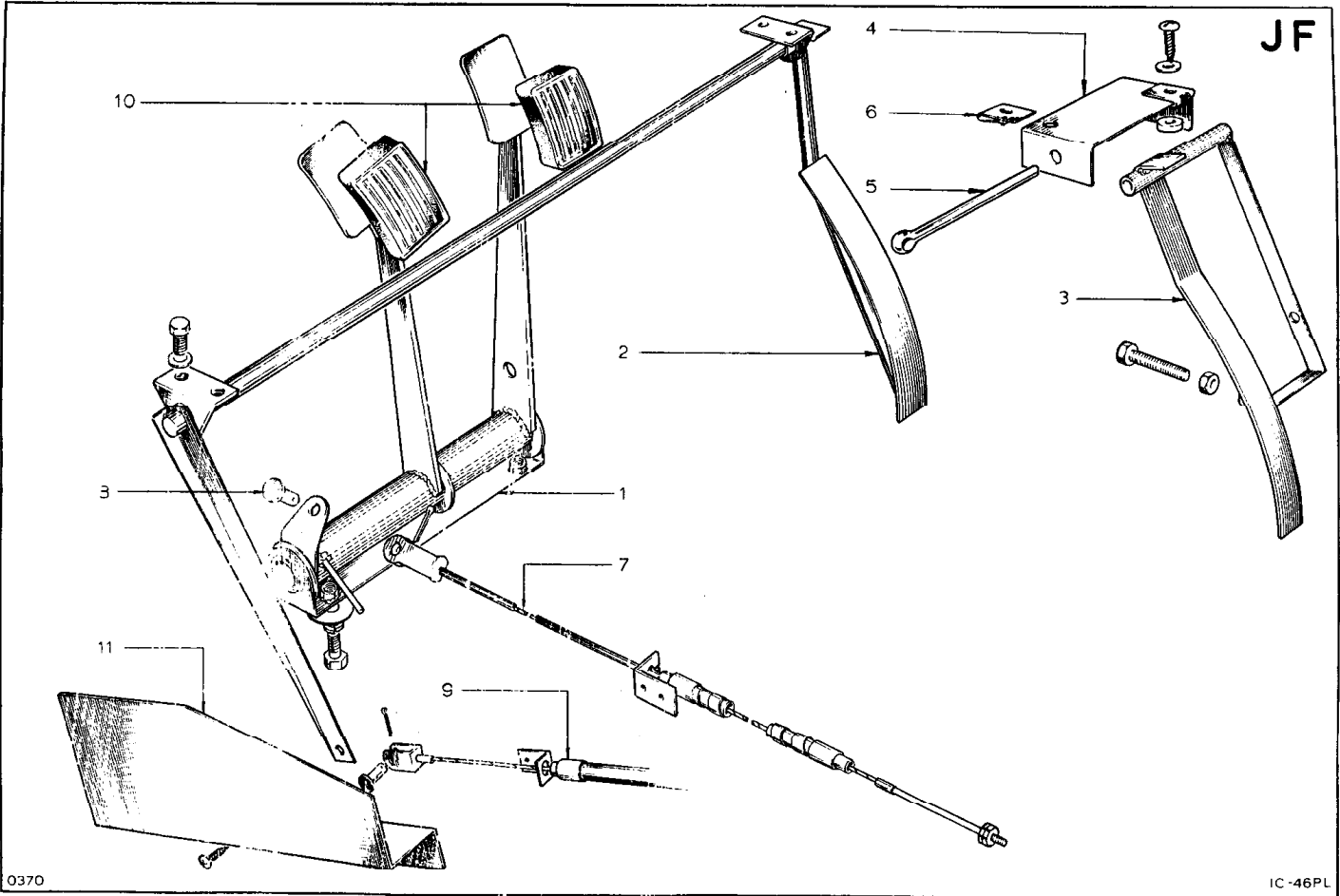


PLATE Ref: No.	PART No.	QUANTITY					STEERING		DESCRIPTION	CHANGE POINT	BULLETIN REFERENCE
		ALL	ST.	ST. Mk 1	S2.	S2. Fed.	RH	LH			
JP.11.	054 S 0121				1		+		Cover Plate - Throttle Pedal		
	PSIS 0816				3		+		Screw - Cover Plate Mounting		
	XUCB 0420				1	1		+	Screw) Throttle Stop		
	LUCH 040F				1	1		+	Nut)		

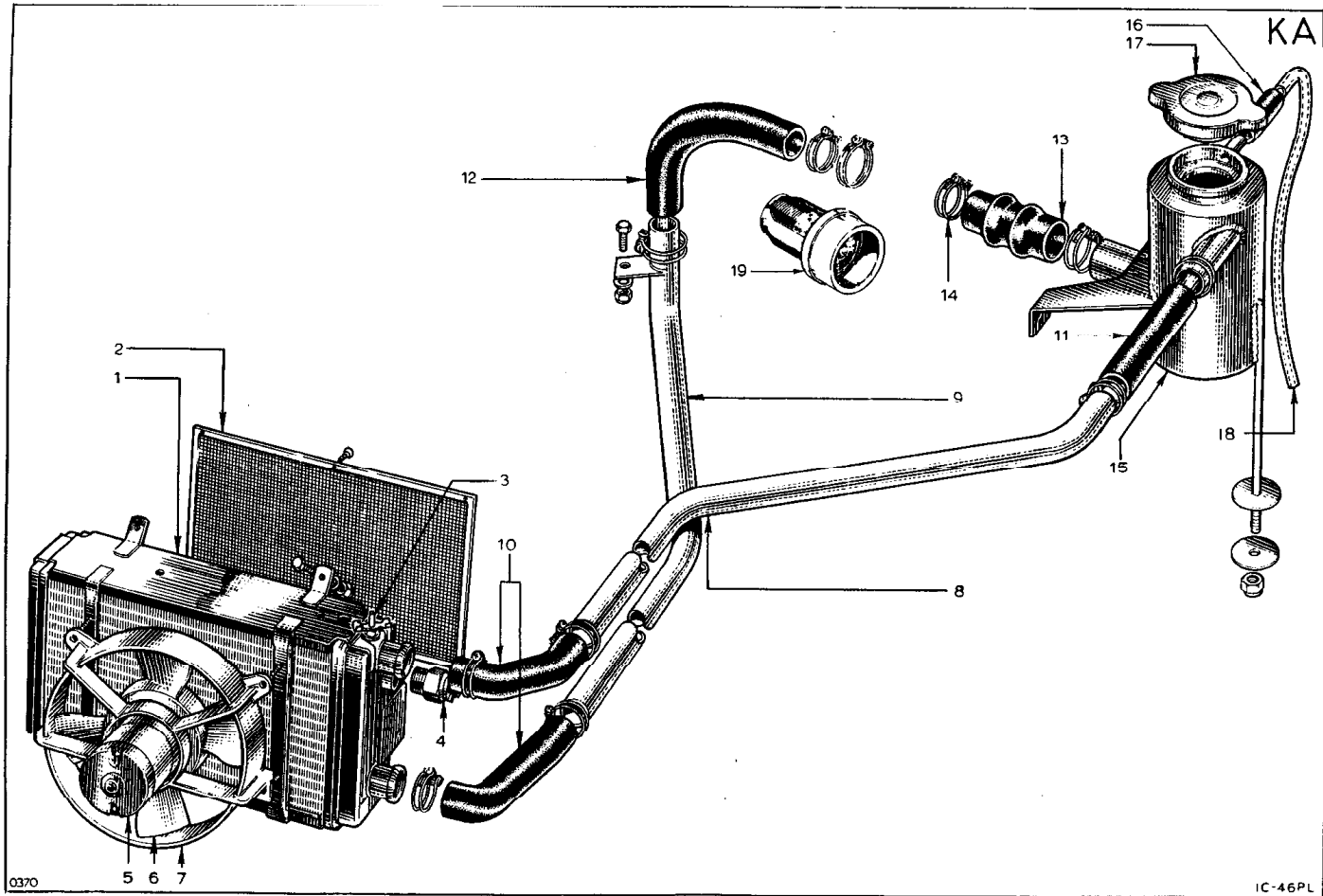


PLATE Ref: No.	PART No.	QUANTITY					STEERING		DESCRIPTION	CHANGE POINT	BULLETIN REFERENCE
		ALL	ST.	ST. Mk I	S2.	S2. Fed.	RH	LH			
KA.1.	046 K 0001	1									
	XUFS 0416	1						Radiator			
	YUPN 040F	1						Screw)			
	A04 W 1609	1						Nut) Radiator to Body - Top			
								Washer)			
	YUPN 040F	2						Nut)			
	A04 W 1609	2						Washer) Radiator to Body - Bottom			
KA.2.	046 K 0001A	1						Radiator Screen			
KA.3.	A054 K 6001	1						Drain Tap			
	046 K 6002	1						Thermal Switch (replaced by 046 K 6009)	From Chassis No. 0920	Service 1968/73	
KA.4.	046 K 6009	1						Thermal Switch			
KA.5.	046 M 6121	1						Fan Motor			
KA.6.	046 M 6124	1						Fan	Up to Chassis No. 7003070113, excluding 0089		
	A054 K 6002	1						Fan	From Chassis No. 7003070114, excluding 0089		
	A046 W 6000	3						Bolt)			
	A046 W 6074	3						Washer) Fan Motor to Housing			
KA.7.	046 K 6008	1						Housing - Fan Motor Mounting			
	YUPN 040F	4						Nut)			
	A04 W 0904	4						Washer) Housing to Radiator			
KA.8.	046 K 0052	1						Transfer Pipe - Swirl-pot to Radiator			
KA.9.	046 K 0053		1	1				Transfer Pipe - Radiator to Engine			
	054 K 0053				1	1		Transfer Pipe - Radiator to Engine			
	046 K 6001	2						Grommet - Transfer Pipes to Chassis			
12.70											

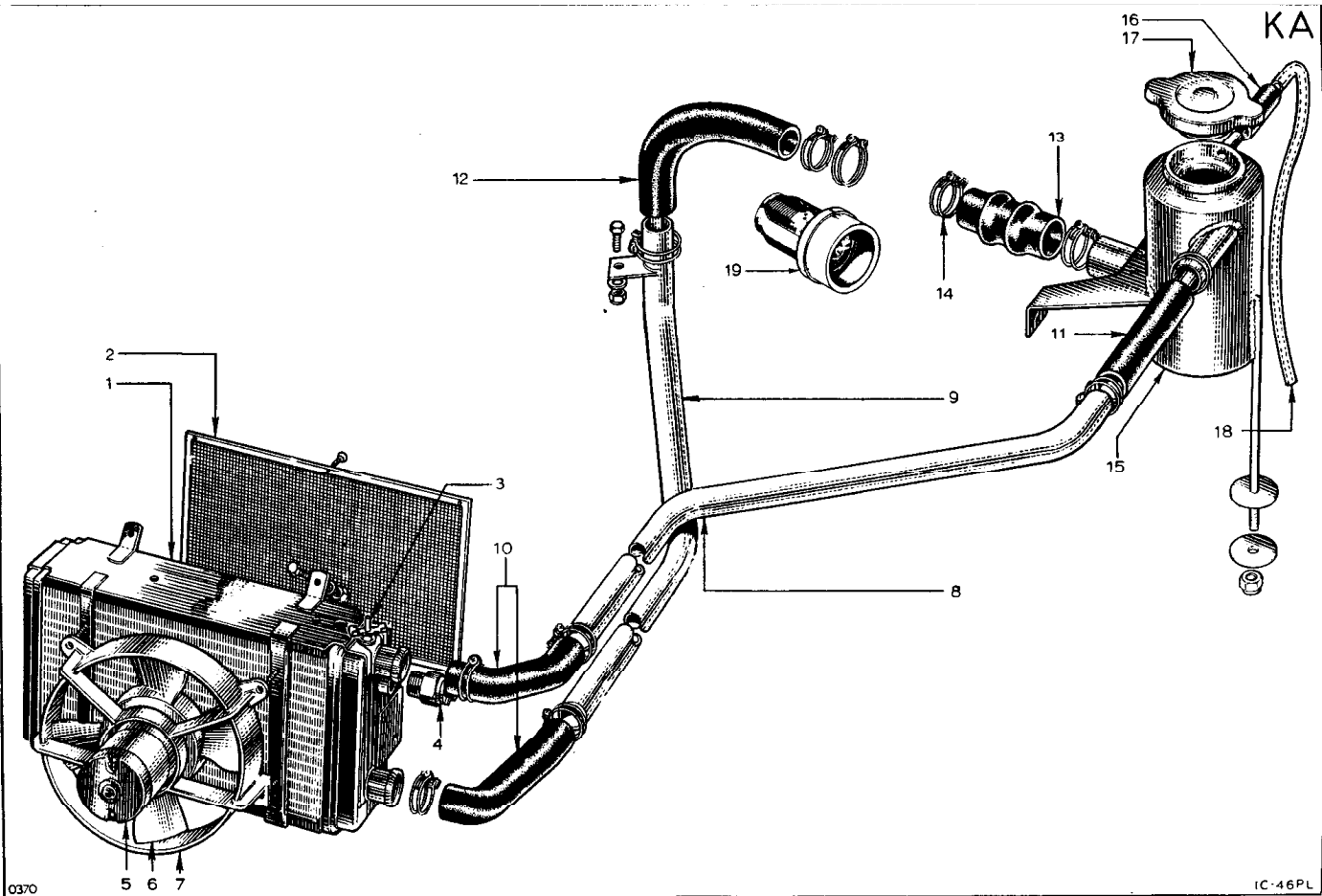


PLATE Ref: No.	PART No.	QUANTITY					STEERING		DESCRIPTION	CHANGE POINT	BULLETIN REFERENCE
		ALL	S1.	S1. Mk 1	S2.	S2. Fed.	RH	LH			
	XUPS 0412	1							Screw)		
	A04 W 0905	1							Washer) Transfer Pipes to Chassis		
	YUPN 040P	1							Nut)		
KA.10.	046 K 0003	2							Hose - Radiator to Transfer Pipe		
KA.11.	046 K 0060	1							Hose - Transfer Pipe to Swirl-pot		
KA.12.	046 K 0012	1							Hose - Transfer Pipe to Engine		
KA.13.	046 K 0011	1							Hose - Engine to Swirl-pot		
KA.14.	046 K 6006	10							Hose clip		
	050 K 0075	2							Hose clip		
	046 K 6007	1							Hose clip		
KA.15.	046 K 0055	1							Swirl-pot		
	YUPN 050P	1							Nut)		
	A05 W 1609	1							Washer) Swirl-pot to Chassis		
KA.16.	J017	1							Sleeve		
KA.17.	046 K 6000	1							Cap		
KA.18.	046 K 0066	1							Tube - Overflow		
KA.19.	046 B 6346	1							Thermostat		

LA

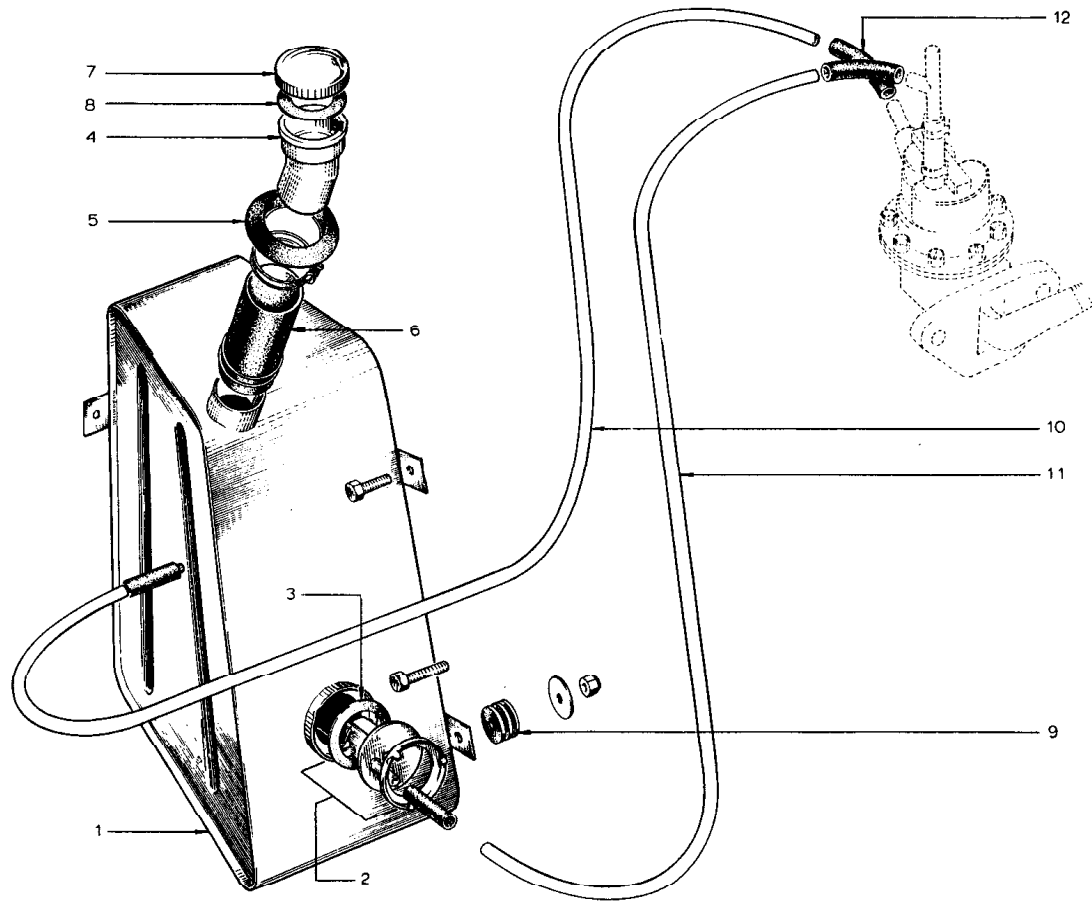


PLATE Ref: No.	PART No.	QUANTITY					STEERING		DESCRIPTION	CHANGE POINT	BULLETIN REFERENCE
		ALL	S1.	S1. Mk 1	S2.	S2. Fed.	RH	LH			
	046 L 0014		1	1							
LA.1.	054 L 0015				1	1			Fuel Tank		
	046 L 6000		1	1					Fuel Level Transmitter		
LA.2.	054 H 6008				1	1			Fuel Level Transmitter		
LA.3.	046 L 6004	1							Gasket - Fuel Level Transmitter		
	046 L 0705		1	1					Filler Neck		
LA.4.	054 L 0705				1	1			Filler Neck		
LA.5.	046 L 6001	1							Grommet - Filler Neck		
LA.6.	046 L 0003	1							Hose - Filler Neck to Tank		
	046 L 6003	2							Clip - Filler Neck Hose		
LA.7.	046 L 6002	1							Cap - Fuel Filler		
LA.8.	046 L 6005	1							Seal Ring - Fuel Filler Cap		
	054 B 6409				-	-			Replaced by A036 L 6019		
LA.9.	A036 L 6019				6	6			Rubber Washer - Fuel Tank Mounting		
	YUPN 050F		2	2					Nut)		
	A05 W 1606		2	2					Washer) Fuel Tank Mounting		
	XUPS 0310				1	1			Screw)		
	A03 W 1606				1	1			Washer) Fuel Tank Mounting, Rear Lug		
	YUPN 030F				1	1			Nut)		
	XUPS 0316				2	2			Screw)		
	A03 W 1606				2	2			Washer) Fuel Tank Mounting,		
	YUPN 030F				2	2			Nut) Top & Bottom Side Lugs		

LA

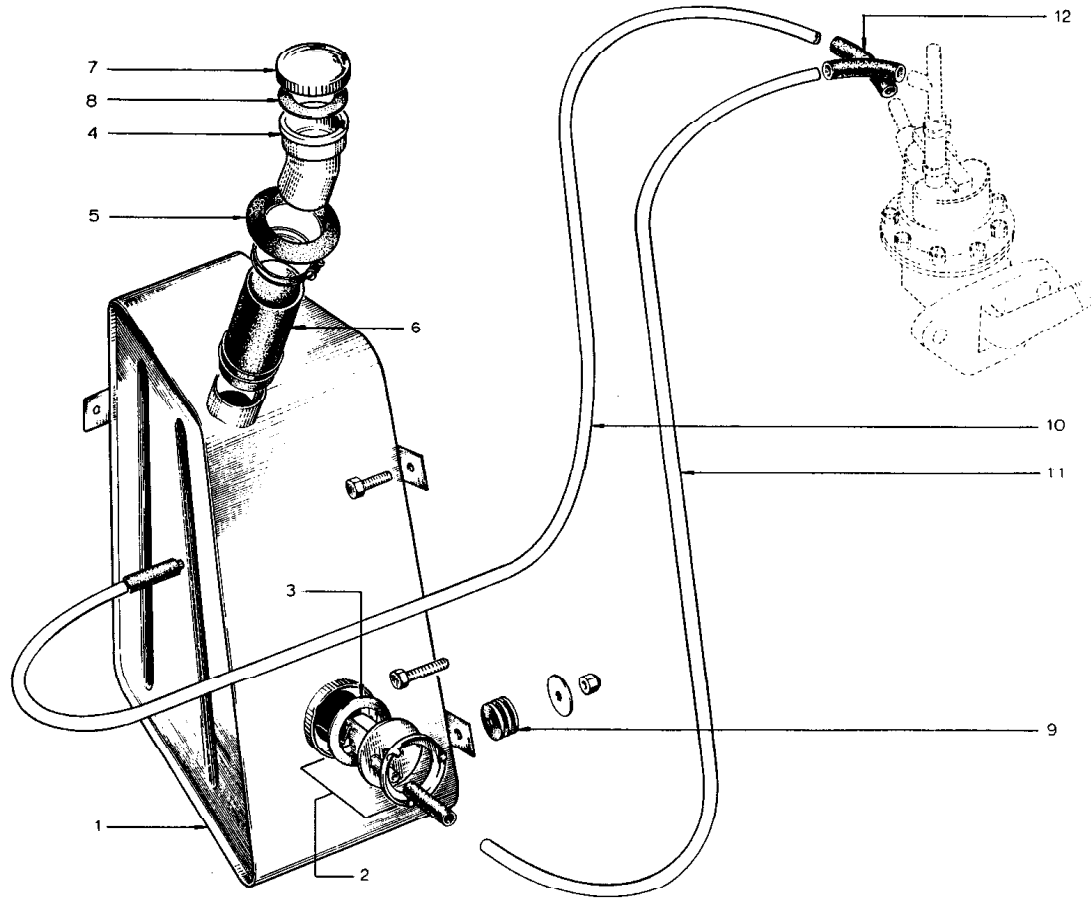


PLATE Ref: No.	PART No.	QUANTITY					STEERING		DESCRIPTION	CHANGE POINT	BULLETIN REFERENCE
		ALL	ST.	ST. MK 1	S2.	S2. Fed.	RH	LH			
	XUFS 0310				1	1			Screw)		
	A03W 1606				1	1			Washer) Fuel Tank Mounting		
	YUPN 030F				1	1			Nut) Centre Side Lug		
	046 L 2000		1	1					Fuel Line - Feed		
LA.10.	054 L 2000				1	1			Fuel Line - Feed		
	046 L 2001		1	1					Fuel Line - Return		
LA.11.	054 L 2001				1	1			Fuel Line - Return		
LA.12.	046 L 6543	4							Sleeve - Fuel Line Connections		

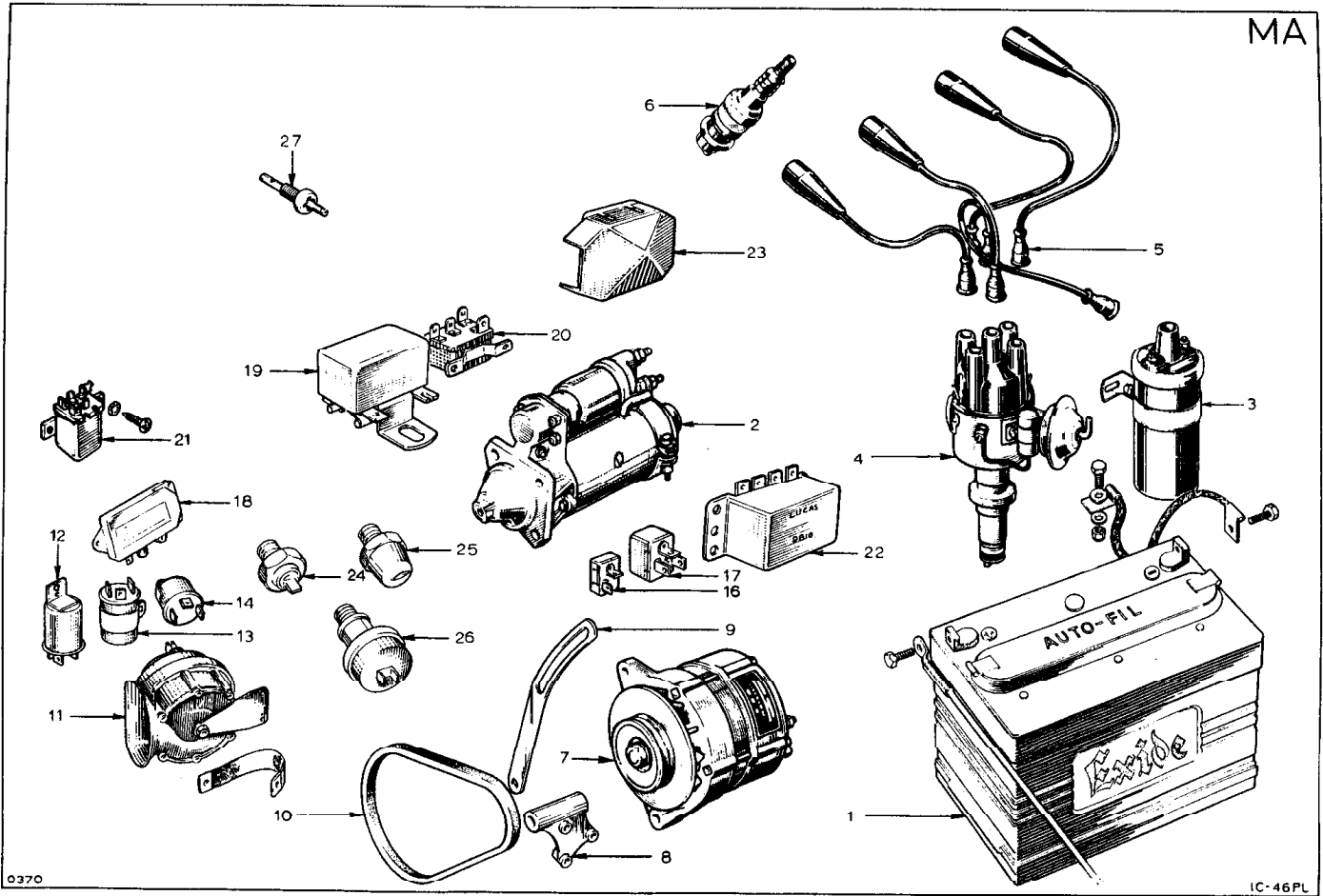


PLATE Ref. No.	PART No.	QUANTITY					STEERING		DESCRIPTION	CHANGE POINT	BULLETIN REFERENCE
		ALL	SI.	SI. Mk I	S2.	S2. Fed.	RH	LH			
	046 M 0719	1						+	Main Loom		
	A046 M 0704			1				+	Main Loom		
	054 M 0704				1				Main Loom	Up to Chassis No.	
	054 M 0704A				1				Main Loom	From Chassis No.	
	A054 M 0704A				1				Main Loom (Sweden)	From Feb. 1970	
	A036 M 6968			8	8				Cable Strap		
	054 M 0786				1				Loom - Brake Fail - Engine Bay		
	054 M 0785				1				Loom - Brake Fail - Facia		
	054 M 0763				1				Loom - Brake Fail and Hazard Warning	From Chassis No. 1066	
	054 M 0785				1				Loom - Brake Fail) Dual Braking system	to	
	054 M 0786				1				Loom - Brake Fail)		
	054 M 0759			1	1				Loom - Window Lift & Radio Speakers		
	054 M 0789			1	1				Loom, Extension - Window Lift	Up to Chassis No.	
	046 M 0725			1	1				Jumper Loom - Steering Column with Lock		
	054 M 0788			1	1				Extension Loom - Window Lift	From Chassis No.	
MA.1.	050 M 0106	1							Earth Lead		
	036 M 6002	1							Battery (dry charged)		
	046 M 0046	1							Cable - Battery to Solenoid		
	026 M 0045	1							Cable - Battery to Earth		
	A026 M 0045	1							Cable - Battery to Earth		
	046 M 0039	1							Bonding Tag - Engine to Chassis		
MA.2.	046 M 6026	1	1						Starter Motor	Up to Engine No.	
	054 M 6007			1	1				Starter Motor	From Engine No.	
	A054 M 6086				1				Starter Motor		
	046 M 6051	1	1						Solenoid	Up to Engine No.	
	054 M 6008			1	1				Solenoid	From Engine No.	
	046 M 6054	1	1						Brush Set	Up to Engine No.	
12.70	054 M 6032			1	1				Brush Set	From Engine No.	

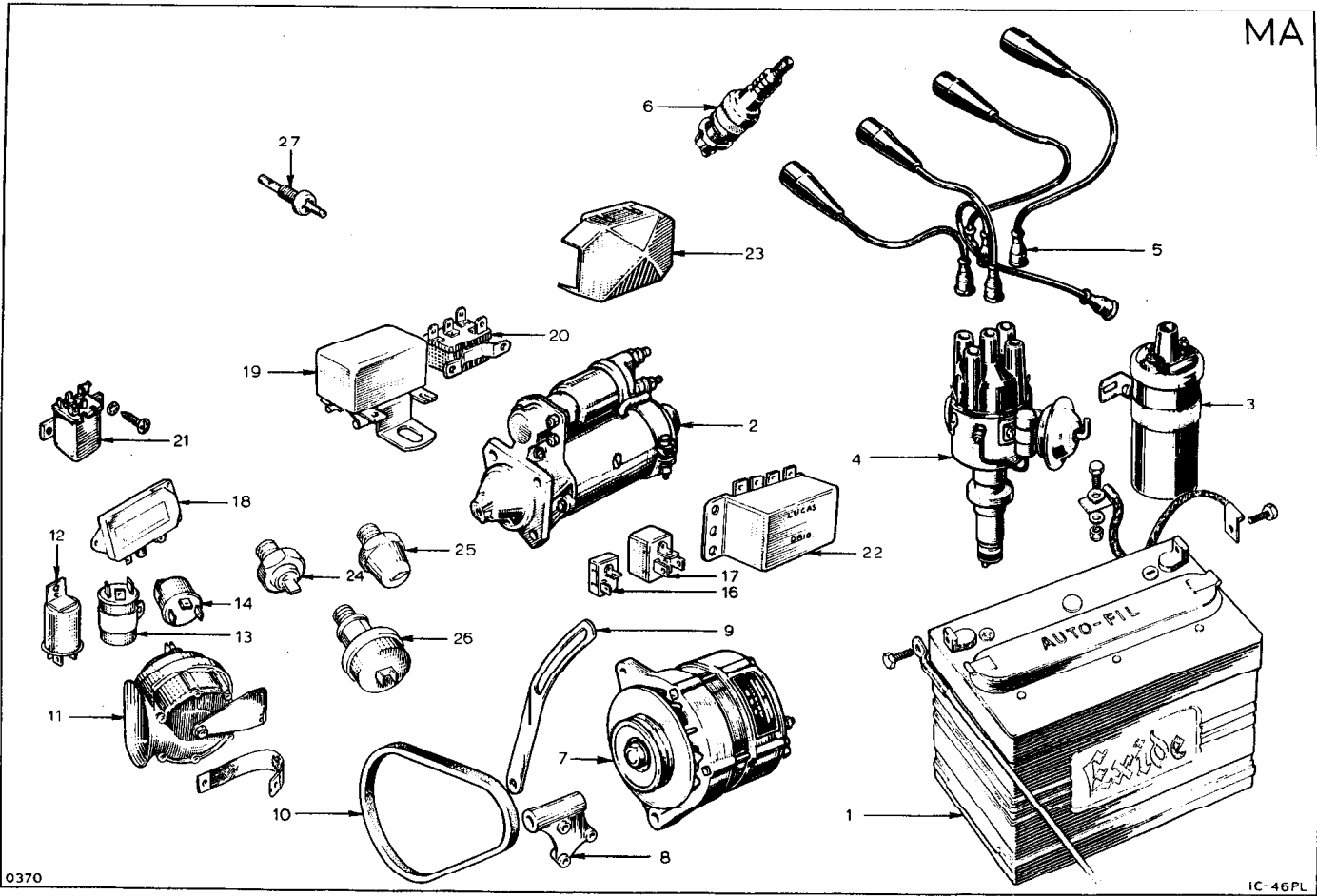


PLATE Ref: No.	PART No.	QUANTITY					STEERING		DESCRIPTION	CHANGE POINT	BULLETIN REFERENCE
		ALL	ST.	ST. Mk 1	S2.	S2. Fed.	RH	LH			
	046 M 6094	1							Ignition Coil		
MA.3.	A046 M 6094	1							Ignition Coil		
MA.4.	046 M 6055		1	1	1				Distributor (697-04)		
	A054 M 6087					1			Distributor (821-30)		
	046 M 6056	1							Distributor Cap		
	046 M 6064	1							Brush - Distributor Cap		
	046 M 6062	1							Rotor Arm		
	046 M 6066	1							Contact Plate Assembly		
	046 M 6063	1							Contact Breaker Set		
	046 M 6061	1							Washer) Contact Breaker Retaining		
	046 M 6060	1							Clip)		
	A046 W 6068	1							Adjusting Screw		
	046 M 6088	1							Vacuum Advance Control		
	046 M 6059	1							Condensor		
MA.5.	A046 M 6116	1							Cable Set		
	046 M 6117	1							Cable, No. 1 Cylinder		
	A046 M 6117	1							Cable, No. 2. Cylinder		
	046 M 6118	1							Cable, No. 3 Cylinder		
	046 M 6119	1							Cable, No. 4 Cylinder		
	046 M 6120	1							Cable, Distributor to Coil		
MA.6.	046 M 6096	4							Sparking Plug) Optional		
	046 M 6097	4							Sparking Plug)		
	046 M 6003								Replaced by A046 M 6003 (697-04)	Up to Engine No. 0389	
									together with:		
									1 off A046 E 6489 Pulley		
									1 off A046 M 6099 Mounting Bracket		
									1 off A046 M 6106 Bolt		
									2 off A046 M 6108 Bolt		
MA.7. 12.70	A046 M 6003	1							Alternator		

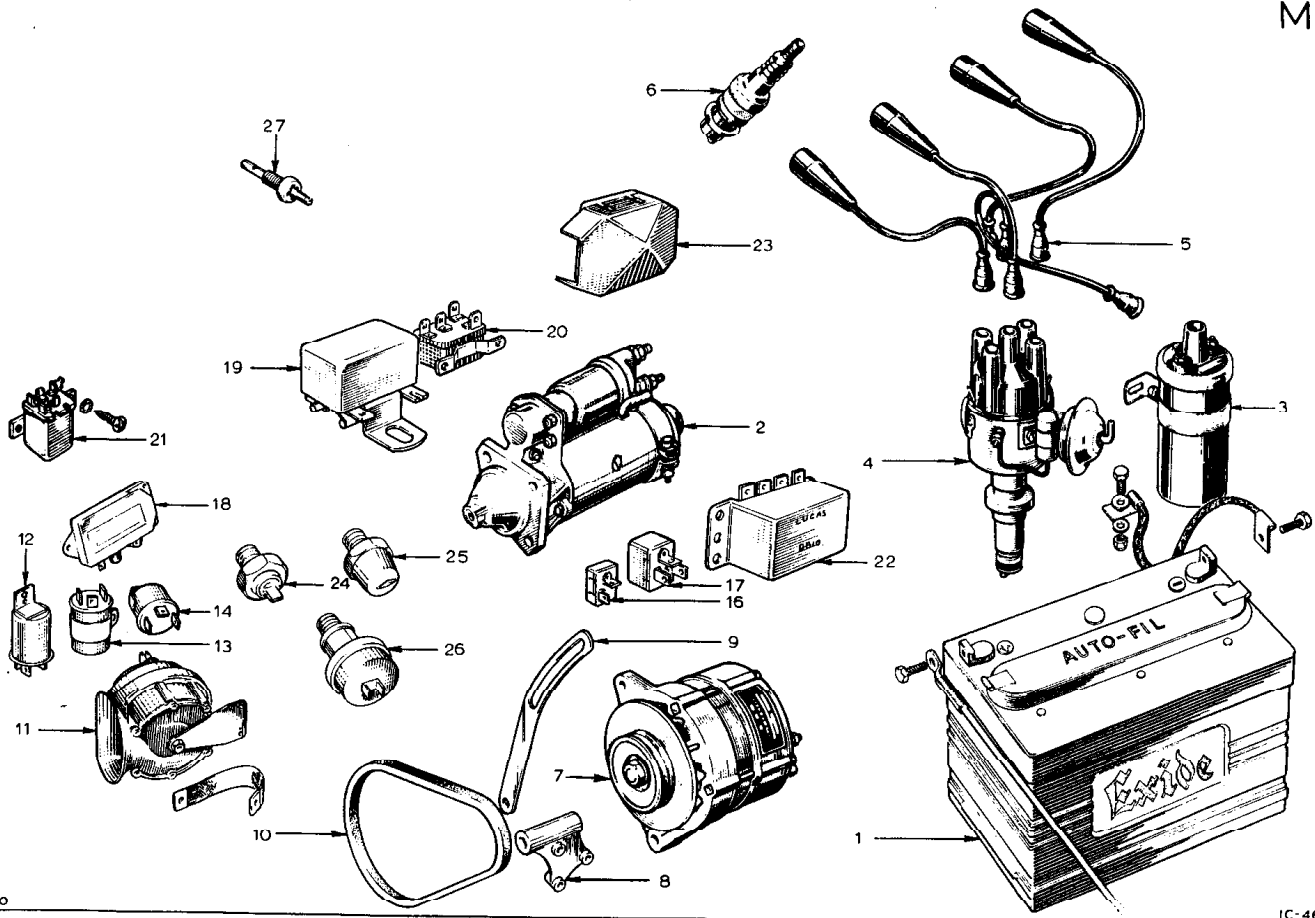


PLATE Ref: No.	PART No.	QUANTITY					STEERING		DESCRIPTION	CHANGE POINT	BULLETIN REFERENCE
		ALL	SI.	SI. Mk 1	S2.	S2. Fed.	RH	LH			
MA.8.	046 M 6099	1							Mounting Bracket, Alternator (697-04) Replaced by A046 M 6099 together with: 1 off A046 M 6106 Bolt 2 off A046 M 6108 Bolt	Upto Engine No. 0389	
	A046 M 6099	1							Mounting Bracket - Alternator (697-04) (821-30)	From Engine No. 0390 From Engine No. 0001	
	046 M 6106	1							Bolt, Alternator Mounting Bracket (697-04)	Upto Engine No. 0389	
	A046 M 6106	1							Bolt, Alternator Mounting Bracket (697-04) (821-30)	From Engine No. 0390 From Engine No. 0001	
	046 M 6108	2							Bolt, Alternator Mounting Bracket (697-04)	Upto Engine No. 0389	
	A046 M 6108	2							Bolt, Alternator Mounting Bracket (697-04) (821-30)	From Engine No. 0390 From Engine No. 0001	
	A046 W 6074	3							Washer, Alternator Mounting Bracket Bolts		
	046 M 6104	1							Bolt)		
	046 M 6101	1							Spacer - Washer)		
	A046 W 6071	1							Washer) Alternator to Mounting Bracket		
	A046 W 6072	1							Lock Washer)		
	046 M 6107	1							Nut)		
MA.9.	046 M 6103	1							Link - Alternator Drive Belt Adjustment		
	A046 W 6076	1							Bolt (697-04))		
	A046 W 6077	1							Bolt (821-30))		
	A046 W 6078	2							Washer) Alternator to		
	A046 W 6016	1							Lock Washer) Adjusting Link		
	A046 W 6079	1							Nut)		

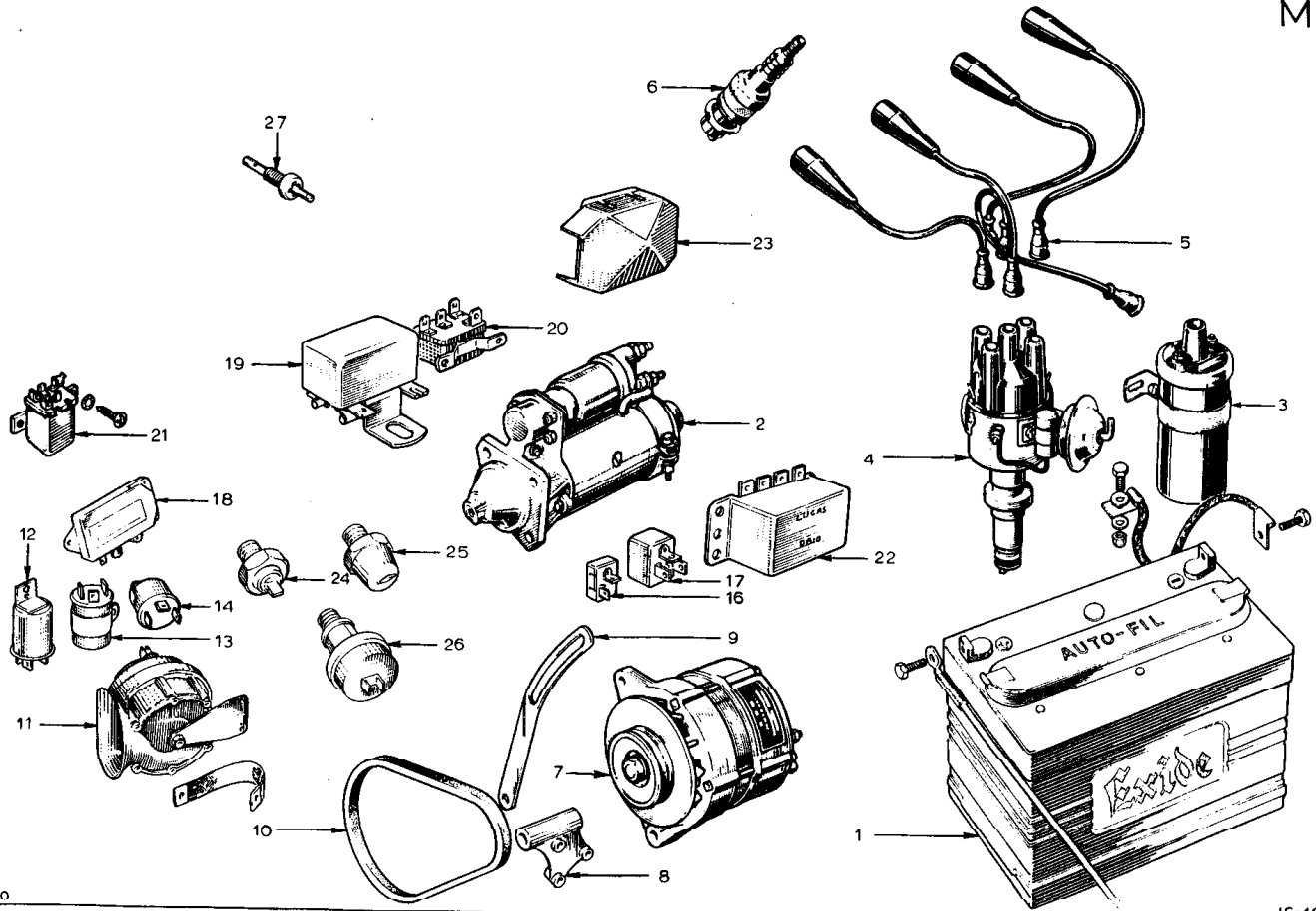


PLATE Ref: No.	PART No.	QUANTITY					STEERING		DESCRIPTION	CHANGE POINT	BULLETIN REFERENCE
		ALL	SI.	SI. Mk 1	S2.	S2. Fed.	RH	LH			
	A046 W 6075	1							Bolt, 8 x 30 mm.)		
	A046 W 6018	1) Adjusting Link to Engine Spring Washer		
MA. 10.	046 M 6109	1							Drive Belt - Alternator		
MA. 11.	036 M 1079	1							Horn - Standard		
	XUPS 0406	2							Bolt)		
	YUPN 040F	2							Nut) Horn Mounting		
	A04W 1606	2							Washer)		
	050 M 6056	1							Air Horn Set - Optional		
	050 B 1526	1							Mounting Bracket - Air Horns		
	XUPS 0412	4							Screw)		
	YUPN 040F	4							Nut) Compressor Mounting		
	A04W 1606	2							Washer)		
	PSTS 0610	2							Screw)		
	036 B 6001	2							Nut) Air Horn Relay Mounting		
MA. 12.	046 M 6168		1	1					Flasher Unit - Indicators	Upto Chassis No. 0541	
MA. 13.	036 M 6270				1				Flasher Unit - Hazard Warning	From Chassis No.	
	036 M 6270					1			Flasher Unit - Hazard Warning	From Chassis No.	
										to	
MA. 14.	036 M 6024				1				Flasher Unit - Indicators	From Chassis No.	
	036 M 6024					1			Flasher Unit - Indicators	From Chassis No.	
										to	
MA. 16.	036 M 6300					1			Flasher Unit - Indicators	From Chassis No.	
										7001 03 0001R	
MA. 17.	036 M 6334					1			Flasher Unit - Hazard Warning	From Chassis No.	
										7001 03 0001R	
03.70											

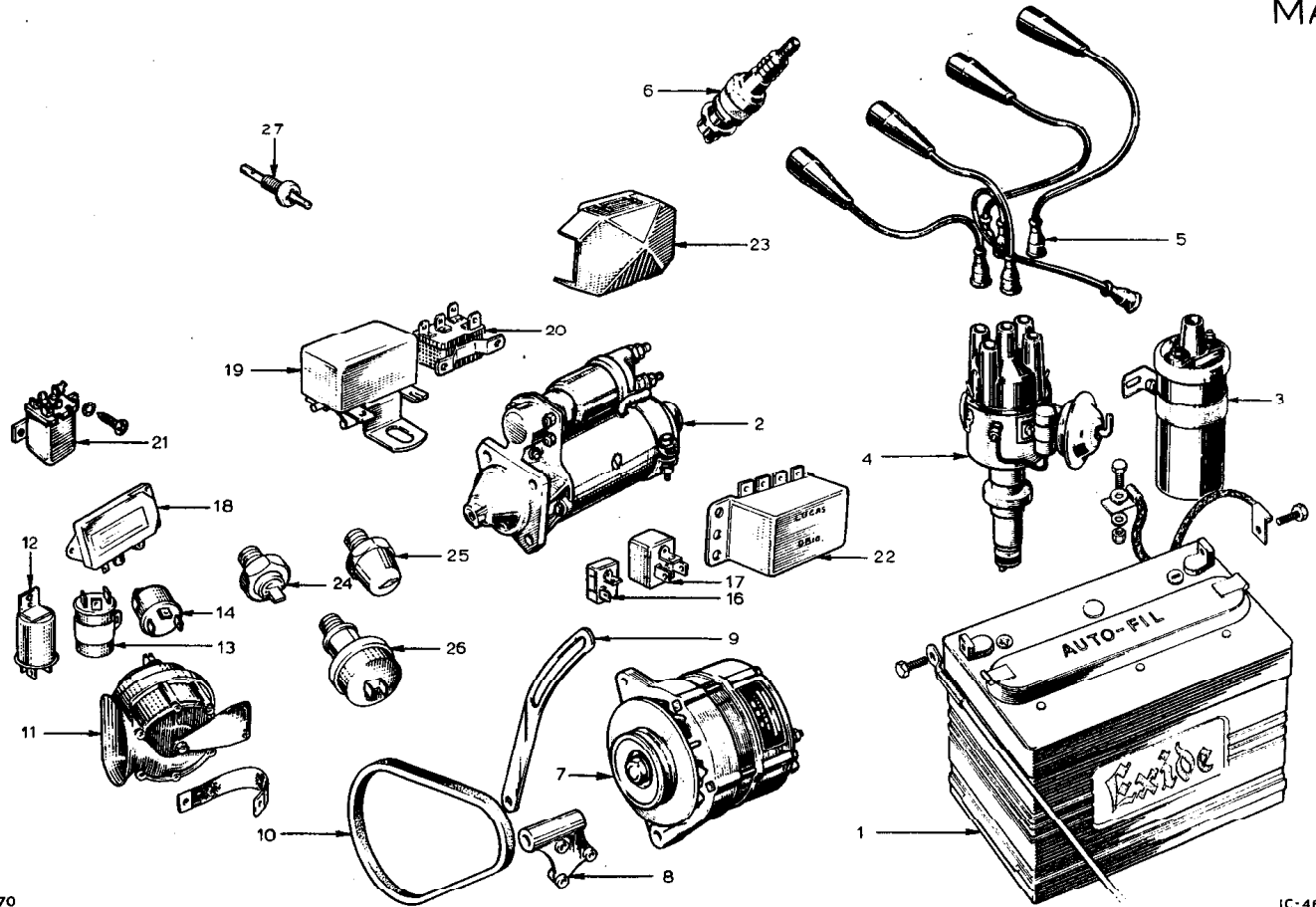


PLATE Ref. No.	PART No.	QUANTITY					STEERING		DESCRIPTION	CHANGE POINT	BULLETIN REFERENCE
		ALL	SI.	SI. Mk 1	S2.	S2. Fed.	RH	LH			
MA.18	046 M 6000		1	1					Regulator		
	046 M 6209				1	1			Regulator (replaced by A054 M 6083)		
MA.19	A054 M 6083				1	1			Regulator	Up to Chassis No.	
	A054 M 6094				1	1			Regulator	From Chassis No.	
MA.20	050 M 6063				1	1			Relay - Alternator Field		
	PSIS 0806				4	4			Screw		
	046 B 6025				4	4			Nut (replaced by 036 B 6001)	Regulator/Relay	
	036 B 6001				4	4			Nut	Mounting	
MA.21	046 M 6002	1							Relay - Fan Motor		
MA.22	A036 M 6326					1			Relay)	From Chassis No.	
	A036 M 0140					1			Earth Cable }	700103000R	
MA.23	046 M 6159	1							Fuse Box		
	036 M 6019	AR							Fuse		
	PSIS 1008	1							Screw)		
	454B	1							Nut } Fuse Box Mounting		
	046 E 6347	1							Thermo Switch - Water (replaced by 046 E 6379)		
MA.24	046 E 6379	1							Thermo Switch - Water		
MA.25	046 M 6095		1	1	1				Switch - Oil Warning Lamp		
	A046 M 6095					1			Switch - Oil Warning Lamp		
	046 M 6093	1							Seal Ring - Oil Warning Lamp Switch		
MA.26	046 E 6378	1							Switch - Oil Pressure		
	046 M 6196				2				Switch - Courtesy Lamp (replaced by 036 M 6266)		
MA.27	036 M 6266				2				Switch - Courtesy Lamp		
	050 M 6006					2	2		Switch - Courtesy Lamp		
	026 M 0059	2							Gasket - Courtesy Lamp		
	036 M 6031				1				Cigar Lighter		
	036 M 6074				1				Element - Cigar Lighter		

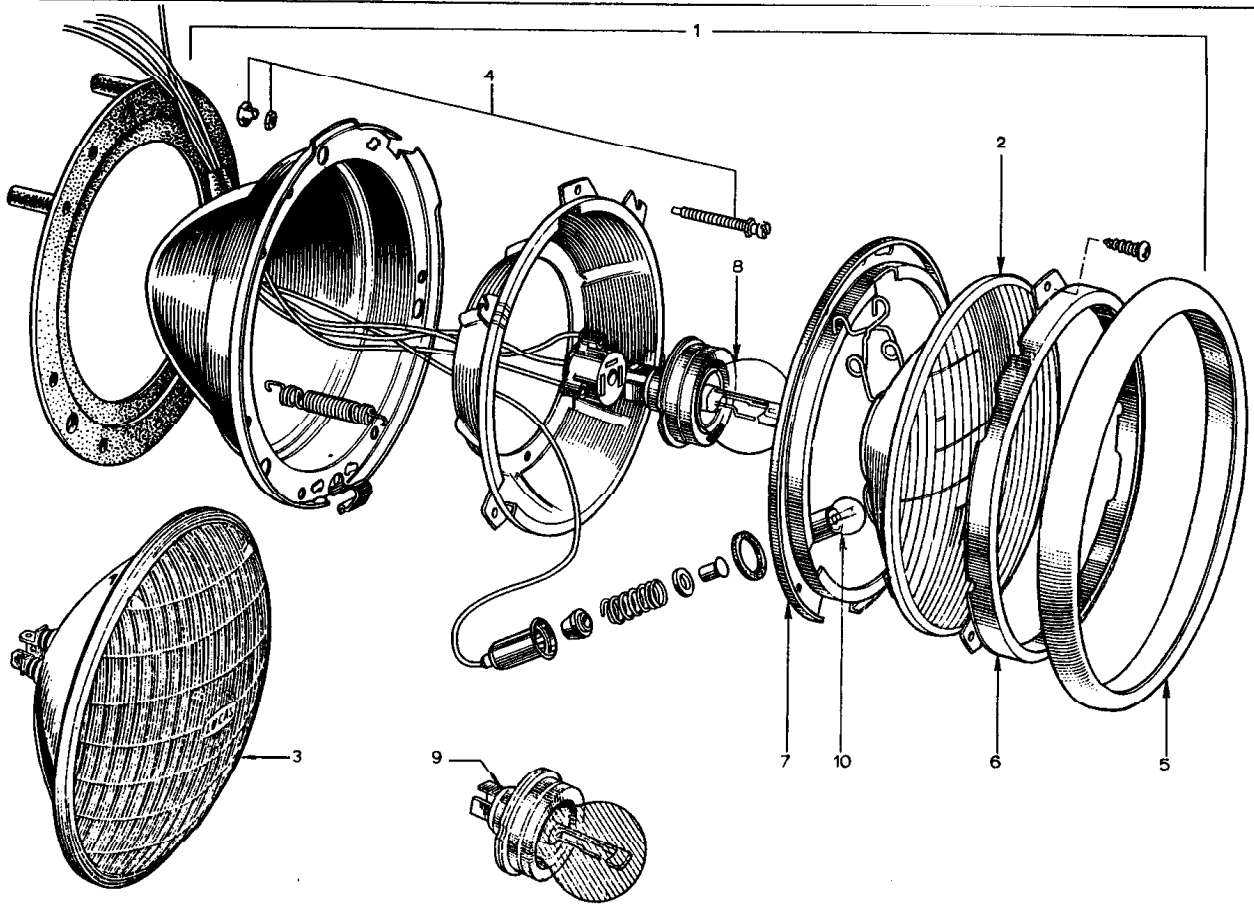


PLATE Ref: No.	PART No.	QUANTITY					STEERING		DESCRIPTION	CHANGE POINT	BULLETIN REFERENCE
		ALL	SI.	S1. Mk 1	S2.	S2. Fed.	RH	LH			
	046 M 6160	2					+		Headlamp, LH dip		
MB.1.	A054 M 6064	2					+		Headlamp, LH dip		
	046 M 6161	2						+	Headlamp, RH dip (Yellow Bulb) France only		
	036 M 6079	2						+	Headlamp, RH dip (Yellow Bulb) France only		
	036 M 6080	2						+	Headlamp, RH dip, U.S.A., Canada & Switzerland		
	036 M 6302	2						+	Headlamp, RH dip, U.S.A., Canada, Switzerland & France		
	036 M 6078	2						+	Headlamp, RH dip Switzerland & Italy		
MB.2.	036 M 6081	2					+		Light Unit, LH dip		
	046 M 6185	2						+	Light Unit, RH dip except U.S.A., Canada and Switzerland		
MB.3.	036 M 6083	2						+	Light Unit, RH dip, U.S.A., Canada & Switzerland		
MB.4.	046 M 6187	2							Trimmer Screw		
	046 M 6186	2							Headlamp Bezel		
MB.5.	036 M 6036	2							Headlamp Bezel		
MB.6.	046 M 6163	2							Headlamp Rim		
	046 M 6162	2							Gasket		
MB.7.	036 M 6044	2							Basket		
MB.8.	A036 M 6360	2							Bulb - except U.S.A., Canada, Switzerland and France		
MB.9.	A036 M 6361 (411)	2							Bulb - France only		
MB.10.	A036 M 6330 (989)	2							Bulb - except U.S.A., Canada & Switzerland		
	RSTS 1014	8							Screw)		
	036 B 6004	8							Nut) Headlamp Mounting		

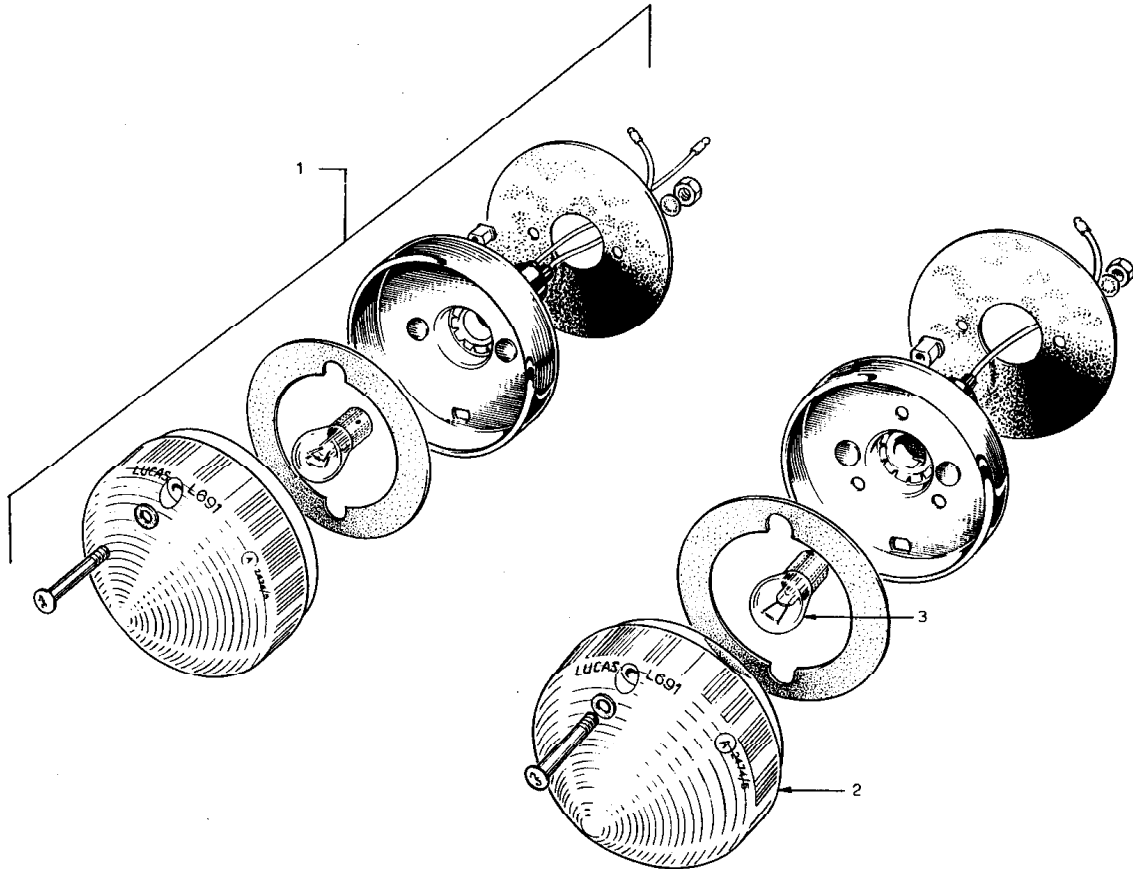


PLATE Ref: No.	PART No.	QUANTITY					STEERING		DESCRIPTION	CHANGE POINT	BULLETIN REFERENCE
		ALL	ST.	ST. Mk 1	S2.	S2. Fed.	RH	LH			
MC.1.	036 M 6252				2				Flasher Lamp except U.S.A., Canada, Switzerland and Italy		
	036 M 6265				2				Parking/Flasher Lamp Switzerland and Italy		
	036 M 6251					2			Parking/Flasher Lamp, U.S.A. and Canada only	Up to Chassis No.	
	036 M 6283					2			Parking/Flasher Lamp, U.S.A. and Canada only	From Chassis No. 7701 03 000R	
MC.2.	A036 M 6323				2				Lens - White		
	A036 M 6323					2			Lens - White	Up to Chassis No.	
	A036 H 6324				2				Lens - Amber		
	A036 H 6372					2			Lens - Amber		
MC.3.	A036 M 6331 (380)				2	2			Bulb - Parking/Flasher Light		
	A036 M 6329 (382)					2			Bulb - Parking Light		

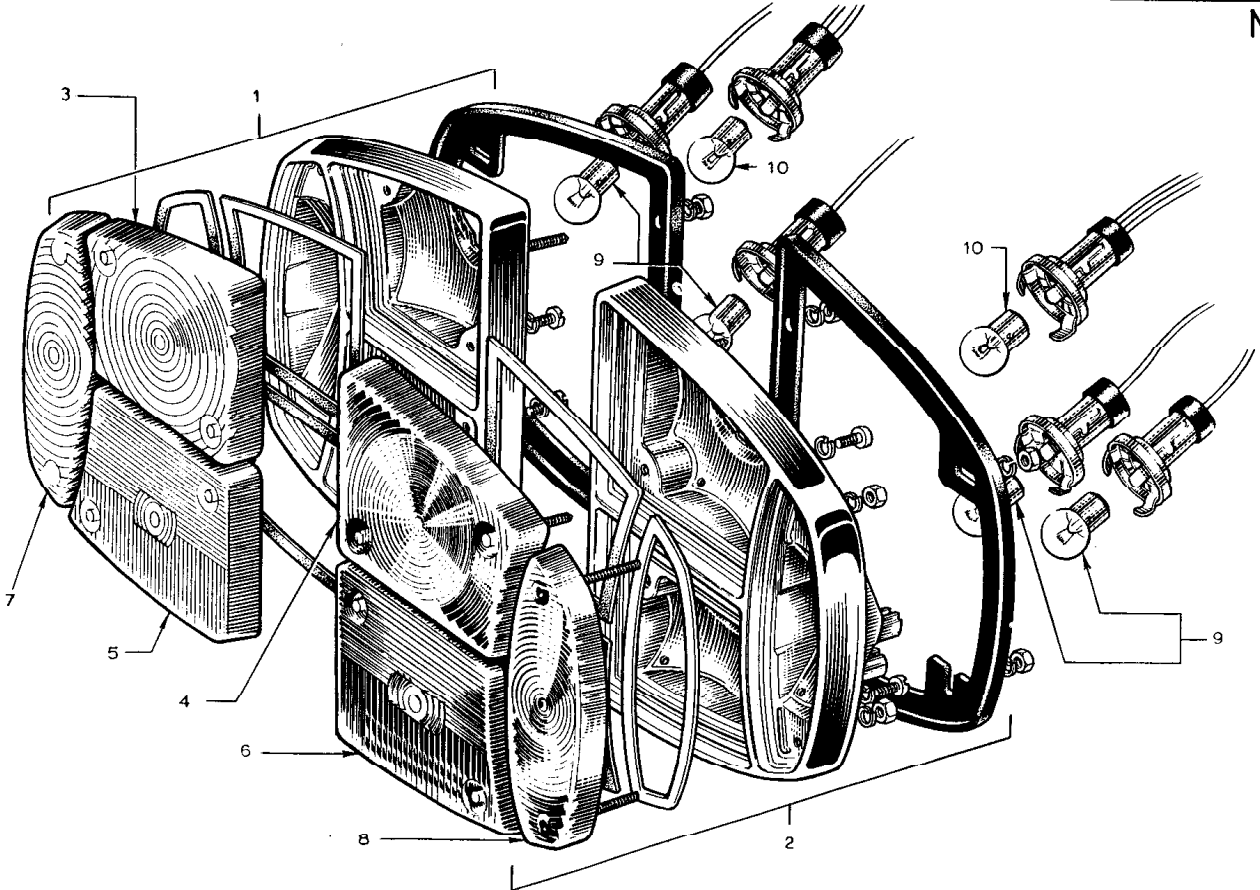
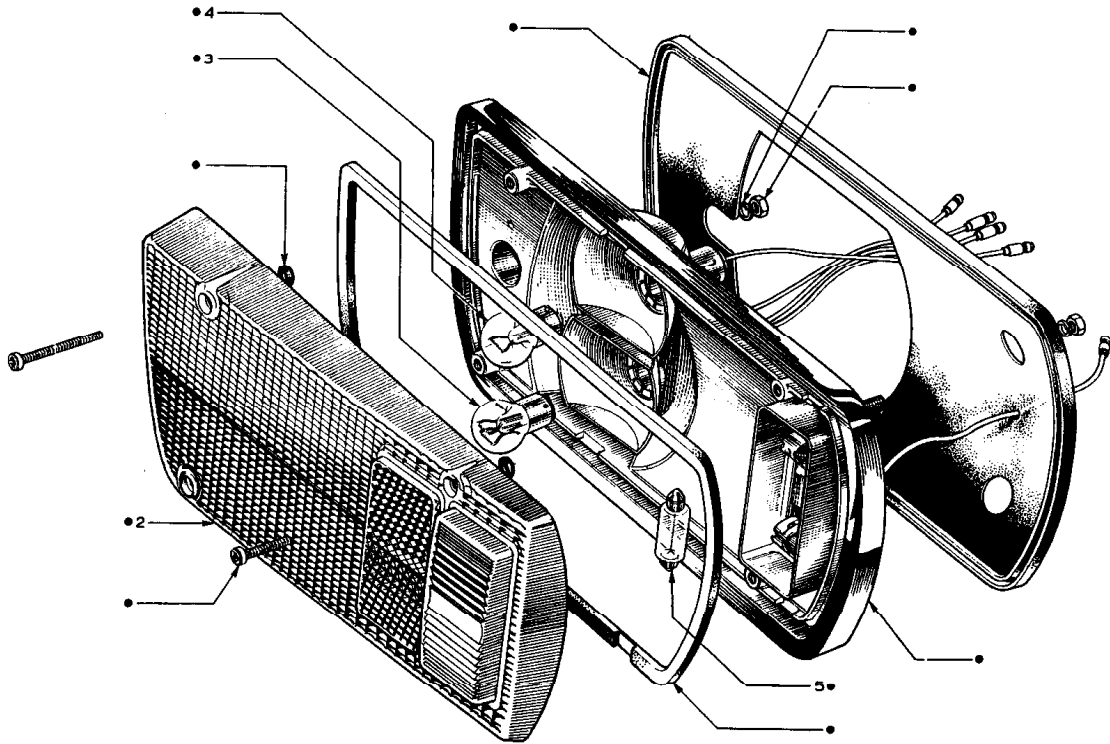


PLATE Ref: No.	PART No.	QUANTITY					STEERING		DESCRIPTION	CHANGE POINT	BULLETIN REFERENCE	
		ALL	S1.	S1. Mk 1	S2.	S2. Fed.	RH	LH				
ND.1.	046 M 6142		1	1							Rear Lamp Assembly LH	Upto Chassis No. 0541
ND.2.	046 M 6143		1	1							Rear Lamp Assembly RH	Upto Chassis No. 0541
ND.3.	046 M 6189		1	1							Lens	Upto Chassis No. 0541
ND.4.	046 M 6192		1	1							Lens	Upto Chassis No. 0541
ND.5.	046 M 6191		1	1							Lens	Upto Chassis No. 0541
ND.6.	046 M 6194		1	1							Lens	Upto Chassis No. 0541
ND.7.	046 M 6190		1	1							Lens - Indicator LH	Upto Chassis No. 0541
	046 M 6193		-	-							Replaced by 046 M 6190	
ND.8.	046 M 6190		1	1							Lens - Indicator RH	Upto Chassis No. 0541
ND.9.	A036 M 6329 (382)		4	4							Bulb	Upto Chassis No. 0541
ND.10.	A036 M 6331 (380)		2	2							Bulb	Upto Chassis No. 0541



● PART OF -1

PLATE Ref: No.	PART No.	QUANTITY					STEERING		DESCRIPTION	CHANGE POINT	BULLETIN REFERENCE
		ALL	SI.	SI. Mk 1	S2.	S2. Fed.	RH	LH			
ME.1.	050 M 6059			1	1				Rear Lamp Assembly LH	From Chassis No. 0542	
	050 M 6060			1	1				Rear Lamp Assembly RH	From Chassis No. 0542	
	050 M 6077					1			Rear Lamp Assembly LH	From Chassis No. 1066	
	A054 M 6081					1			Rear Lamp Assembly LH	to From Chassis No. 7001 03 0001R	
	050 M 6078					1			Rear Lamp Assembly RH	From Chassis No. 1066	
	A054 M 6080					1			Rear Lamp Assembly RH	to From Chassis No. 7001 03 0001R	
ME.1.	A054 M 6080					1			Rear Lamp Assembly RH	From Chassis No.	
	A054 M 6081					1			Rear Lamp Assembly LH	From Chassis No.	
	050 M 6061			1	1				Lens LH	From Chassis No. 0542	
	050 M 6062			1	1				Lens RH	From Chassis No. 0542	
	050 M 6079					1			Lens LH	From Chassis No. 1066	
	050 M 6080					1			Lens RH	From Chassis No. 1066	
	A054 M 6095					1			Lens LH	From Chassis No. 7001 03 0001 R	
	A054 M 6096					1			Lens RH	From Chassis No. 7001 03 0001 R	
	ME.3.	A036 M 6331 (380)	2						Bulb - Stop - Tail	From Chassis No. 0542	
	ME.4.	A036 M 6329 (382)	2						Bulb - Flasher	From Chassis No. 0542	
ME.5.	A036 M 6332 (272)	2							Bulb - Reverse	From Chassis No. 0542	
	XUPB 0308	6							Bolt) Rear Lamp Mounting		
	A034 1606	6							Washer)	From Chassis No. 0542	
	036 M0427				2				Fuse Unit - West Germany only		
	A050 M 6167				2				Fuse 5 amp.		

PLATE Ref. No.	PART No.	QUANTITY					STEERING		DESCRIPTION	CHANGE POINT	BULLETIN REFERENCE
		ALL	ST.	ST. Mk 1	S2.	S2. Fed.	RH	LH			
MP.1.	046 M 6144 (254)		1	1					Number Plate Lamp		
			1	1					Bulb - Number Plate Lamp		
MP.2.	036 M 6253				1	1			Number Plate Lamp		
	DSIS 0612	2							Screw)		
	036 B6001	2							Nut) Number Plate Lamp Mounting		
MP.3.	036 M 6048		1						Interior Lamp		
	066 M 6347		1						Bulb - Interior Lamp		
	PSTS 0616		2						Screw)		
	036 B 6001		2						Nut) Interior Lamp to Bulkhead		
MP.4.	046 M 6165		2	2					Repeater Flasher		
	050 M 6162 (504)		2	2					Bulb		
MP.5.	036 M 6001				2				Repeater Flasher		
	A036 M 6330 (898)				2				Bulb		
MP.6.	036 M 6093					2			Reflector and Bezel - Side Marker - Amber	From Chassis No.	
										to	
	036 M 6092					2			Reflector and Bezel - Side Marker - Red	From Chassis No.	
										to	
MP.7.	W 0083					2			Moulding - Reflector Mounting	From Chassis No.	
										to	
	PSTS 0620					8			Screw)		
	036 B 6001					8			Nut) Reflector Mounting	From Chassis No.	
										to	
MP.8.	036 M 6282					2			Side Marker Lamp - Amber	From Chassis No.	
	036 M 6281					2			Side Marker Lamp - Red	From Chassis No.	
MP.9.	050 B 1852					2			Insert - Side Marker Lamp - Front	From Chassis No.	

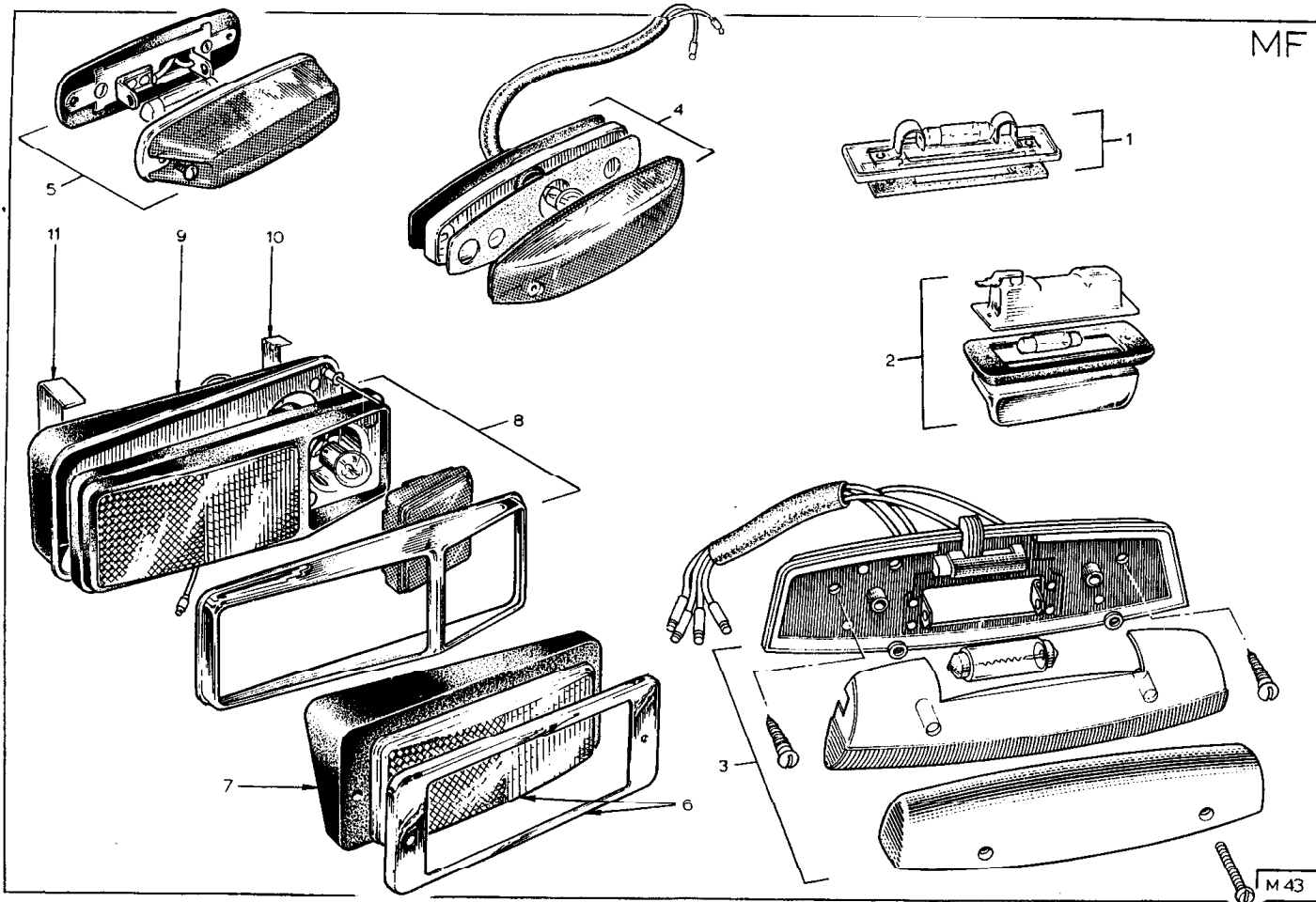
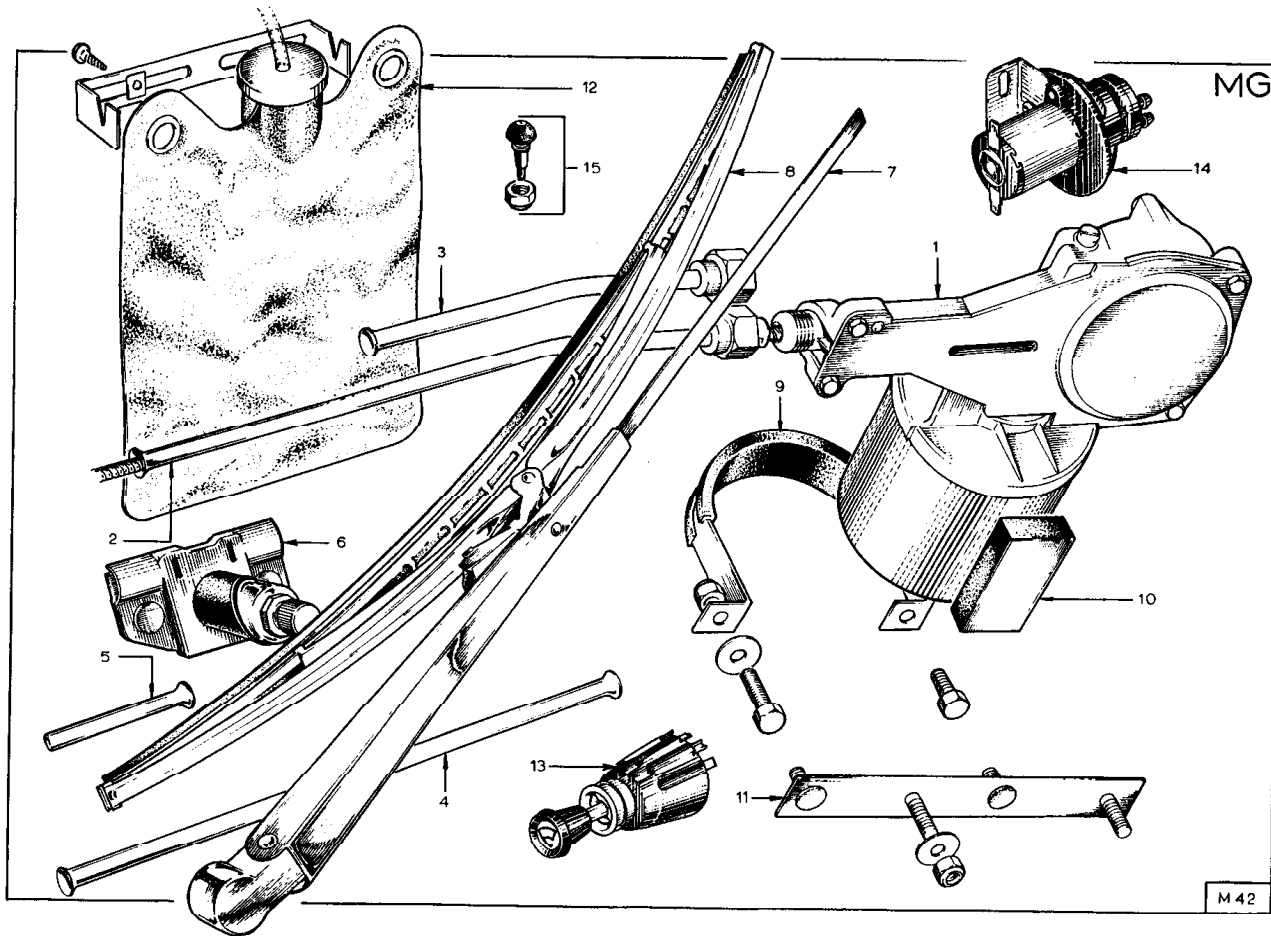


PLATE Ref: No.	PART No.	QUANTITY					STEERING		DESCRIPTION	CHANGE POINT	BULLETIN REFERENCE
		ALL	ST.	ST. MK T	S2.	S2. Fed.	RH	LH			
MP.10.	A050 B 1853					2			Mounting Bracket - Front, Side Marker Lamp)	From Chassis No.	
	A050 B 1854					2			Mounting Bracket - Rear, Side Marker Lamp)	Insert to	From Chassis No.
						8			'Pop' Rivet)	Body	
	054 M 0126					2			Earth Lead		From Chassis No.
	A036 M 6330 (989)					2			Bulb - Side Marker Lamp		From Chassis No.



MG

M 42

PLATE Ref: No.	PART No.	QUANTITY					STEERING		DESCRIPTION	CHANGE POINT	BULLETIN REFERENCE
		ALL	SI.	SI. Mk 1	S2.	S2. Fed.	RH	LH			
MG.1.	046 M 6150		1	1					Windscreen Wiper Motor		
	054 M 6041				1				Windscreen Wiper Motor		
	054 M 6041					1			Windscreen Wiper Motor	Up to Chassis No. 1456	
	054 M 6042					1			Windscreen Wiper Motor	From Chassis No. 1457	
MG.2.	046 M 6154		1	1					Bundy - Motor to Wheelbox		
	054 M 0003				1				Bundy - Motor to Wheelbox		
MG.3.	054 M 0003					1			Bundy - Motor to Wheelbox	Up to Chassis No. 1456	
	A054 M 0010					1			Bundy - Motor to Wheelbox	From Chassis No. 1457	
MG.4.	A054 M 0011					1			Bundy - Wheelbox to Wheelbox	From Chassis No. 1457	
MG.5.	046 M 6155	1							Bundy - Over-run		
	025 M 0012	1							Bundy - Over-run		
MG.6.	046 M 6156		1	1					Wheelbox Assembly		
	036 M 6151		1	1	1				Wheelbox Assembly		
	036 M 6151					1			Wheelbox Assembly	Up to Chassis No. 1456	
	054 M 6056					2			Wheelbox Assembly	From Chassis No. 1457	
MG.7.	046 M 6177		1	1	1				Wiper Arm		
	046 M 6177					1			wiper Arm	Up to Chassis No. 1456	
	054 M 6035					1			Wiper Arm LH	From Chassis No. 1457	
	054 M 6036					1			Wiper Arm RH	From Chassis No. 1457	
MG.8.	046 M 6178		1	1	1				Wiper Blade		
	A036 M 6379					1			Wiper Blade (was 046 M 6178, then A054 M 6090)	Up to Chassis No. 1456	
	054 M 6037					2			Wiper Blade	From Chassis No. 1457	
MG.9.	046 M 6155	1							Mounting Bracket - Wiper Motor		
	RUPS 0406		2	2					Screw)		
	L04W 0000		2	2					Washer) Wiper Motor to Body		
	A04W 0906		2	2					Washer)		

MG

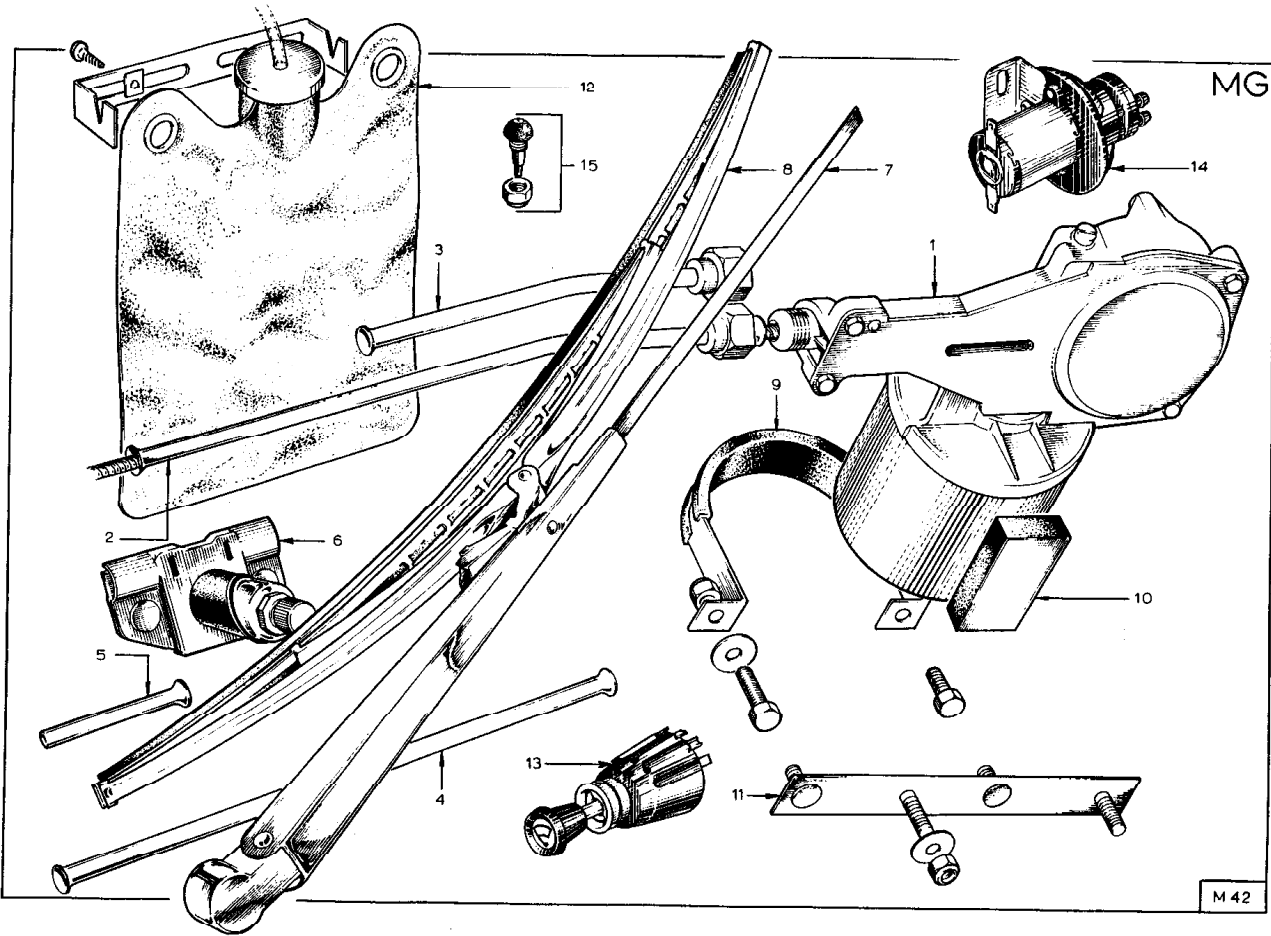
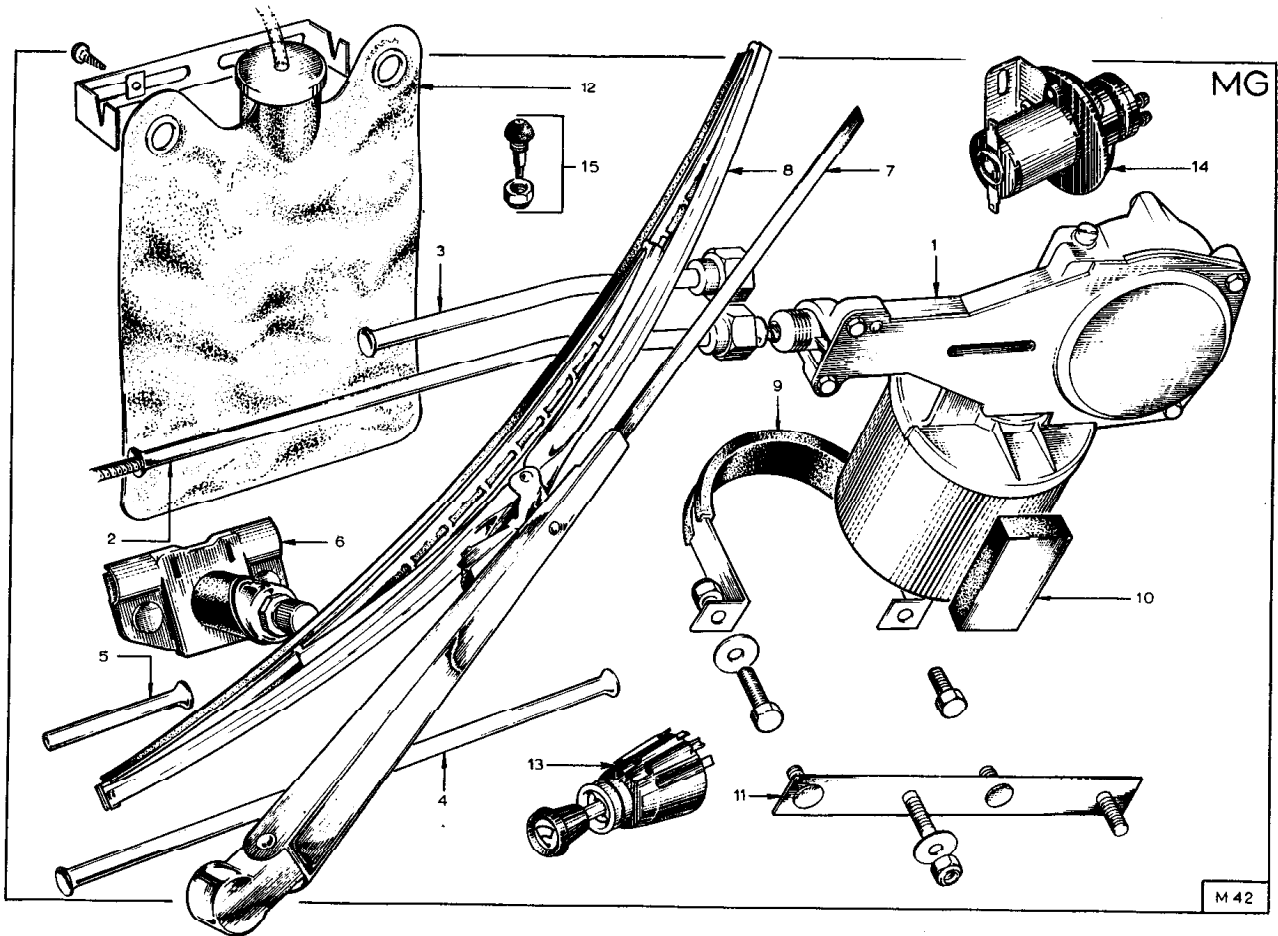


PLATE Ref: No.	PART No.	QUANTITY					STEERING		DESCRIPTION	CHANGE POINT	BULLETIN REFERENCE
		ALL	SI.	SI. Mk 1	S2.	S2. Fed.	RH	LH			
	XUPB 0408				1				Screw)		
	XUPB 0408					1			Screw)	Up to Chassis No. 1456	
	XUPB 0416				1				Screw)		
	XUPB 0416					1			Screw) Wiper Motor to Body	Up to Chassis No. 1456	
	A04W 1606				2				Washer)		
	A04W 1606					2			Washer)	Up to Chassis No. 1456	
	YUPN 040P				2				Nut)		
	YUPN 040P					2			Nut)	Up to Chassis No. 1456	
MG. 10.	046 M 6152	1							Mounting Pad		
MG. 11.	054 M 1677					1			Mounting Bracket - Wiper Motor	From Chassis No. 1457	
	A04W 0904					2			Washer) Mounting Bracket to Bulkhead	From Chassis No. 1457	
	YUPN 040P					2			Nut)		
MG. 12.	046 B 6009	1							Washer Bag	Up to Chassis No.	
	046 B 6134	1							Washer Bag	From Chassis No. to	
	A036 B 6160	1							Washer Bag	From Chassis No.	
	A036 B 6161	1							Washer Bag Top with Valve Assembly	From Chassis No.	
	A036 B 6162	1							Mounting Bracket - Washer Bag	From Chassis No.	
	PSTS 0608	2							Screw) Mounting Bracket to Bulkhead		
	036 B 6001	2							Nut)		
	A036 B 6173	1							Tube - Bag to pump	From Chassis No.	
	A054 M 6057	1							Tube - Pump to Jet/'T' Piece	From Chassis No.	
MG. 13.	050 M 0123				1	1			Switch - Wiper/Washer Pump		
	054 M 6052					1			Switch - Wiper/Washer Pump (Sweden) from Feb. 1970		
	A054 M 6067					1			Knob - Switch		

MG



M 42

PLATE Ref: No.	PART No.	QUANTITY					STEERING		DESCRIPTION	CHANGE POINT	BULLETIN REFERENCE
		ALL	ST.	ST. Mk 1	S2.	S2. Fed.	RH	LH			
MG. 14.	036 M 6284				1				Washer Pump (Sweden)	From Feb. 1970	
	046 B 6010		1	1	1			Jet - Washer (replaced by 046 B 6206)			
	046 B 6206		1	1	1	1		Jet - Washer (replaced by 036 B 6085)			
MG. 15.	036 B 6085					1			Jet - Washer	Up to Chassis No. 1456	
	054 M 6040					2			Jet - Washer		
	046 M 6207					1			'T' Piece (replaced by 054 M 6053)		
	054 M 6053					1			'T' Piece		
	054 M 6055					2			Tube - 'T' piece to Hose		

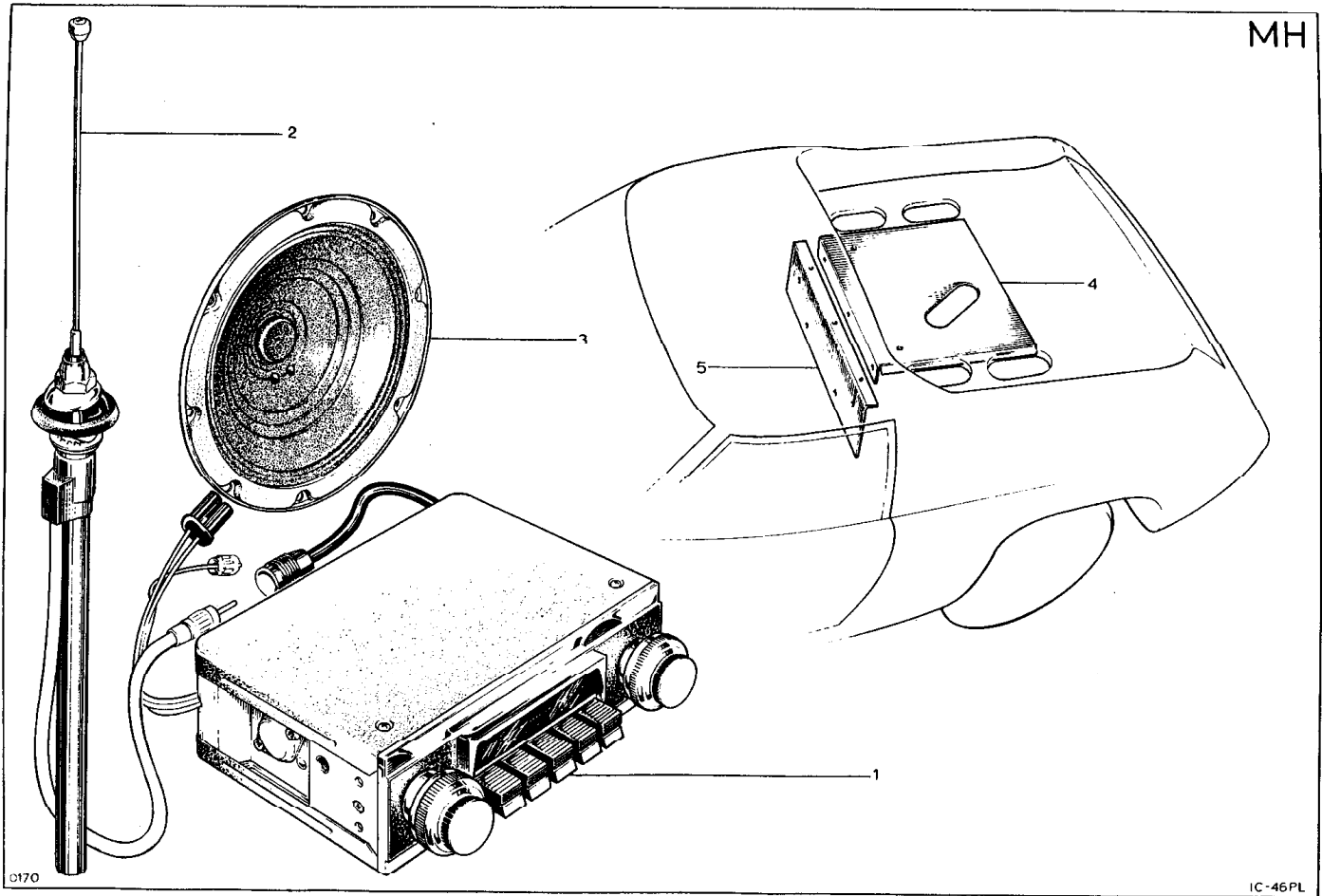


PLATE Ref: No.	PART No.	QUANTITY					STEERING		DESCRIPTION	CHANGE POINT	BULLETIN REFERENCE
		ALL	ST.	ST. Mk 1	S2.	S2. Fed.	RH	LH			
	046 B 6034		-	-							
	046 B 6035		-	-							
NH.1.	054 M 6039		1	1	1					Service III 1969/28	
	054 M 6040					1		Radio Receiver			
MH.2.	054 M 6047				1	1		Aerial			
MH.3.	054 M 6046				1	1		Speaker - Radio			
NH.4.	054 M 0110				1	1		Suppression Plate			
MH.5.	054 M 0111				1	1		Suppression Plate			
	XUPB 0432				2	2		Bolt)			
	A04W 0904				4	4		Washer)	Suppression Plate to Bulkhead		
	YUPN 040P				2	2		Nut)			
	054 M 6148	1							Fitting and Suppression Kit		

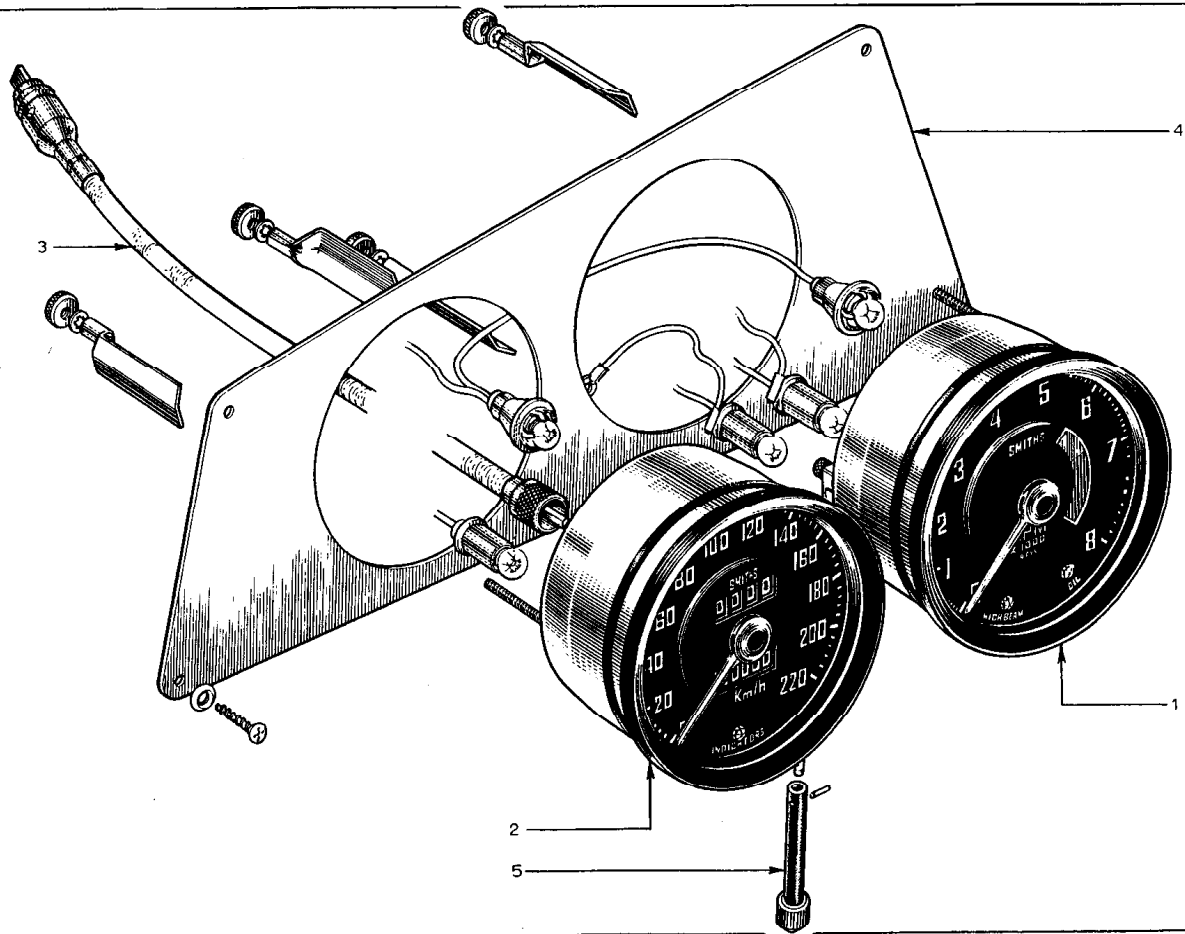


PLATE Ref: No.	PART No.	QUANTITY					STEERING		DESCRIPTION	CHANGE POINT	BULLETIN REFERENCE
		ALL	SI.	SI. Mk 1	S2.	S2. Fed.	RH	LH			
NJ.1.	046 N 6004		1	1					Tachometer		
NJ.2.	046 N 6006		1	1					Speedometer - kph		
	046 N 6005		1	1					Speedometer - mph		
NJ.3.	046 N 6007	1							Speedometer Cable		
NJ.4.	046 B 0237		1					+	Facia - Instrument Panel		
	A046 B 0237			1				+	Facia - Instrument Panel		
	KSTS 0612		4						Screw) Facia Mounting		
	W 0092		4						'Cup' Washer)		
	036 M 6291 (987)	2							Bulb 12v 2.2v		
NJ.5.	046 N 6011		1	1					Speedometer Trip Cable		

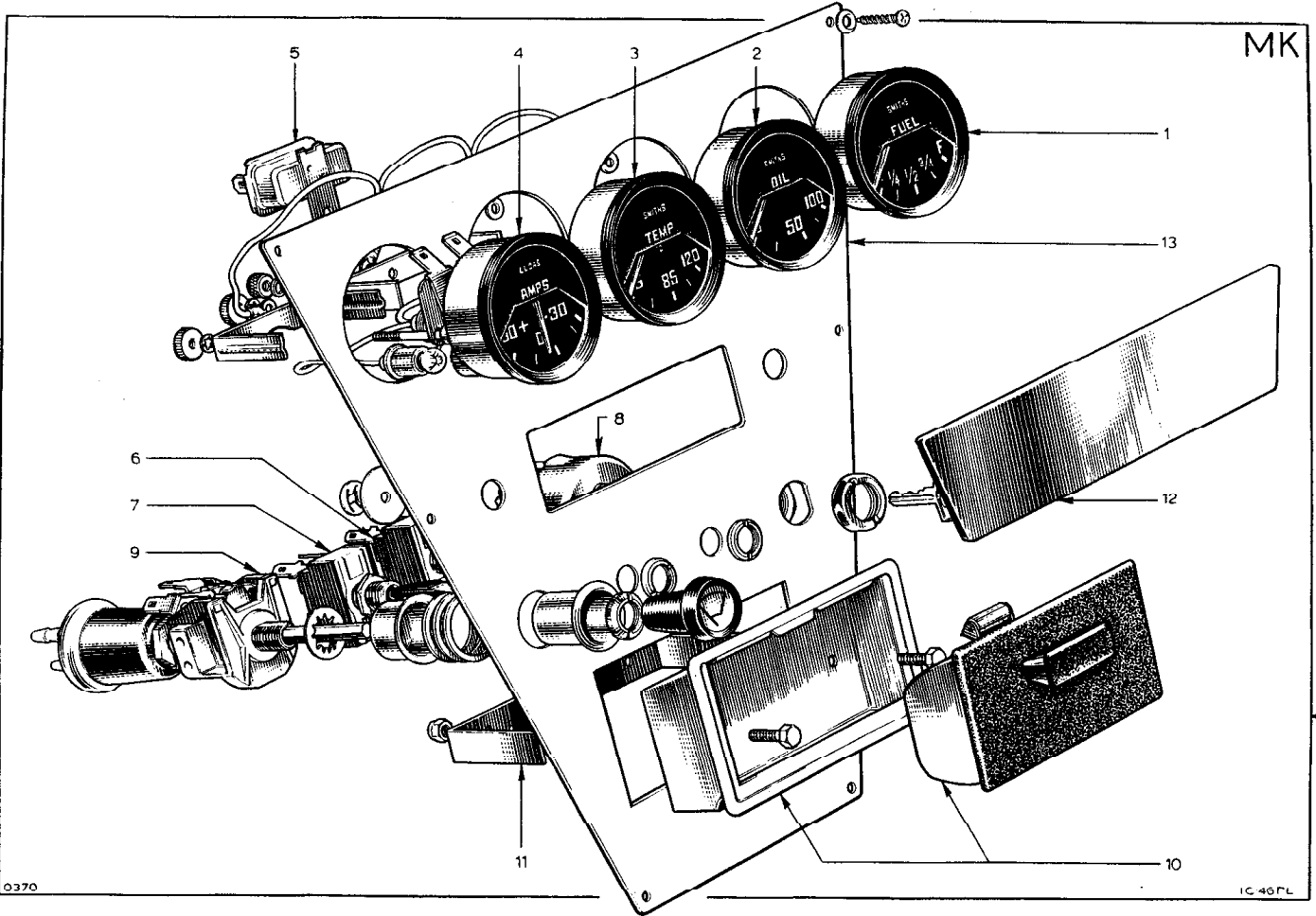


PLATE Ref: No.	PART No.	QUANTITY					STEERING		DESCRIPTION	CHANGE POINT	BULLETIN REFERENCE
		ALL	ST.	ST. Mk 1	S2.	S2. Fed.	RH	LH			
MK.1.	046 N 6000		1	1					Gauge - Fuel		
MK.2.	046 N 6001		1	1					Gauge - Oil Pressure		
MK.3.	046 N 6002		1	1					Gauge - Water Temperature		
MK.4.	046 N 6008		1	1					Gauge - Ammeter		
	036 M 6291 (987)		4	4					Bulb 12v 2.2w		
MK.5.	046 N 6003		1	1					Instrument Stabiliser		
MK.6.	046 M 6147		1	1					Switch - Heater Fan		
MK.7.	046 M 6146		1	1					Switch - Main Lights		
MK.8.	046 M 6158		1	1					Ignition Switch		
MK.9.	046 M 6170		1	1					Switch - Wiper/Wash		
	046 M 6171		1	1					Nut)		
	046 M 6172		1	1					Sleeve) Wiper/Wash Switch to Facia		
	A054 M 6067	1							Knob - Wiper/Wash Switch to Facia		
MK.10.	046 B 6036		1	1					Ashtray		
	054 B 6014				1	1			Ashtray		
MK.11.	046 B 0560		1	1					Mounting Bracket - Ashtray		
	PSTS 0608		2	2					Screw)		
	PSTS 0606				2	2			Screw)		
	036 B 6001		2	2					Nut) Ashtray Mounting		
	054 B 6015				2	2			Nut)		
MK.12.	046 B 6017		1	1					Blanking Panel - Radio		
MK.13.	046 B 4074		1	1					Instrument Console.		
	KSTS 0612		6	6					Screw)		
	W 0092		6	6					'Cup' Washer) Instrument Console Mounting		
03.70											

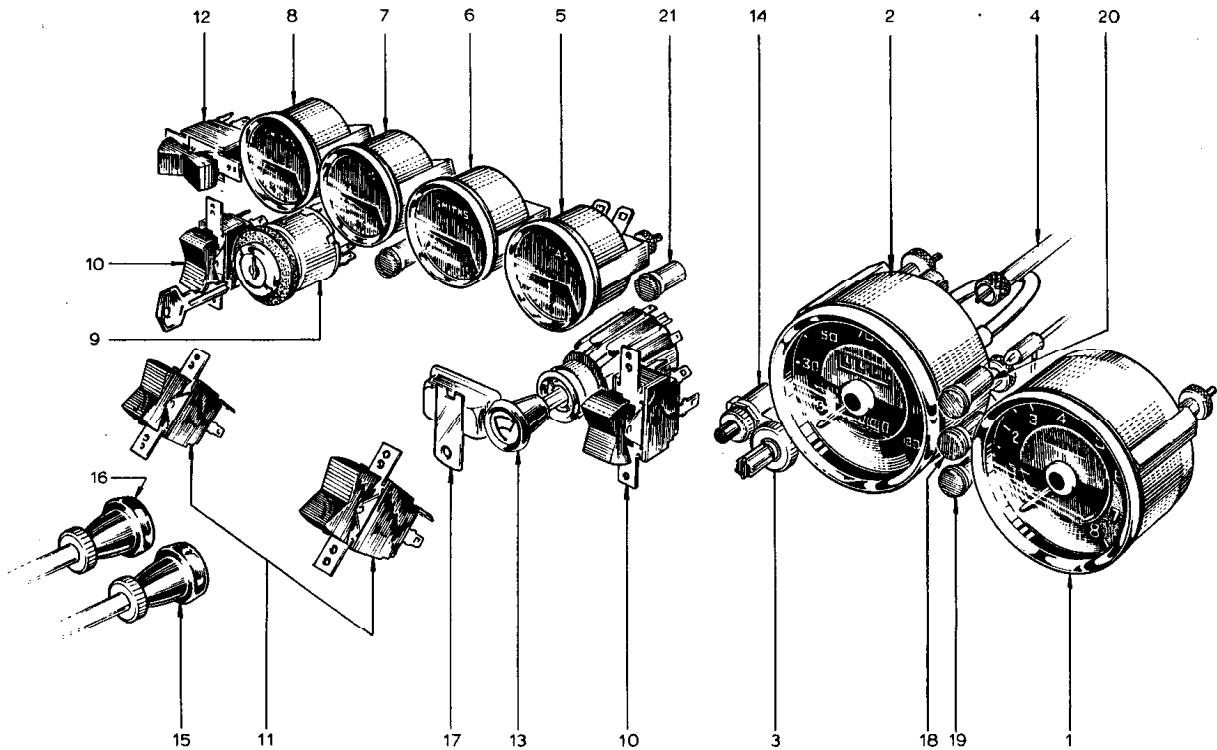


PLATE Ref. No.	PART No.	QUANTITY					STEERING		DESCRIPTION	CHANGE POINT	BULLETIN REFERENCE
		ALL	ST.	ST. Mk 1	S2.	S2. Fed.	RH	LH			
ML.1.	054 N 6001				1	1			Tachometer		
ML.2.	054 N 6002				1	1			Speedometer mph		
	054 N 6003				1			+	Speedometer kph		
ML.3.	054 N 6009				1	1			Speedometer Trip Cable		
ML.4.	046 N 6007	1							Speedometer Cable		
ML.5.	054 N 6004				1	1			Gauge - Ammeter		
ML.6.	054 N 6006				1	1			Gauge - Oil Pressure		
ML.7.	054 N 6005				1	1			Gauge - Water Temperature		
ML.8.	054 N 6007				1	1			Gauge - Fuel		
ML.9.	036 B 6045				1				Ignition Switch		
	036 B 6045					1			Ignition Switch		Up to Chassis No.
	050 B 6455					1			Blank - Ignition Switch Hole		From Chassis No. 7001 03 0001R
ML.10.	054 N 6002				2	2			Switch - Heater Fan/Main Lights		
ML.11.	036 N 6097				2				Switch - Window Lift		
	036 N 6290					2			Switch - Window Lift		
ML.12.	036 N 6094				1				Switch - Blanking		
	036 N 6095				1				Switch - Hazard Warning		Up to Chassis No.
	036 N 6271				1	1			Switch - Hazard Warning		From Chassis No.
	A036 N 6336					1			Switch - Hazard Warning		From Chassis No. 7001 03 0001R
ML.13.	050 M 0123				1	1			Switch - Wiper/Washer Pump		Up to Chassis No.
	A050 M 6052				1	1			Switch - Wiper/Washer		From Chassis No.
ML.14.	036 M 6089					1			Switch - Test, Brake Fail Lamp		
	0 054 B 0038				1	1			Cable - Choke		
ML.15.	A054 B 0038				1	1			Cable - Choke		
	054 B 0037				1	1			Cable - Heater		
ML.16.	A054 B 0037				1	1			Cable - Heater		

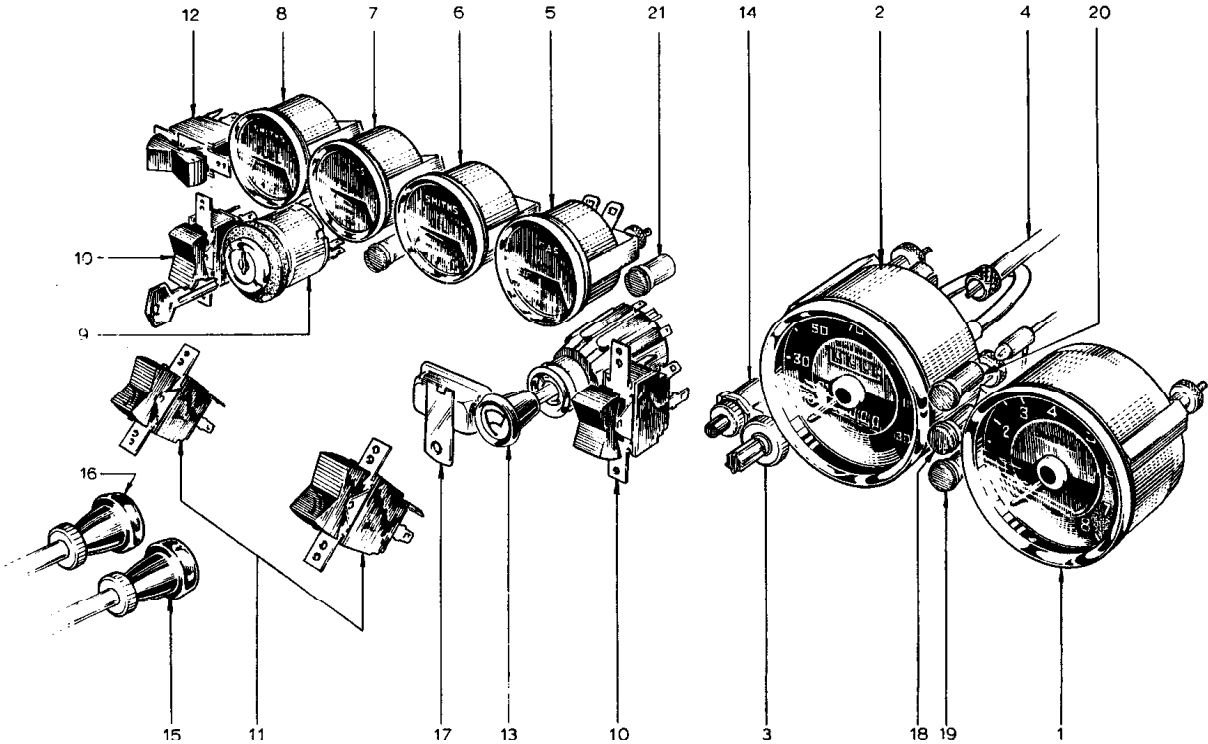


PLATE Ref: No.	PART No.	QUANTITY					STEERING		DESCRIPTION	CHANGE POINT	BULLETIN REFERENCE
		ALL	SI.	SI. Mk 1	S2.	S2. Fed.	RH	LH			
ML. 17.	050 M 6096				1	1			Voltage Stabiliser		
ML. 18.	036 M 6278				1	1			Warning Lamp - Direction Indicator		
ML. 19.	036 M 6277				1	1			Warning Lamp - Oil		
ML. 20.	036 M 6279				1	1			Warning Lamp - High Beam		
ML. 21.	036 M 6277				1				Warning Lamp - Hazard		
	036 M 6277					1			Warning Lamp - Hazard		
A050 M 0151						1			Warning Lamp - Hazard	Upto Chassis No.	
	036 M 6277					1			Warning Lamp - Hazard	From Chassis No.	
	036 M 6291 (987)	AR							Warning Lamp - Brake Fail	7001 03 0001R	
	050 M 6130 (281)	AR							Bulb - Instruments		
	036 B 6114				2				Bulb - Warning Lamps		
									Blanking Plug		

PA

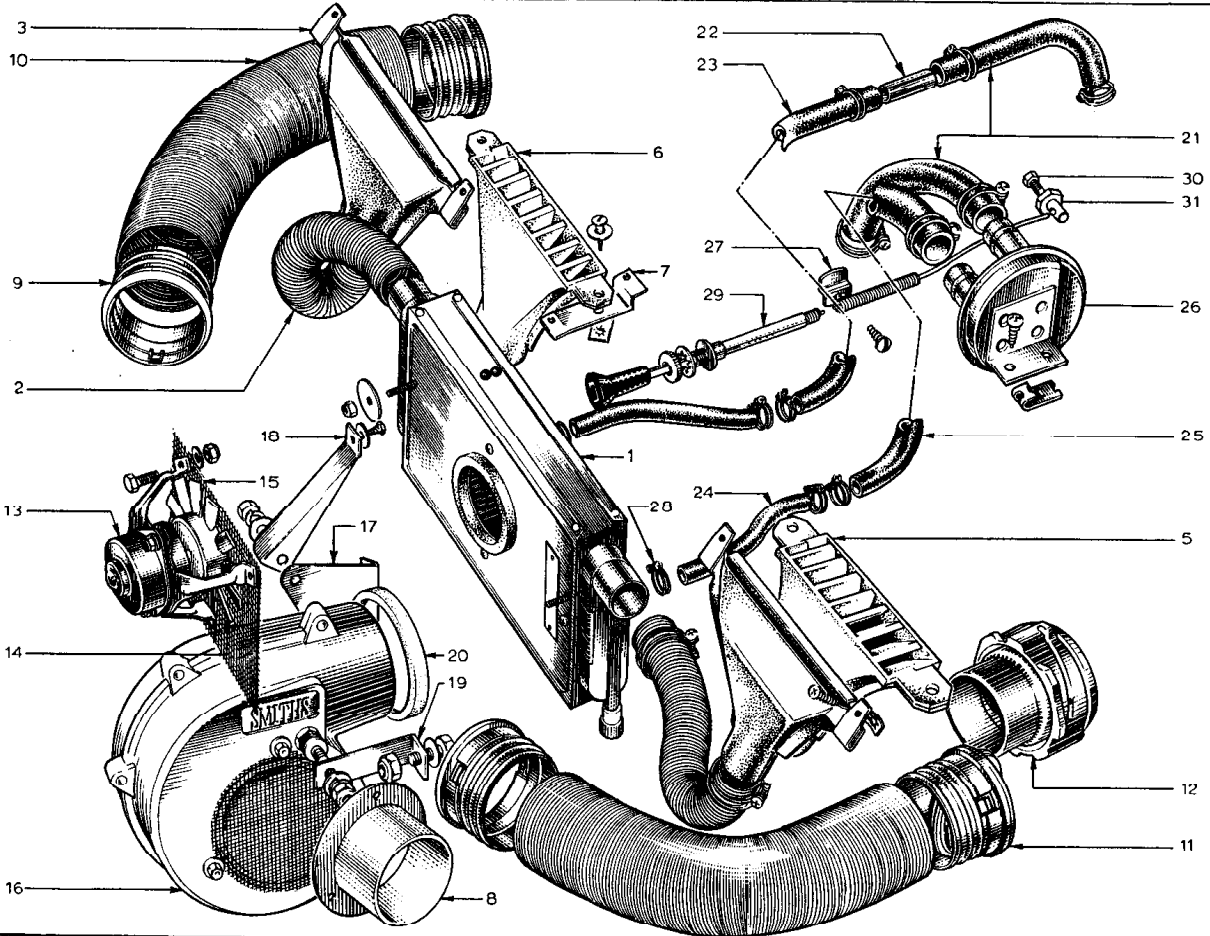
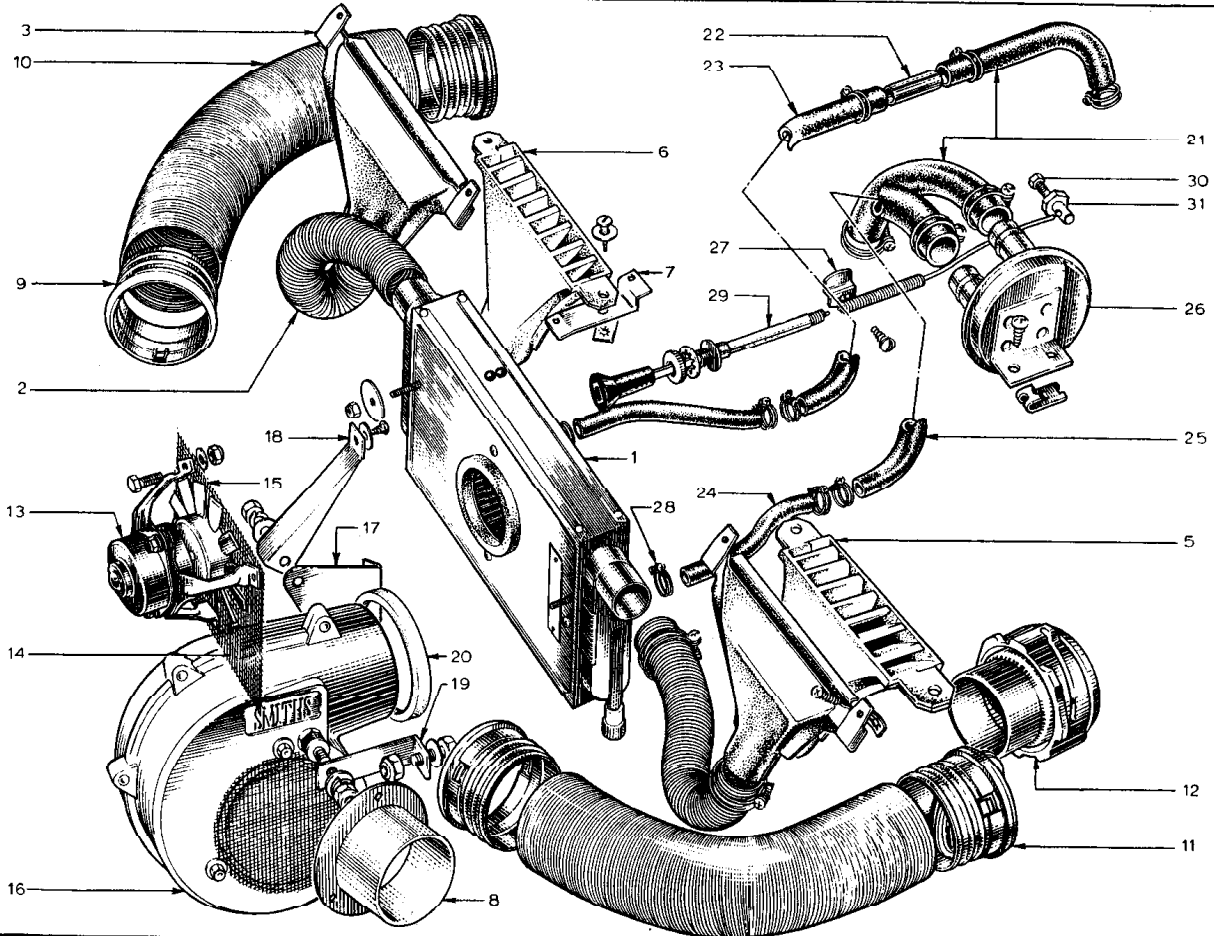


PLATE Ref. No.	PART No.	QUANTITY					STEERING		DESCRIPTION	CHANGE POINT	BULLETIN REFERENCE
		ALL	ST.	ST. Mk 1	SZ.	SZ. Fed.	RH	LH			
PA.1.	046 P 6002		1	1					Heater Unit		
	054 P 0706				1	1			Heater Unit		
	A03W 1606	2							Washer) Heater Unit to Body		
	YUPM 100P	2							Nut)		
PA.2.	046 P 6009	2							Hose - Heater to Demist Nozzle	Up to Chassis No. 1456	
	036 P 0046				2	2			Hose - Heater to Demist Nozzle	From Chassis No. 1457	
	046 P 6010	4							Clip - Demist Nozzle Hose		
PA.3.	046 P 6001	2							Demist Nozzle	Up to Chassis No. 1456	
	050 B 6047				1	1			Demist Nozzle		
PA.5.	054 P 0063				1	1			Demist Nozzle	From Chassis No. 1457	
	050 B 6048				1	1			Demist Nozzle		
PA.6.	054 P 0064				1	1			Demist Nozzle	From Chassis No. 1457	
PA.7.	054 P 0071				4	4			Mounting Bracket - Demist Nozzle	From Chassis No. 1457	
	PSIS 0816				4	4			Screw)		
	A03W 1206				4	4			Washer) Demist Nozzle to Mounting Bracket	From Chassis No. 1457	
	036 B 6002				4	4			Nut)		
	036 B 6035				8	8			Rivet - Mounting Bracket to Bulkhead	From Chassis No. 1457	
PA.8.	054 P 0059				2	2			Tube - Face Level Vent Connection		
PA.9.	046 P 0032	2	2						Tube - Face Level Vent Connection		
PA.10.	046 P 6006	2	2						Hose - Face Level Vent		
	054 P 0020				2	2			Hose - Face Level Vent		
PA.11.	046 P 0030	2	2						Face Level Vent		
PA.12.	046 B 6124				2	2			Face Level Vent		
PA.13.	046 M 6195	1	1	1					Heater Motor		
PA.14.	046 P 6000	1	1	1					Fan - Heater Motor		
PA.15.	054 B 1510				1				Grille - Fan Guard		
	054 B 1510					1			Grille - Fan Guard	Up to Chassis No. 1456	
12.70											

PA

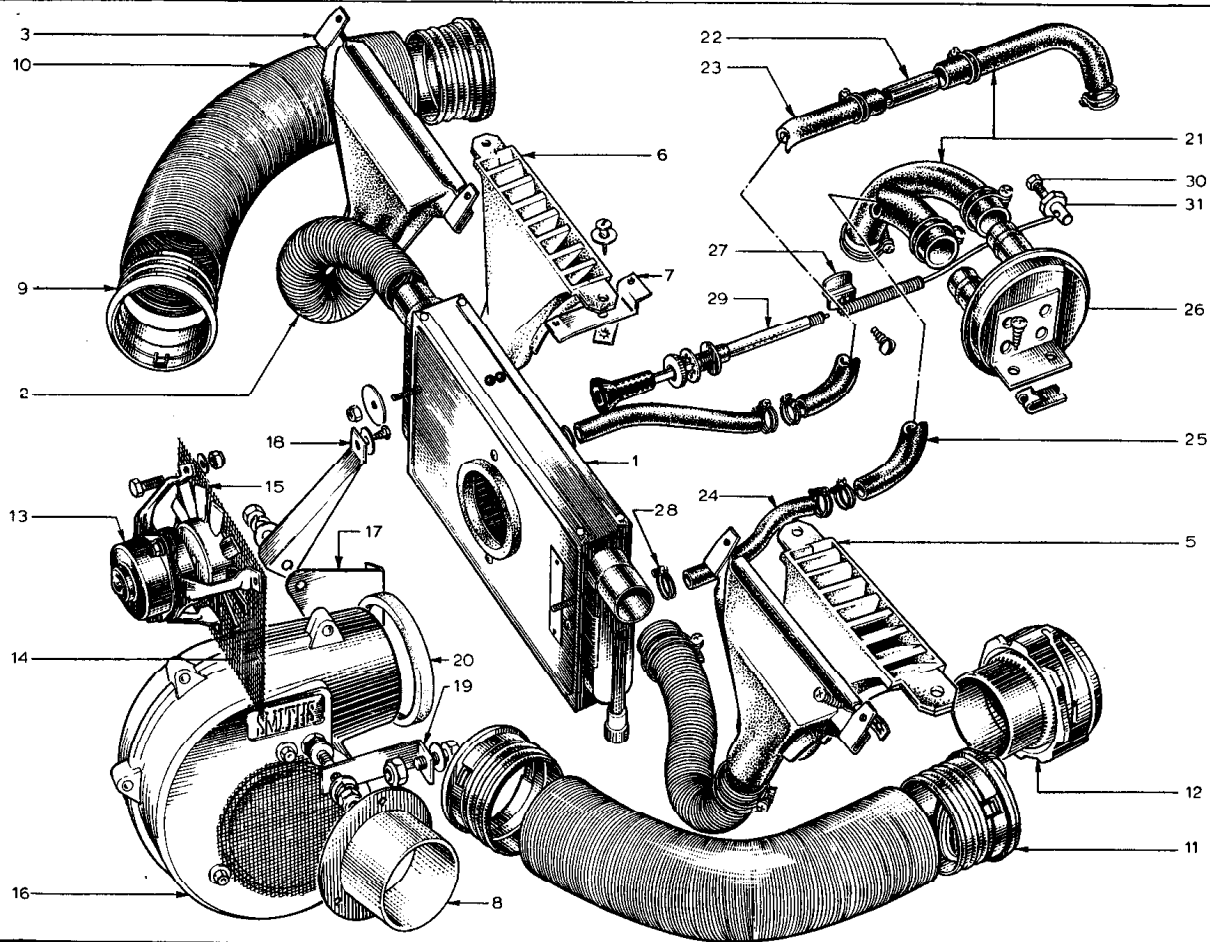


0370

IC-46PL

PLATE Ref: No.	PART No.	QUANTITY					STEERING		DESCRIPTION	CHANGE POINT	BULLETIN REFERENCE
		ALL	ST.	ST. Mk 1	S2.	S2. Fed.	RH	LH			
	XUPB 1012		3	3	3						
	XUPB 1012					3					
	A03W 0806		3	3	3						
	A03W 0806					1					
	YUPN 030F		3	3	3						
	YUPN 030F					3					
	W 0050		3	3	3						
	W 0050					3					
	046 M 6205					-					
PA.16.	A054 M 6082					1					
PA.17.	054 B 1667					1					
PA.18.	054 B 1786					1					
PA.19.	054 B 1666					1					
	PSTS 0406					1					
	A03W 0806					1					
	XUPS 0412					3					
	A04W 1606					3					
	YUPN 040F					3					
PA.20.	026 B 0373					1					
PA.21.	046 P 0022	2									
PA.22.	W 049	1									
PA.23.	046 P 0006	1									
	046 P 0027		2	2							
PA.24.	054 P 0057					2	2				
PA.25.	046 P 0005	1									
PA.26.	046 P 6005	1									
	PSTS 0812	2									
03.70	054 B 6015	2									

PA



QA

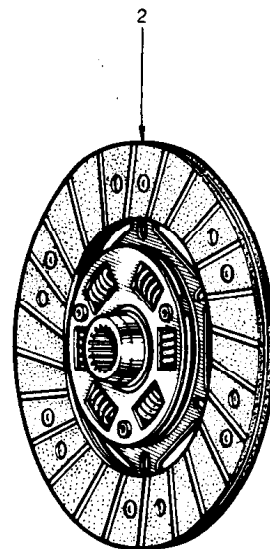
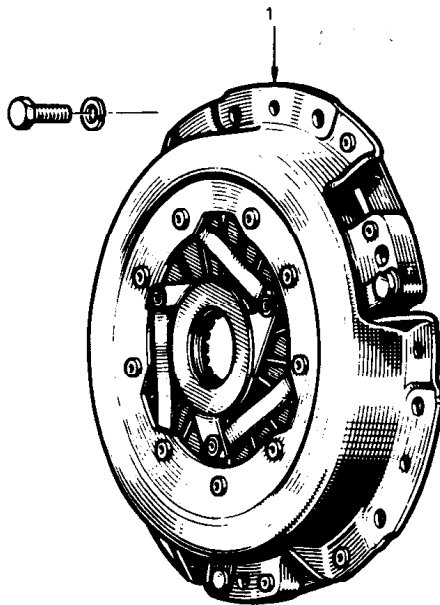
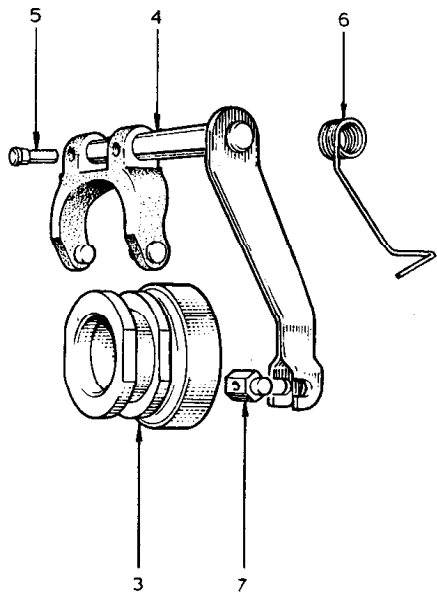


PLATE Ref: No.	PART No.	QUANTITY					STEERING		DESCRIPTION	CHANGE POINT	BULLETIN REFERENCE
		ALL	SI.	SI. Mk I	S2.	S2. Fed.	RH	LH			
	046 Q 6000	1							Clutch Pressure Plate		
QA.1.	046 A 6000A	1							Clutch Pressure Plate		
	046 Q 6001	1							Clutch Centre Plate		
QA.2.	046 Q 6001A	1							Clutch Centre Plate		
	A046 W 6004	6							Bolt) Clutch Pressure Plate to Flywheel		
	A046 W 6018	6							Washer)		
QA.3.	046 F 6118	1							Clutch Release Bearing Assembly		
	046 F 6115	1							Shaft - Clutch Release		
QA.4.	A046 F 6115	1							Shaft - Clutch Release		
QA.5.	046 F 6114	1							Dowel Pin		
QA.6.	046 F 6116	1							Return Spring		
QA.7.	046 F 6117	1							Toggle - Clutch Cable		
	A046 A 0170	1							Clutch Cable Abutment		

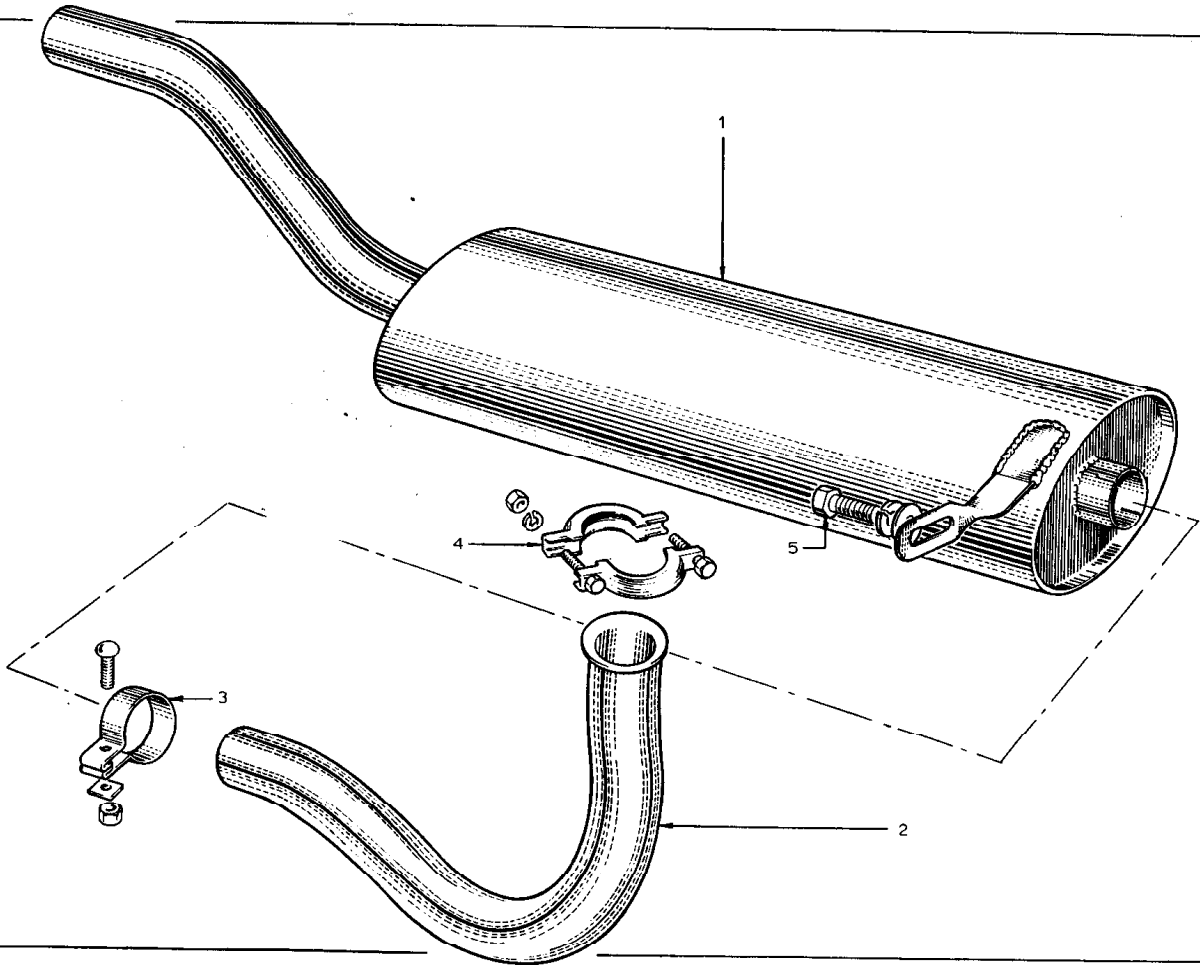


PLATE Ref: No.	PART No.	QUANTITY					STEERING		DESCRIPTION	CHANGE POINT	BULLETIN REFERENCE
		ALL	ST.	ST. Mk 1	S2.	S2. Fed.	RH	LH			
	046 S 0010		-) Replaced by A046 S 0010)) together with:) 1 off A046 S 0002 Down Pipe	Upto Chassis No. 0148	Service 1967/64
	046 S 0093		-								
SA.1.	A046 S 0010	1						Silencer			
	B046 S 0010	1						Silencer	From Chassis No.		
	046 S 0002		-					Replaced by A046 S 0002	Upto Chassis No. 0148	Service 1967/64	
SA.2.	A046 S 0002	1						Down Pipe	From Chassis No. 0149		
	046 S 0104		2	2				Clip)	Upto Chassis No. 0148		
SA.3.	046 S 6026				1	1		Clip) Silencer Mounting	From Chassis No. 0149		
	046 E 6400		-					Replaced by 046 E 6143			
SA.4.	046 E 6143	1						Half Clamp - Down Pipe to Manifold			
	046 E 6401		-					Replaced by 046 E 6467			
	046 E 6467	1						Half Clamp - Down Pipe to Manifold			
	LUPN 050P	2						Nut)			
	A046 W 6018	2						Washer) Down Pipe Clamp			
	XUPS 0512		2	2				Screw)			
	A05W 1007		2	2				Washer)	Upto Chassis No. 0148		
	L05W 0000		2	2				Washer) Clamps to Pipes			
	YUPN 050P		2	2				Nut)			
	046 E 6460	2						Screw)			
	L05W 0000	2						Washer) Silencer Mounting			
	A05W 1007	2						Washer)			
	XUPS 0512				1	1		Screw)	Clamp, Silencer to Down Pipe		
	LUPN 050P				1	1		Nut)			

